

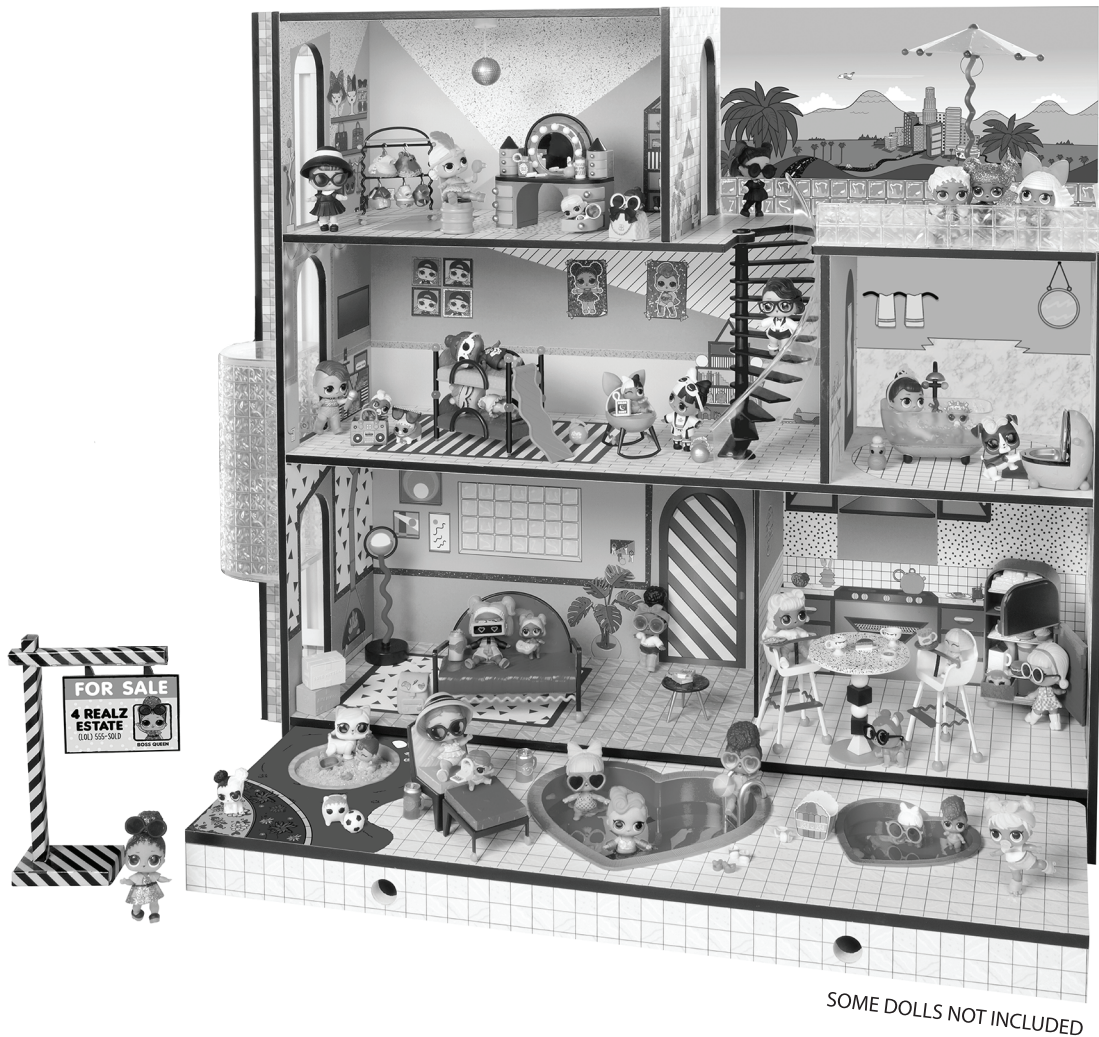
LOL SURPRISE! HOUSE

WARNING:
CHOKING HAZARD—Toy contains
a small ball and small parts.
Not for children under 3 years.

SKU:555001

AGES 3+

ADULT ASSEMBLY REQUIRED



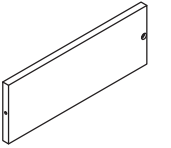
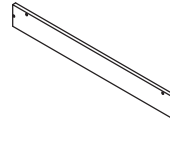
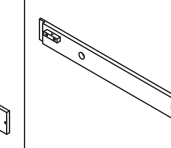
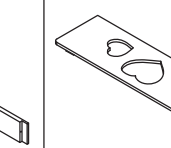
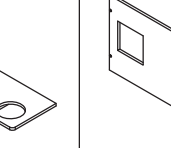
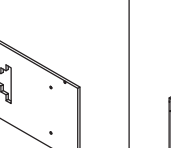
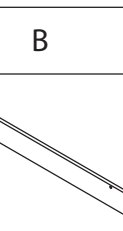
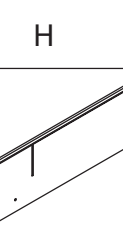
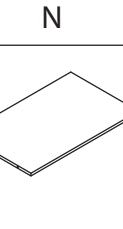
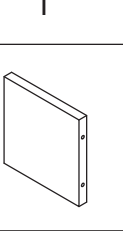
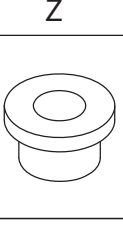

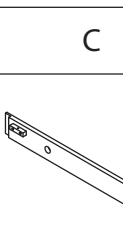
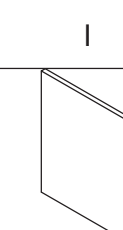
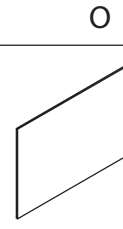

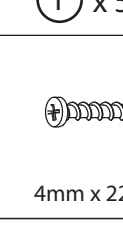
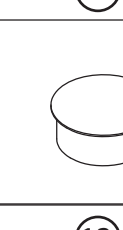
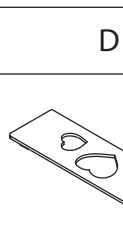
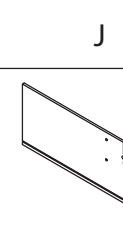
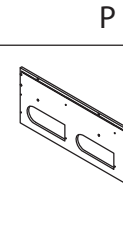
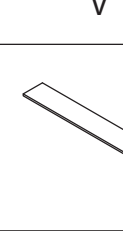

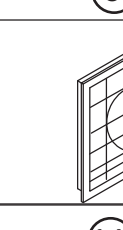
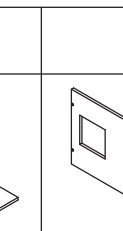
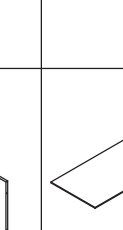
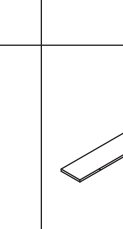
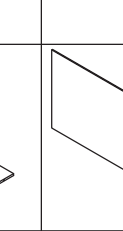
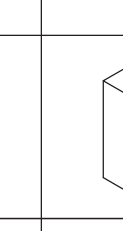
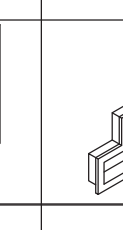

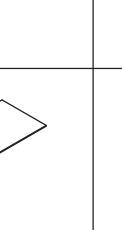
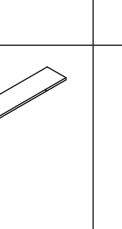
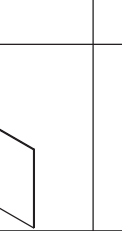

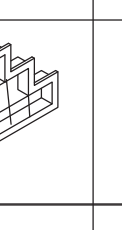
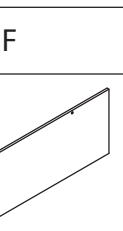
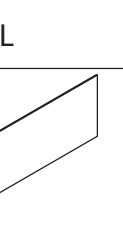

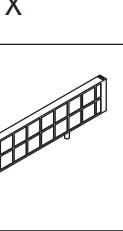
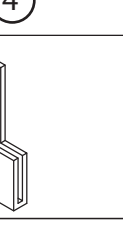

Illustrations are for reference only. Styles may vary from actual contents.

WARNING:

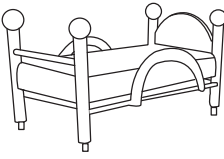
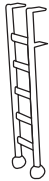
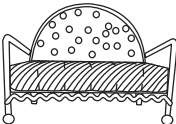

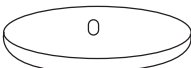

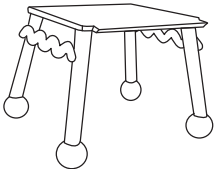
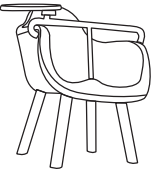
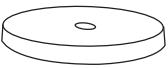
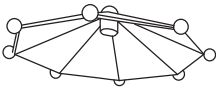

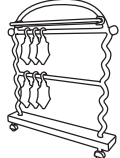
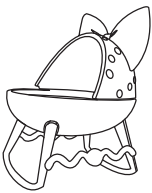
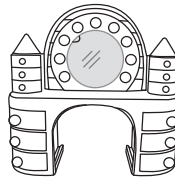


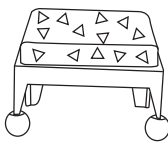


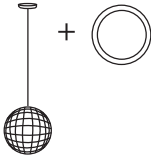

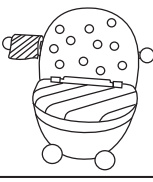
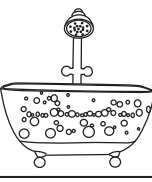

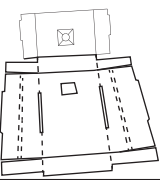

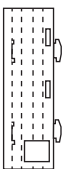


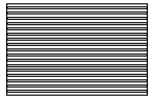
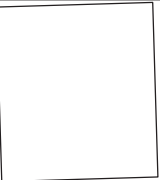

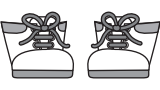
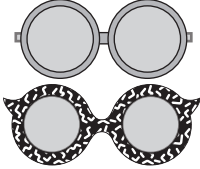
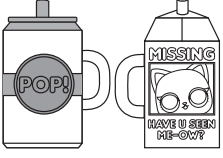
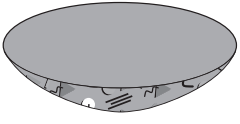
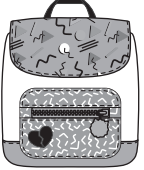
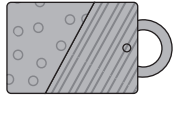



- ADULT ASSEMBLY REQUIRED.
- ADULT SUPERVISION IS REQUIRED when children are playing in or around water.
- Prior to assembly, this package contains small parts: screws which are a choking hazard and may contain sharp edges and sharp points. Keep away from children until assembled.
- Avoid placing the house on an uneven surface or anywhere which might offer the possibility of tipping.
- Do not sit, stand, or jump on the house, as doing so may result in bodily injury and/or damage to the unit.
- Not suitable for children under 3 years of age due to size limitations.
- Remove pull tabs from the toilet and tub before use.
- Do not use water with the toilet.
- Always empty water from the pools and dry thoroughly before storing.
- Only apply stickers to the included house and accessories, as adhesive may not be completely removed from all surfaces.

CONTENTS

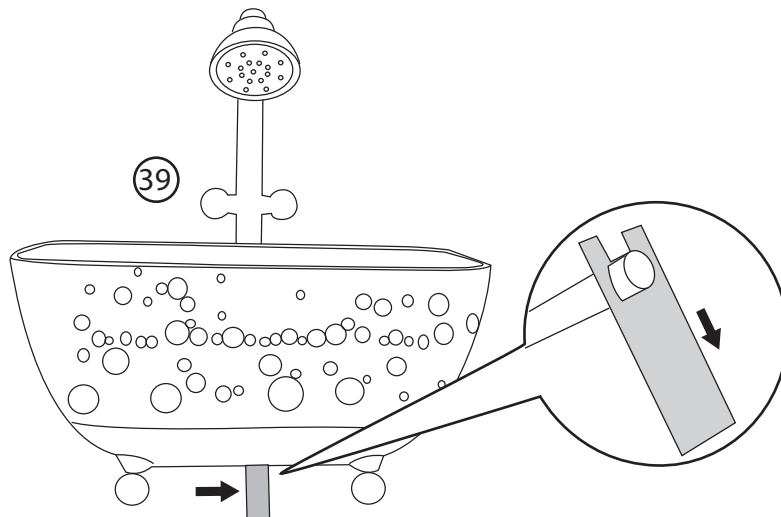
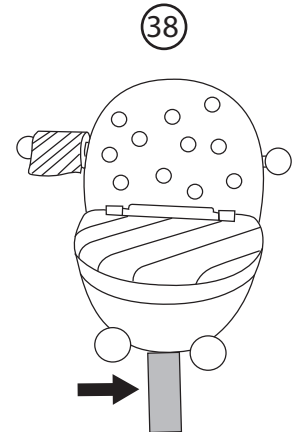
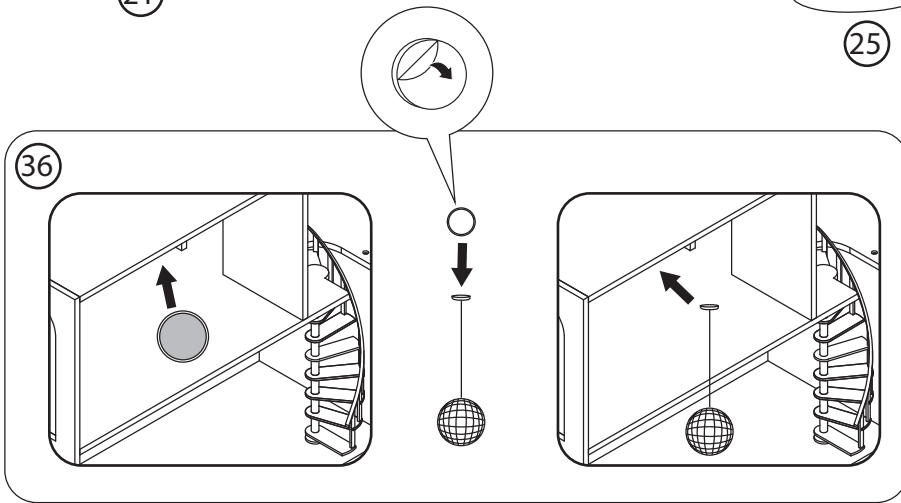
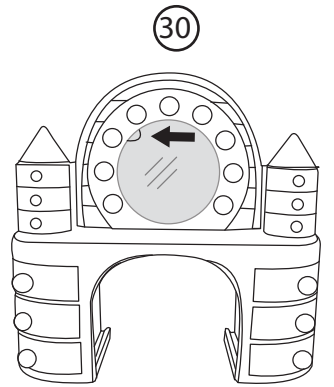
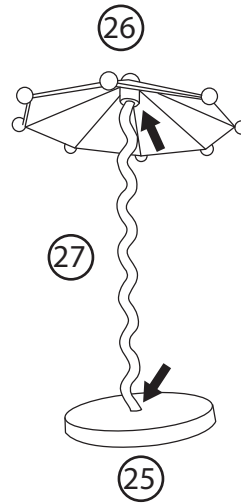
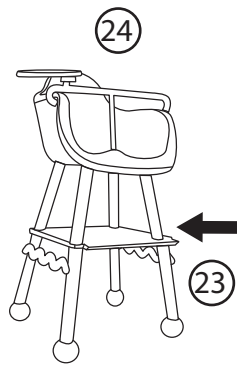
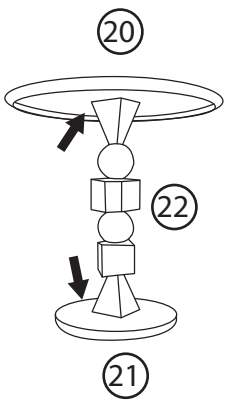
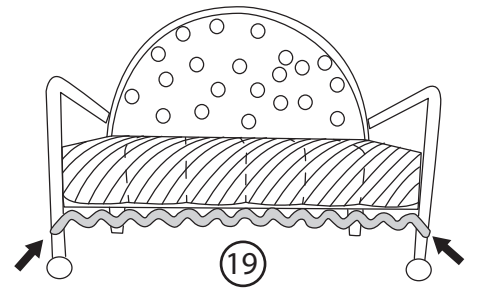
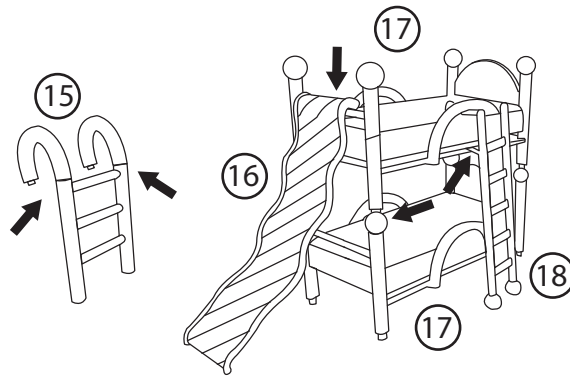
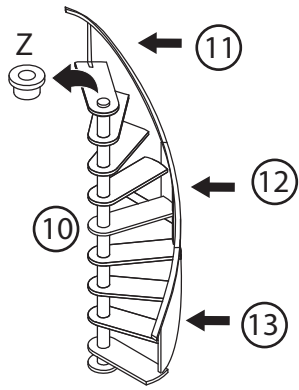
**Before assembling, ensure you have all pieces.
Some furniture assembly may be required prior to assembling the house.**

A x 2	B	C	D	E	F
					
G	H	I	J	K	L
					
M	N	O	P	Q	R
					
S	T	U	V	W	X
					
Y	Z	① x 54	②	③	④
		 4mm x 22mm	 4mm x 16mm		
⑤	⑥	⑦	⑧	⑨	⑩
					
⑪	⑫	⑬	⑭	⑮	⑯
					

CONTENTS

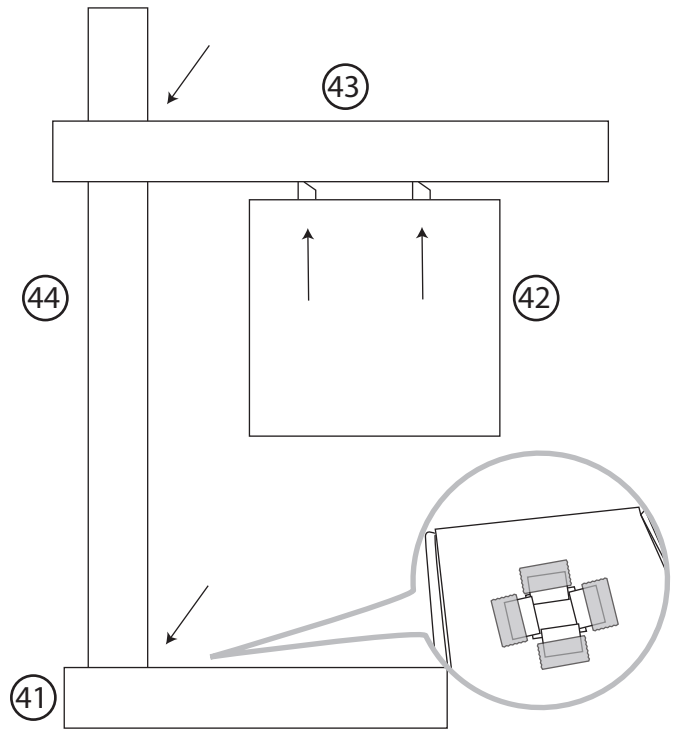
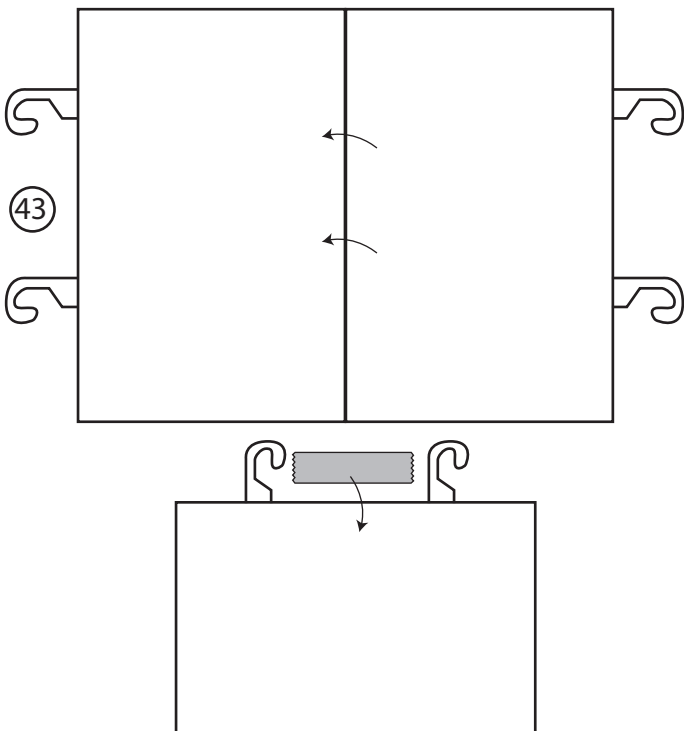
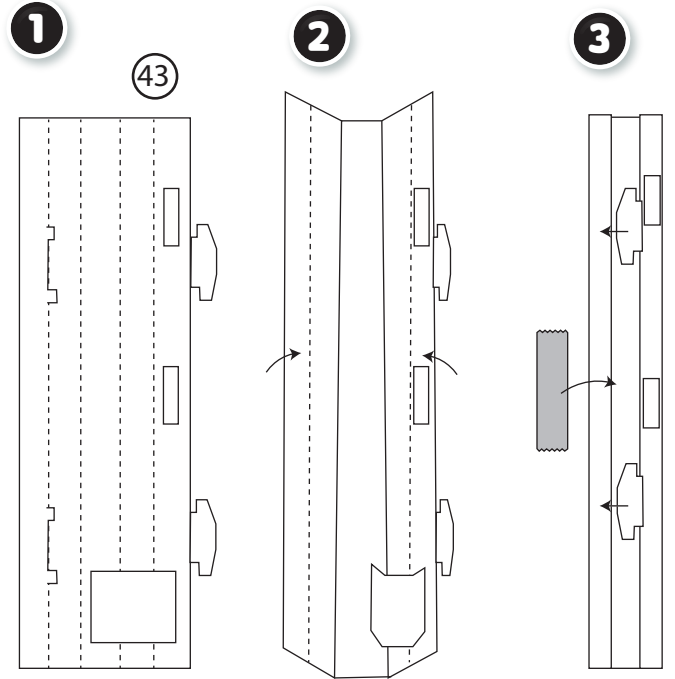
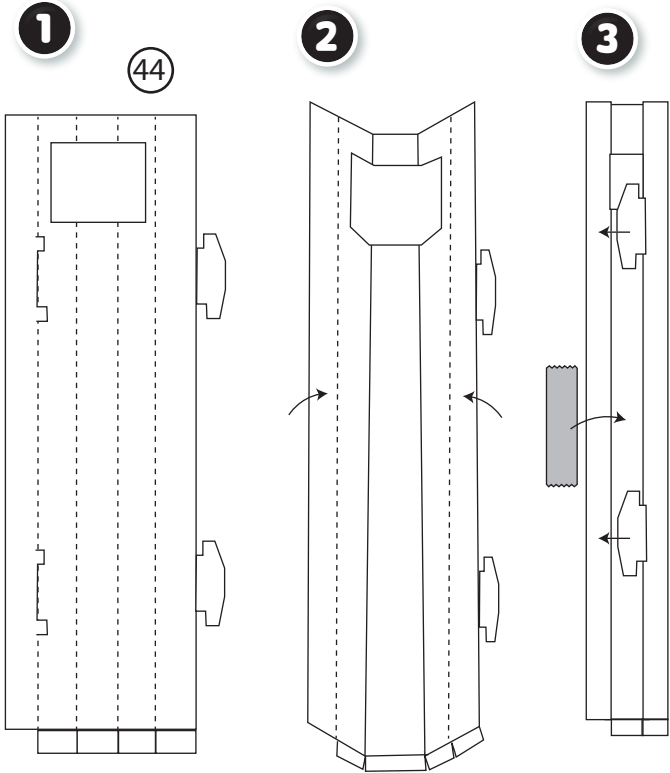
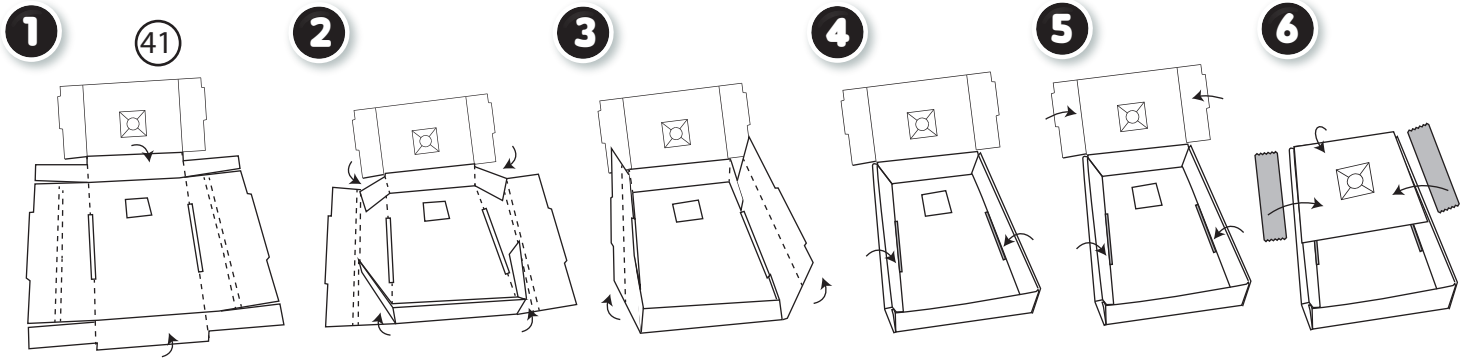
17 x2	18	19	20	21	22
					
23 x2	24 x2	25	26	27	28
					
29	30	31	32	33	34
					
35	36	37	38	39	40
					
41	42	43	44	45	46 x2
					
47 x2	48	49	50 51	52 53	54
					
55	56	57	58	59	
					

FURNITURE ASSEMBLY

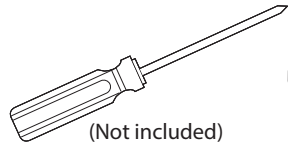


SALE SIGN ASSEMBLY

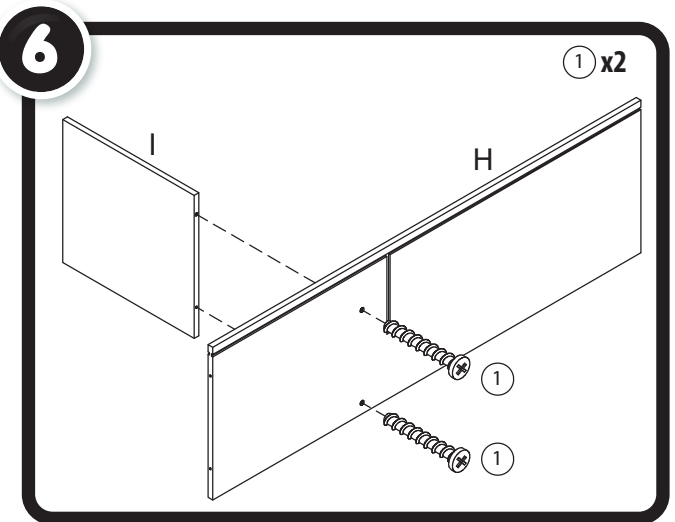
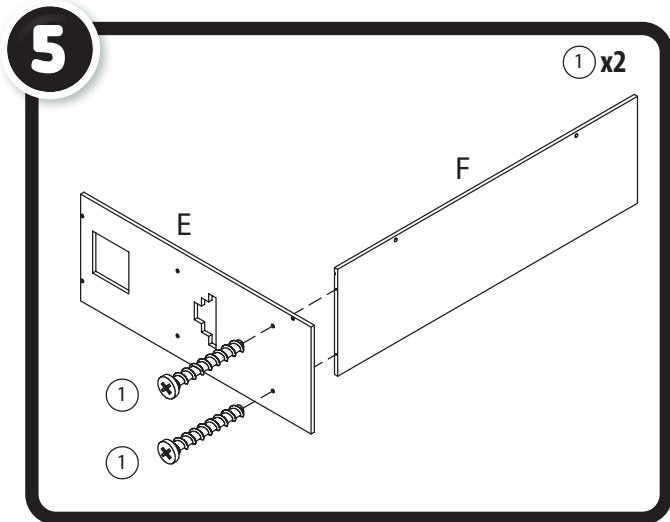
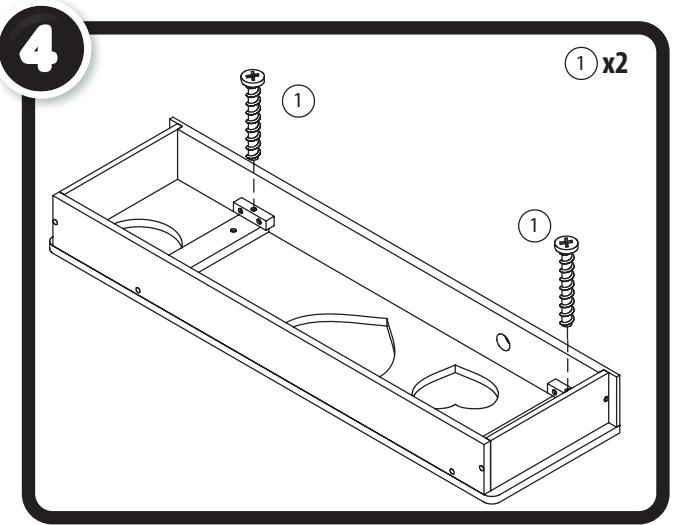
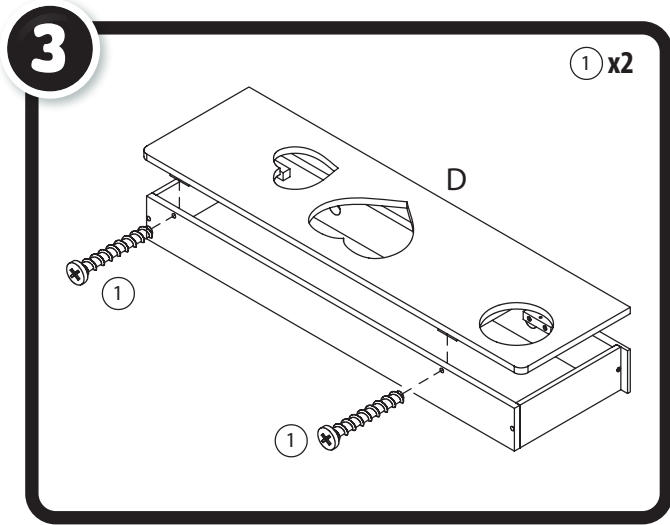
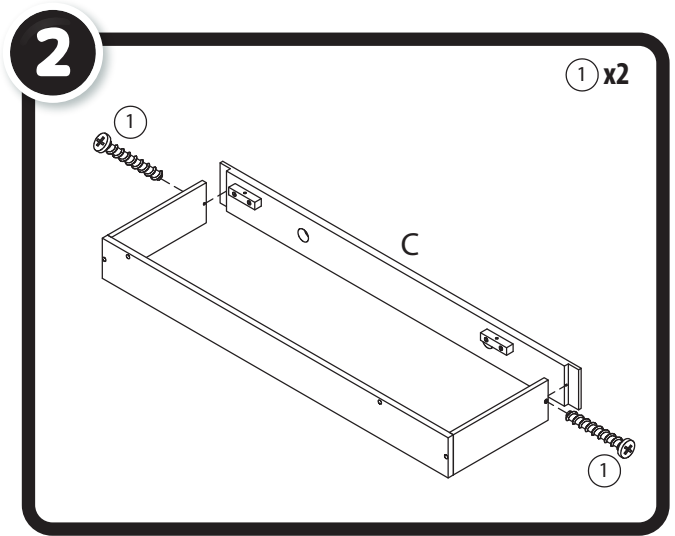
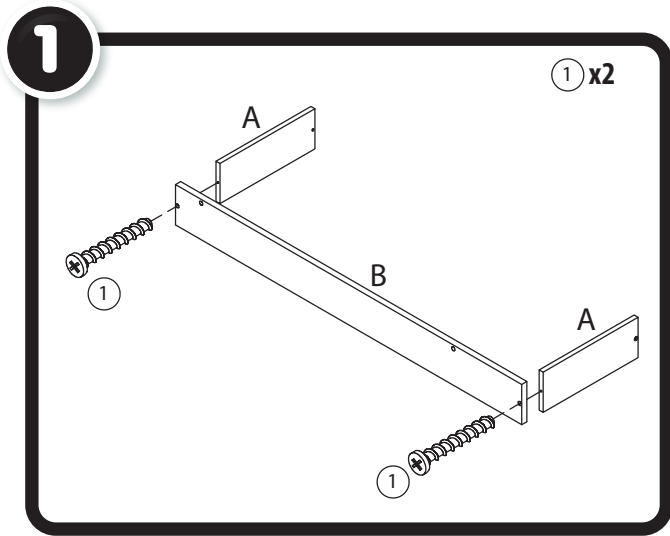
(Tape not included)

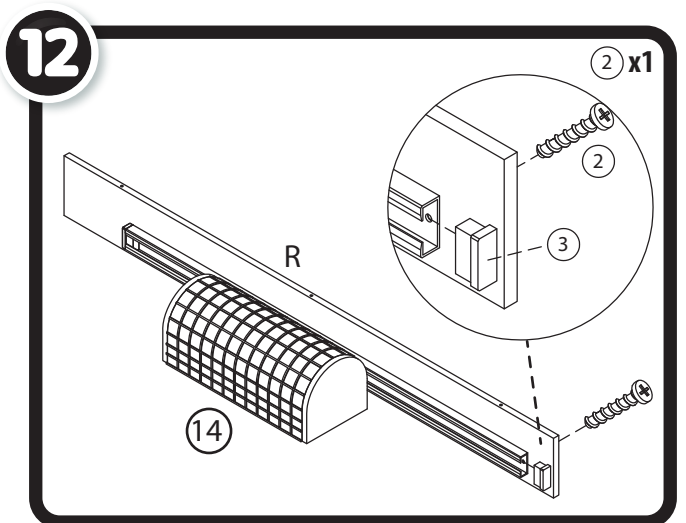
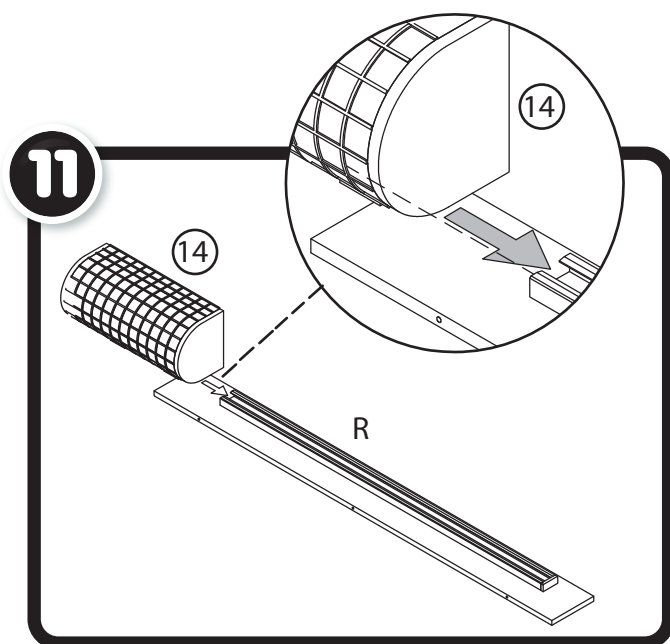
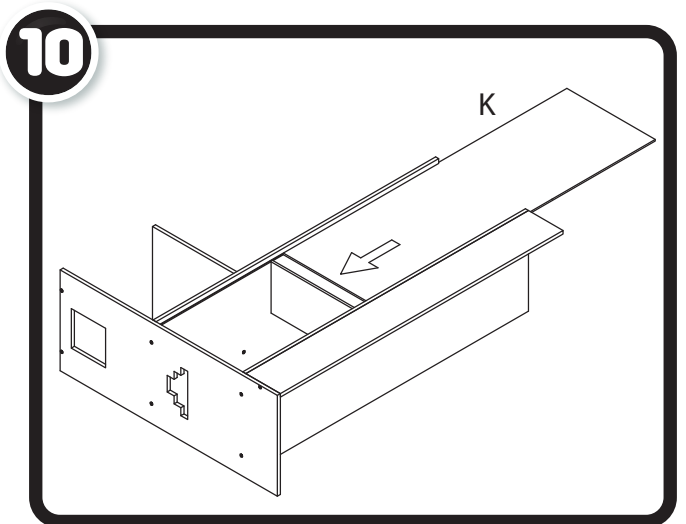
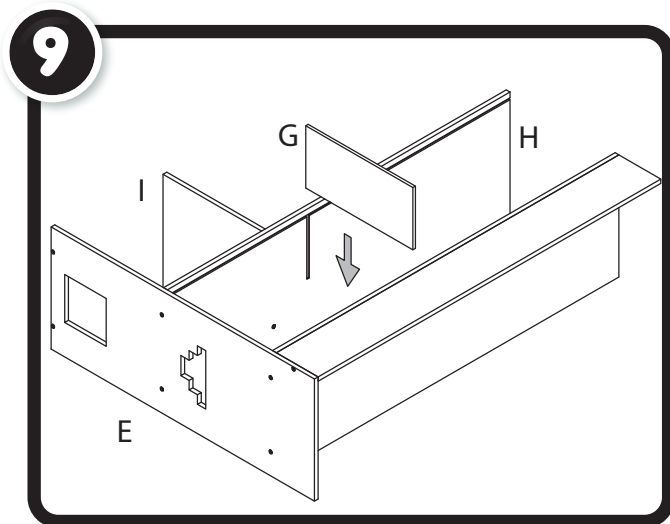
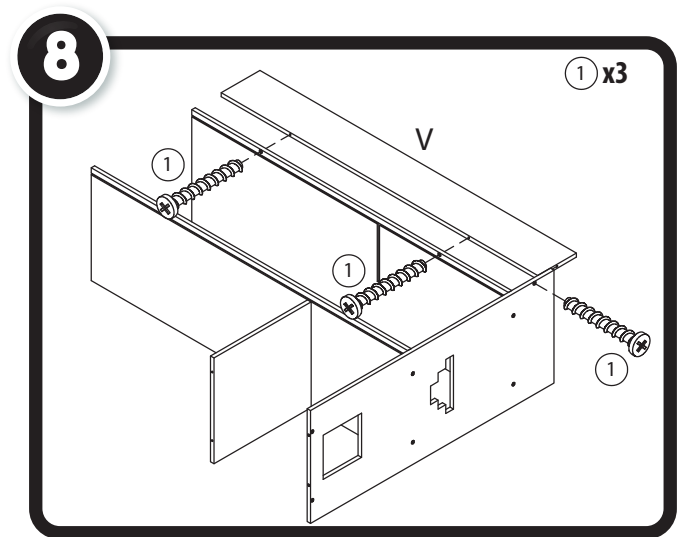
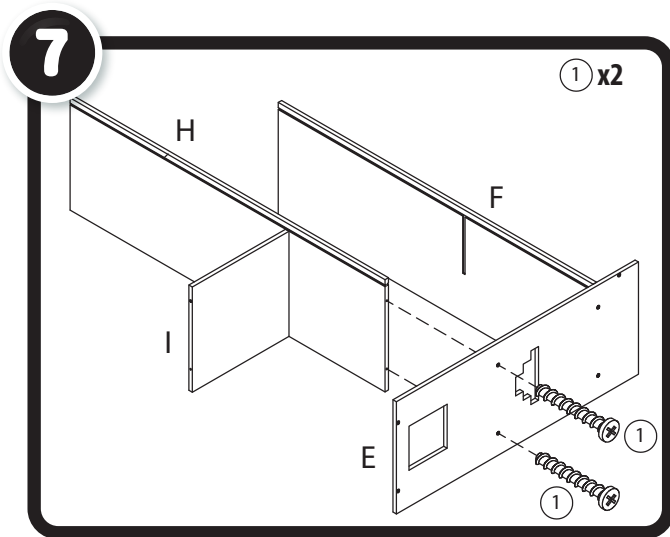


ADULT ASSEMBLY REQUIRED



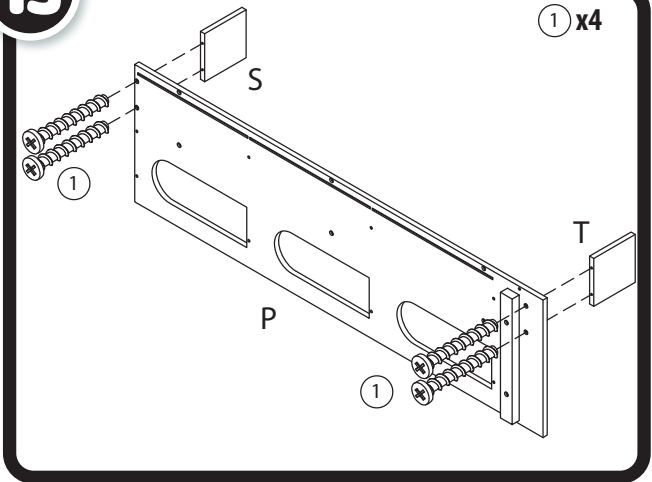
(Not included)



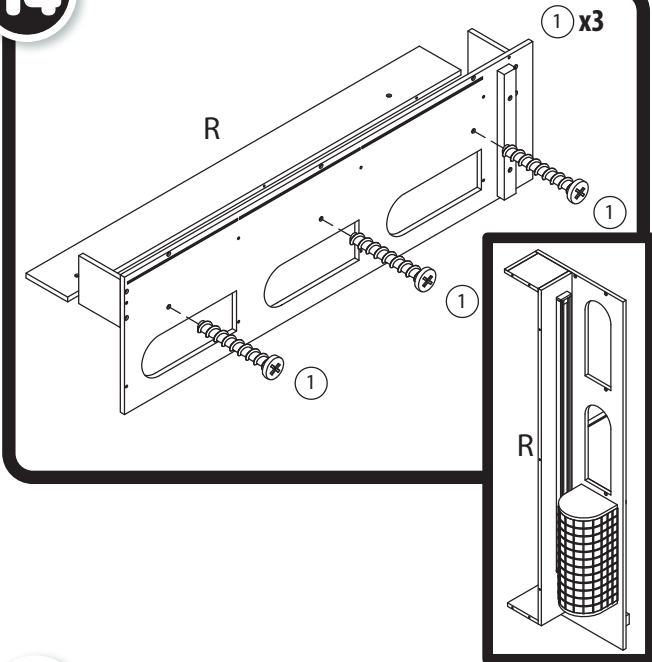


NOTE: 14 is in the moving box marked "OTHER THINGS!" and "STUFF!"

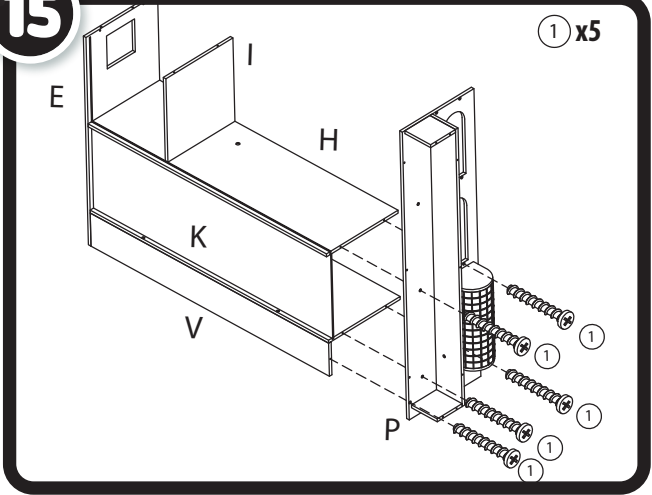
13



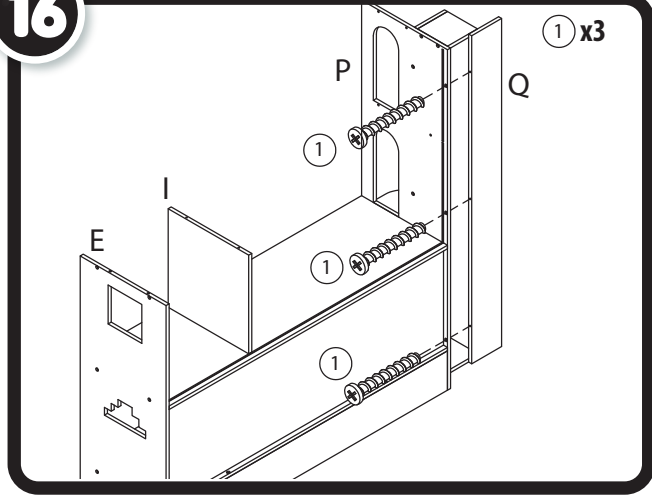
14



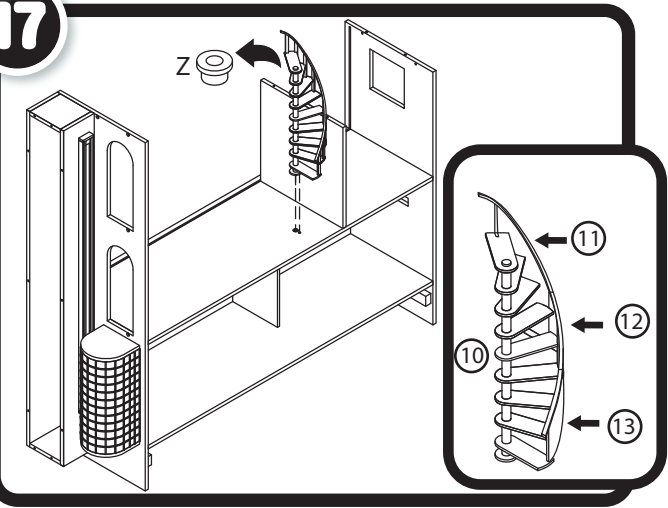
15



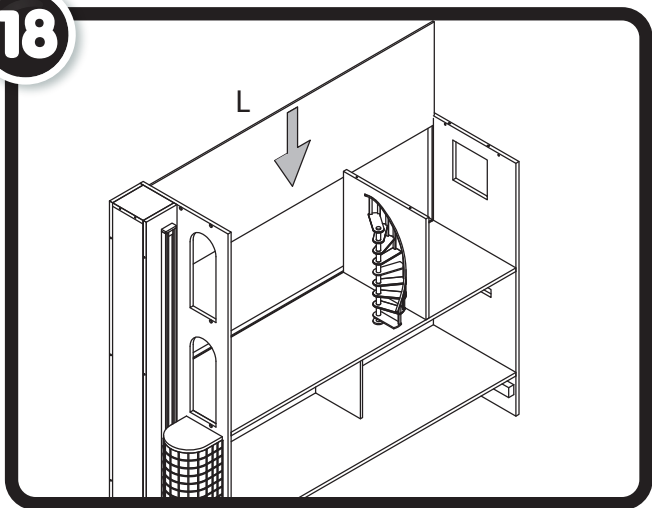
16



17

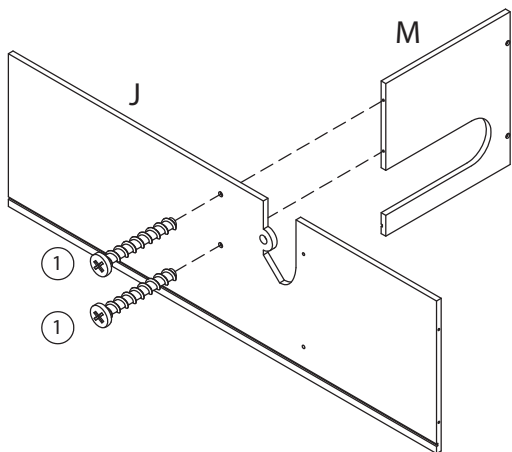


18



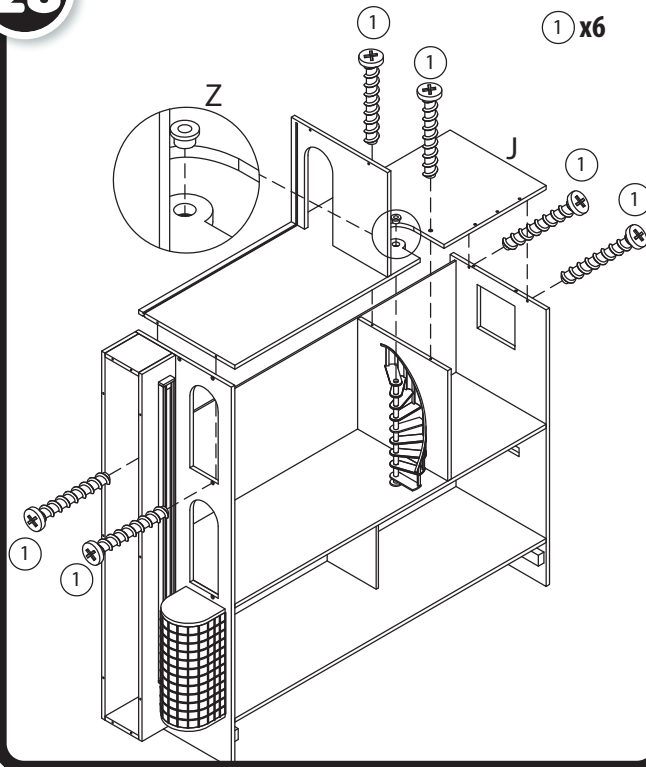
19

① x2

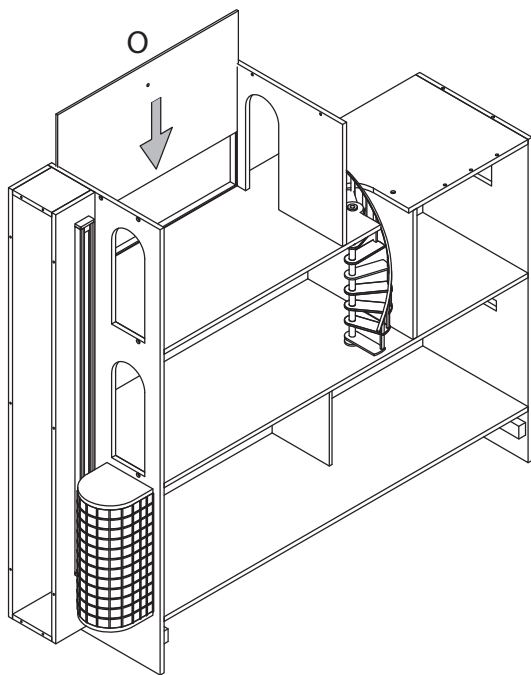


20

① x6

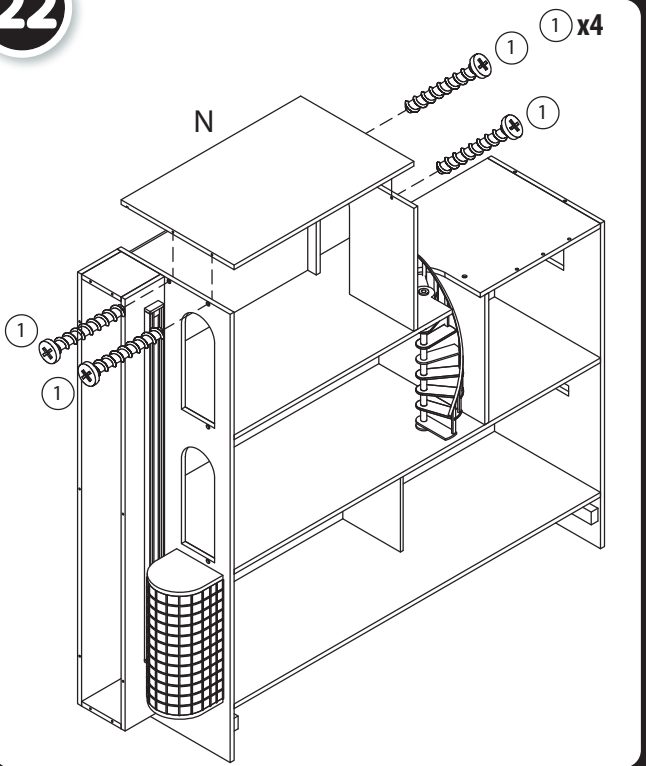


21



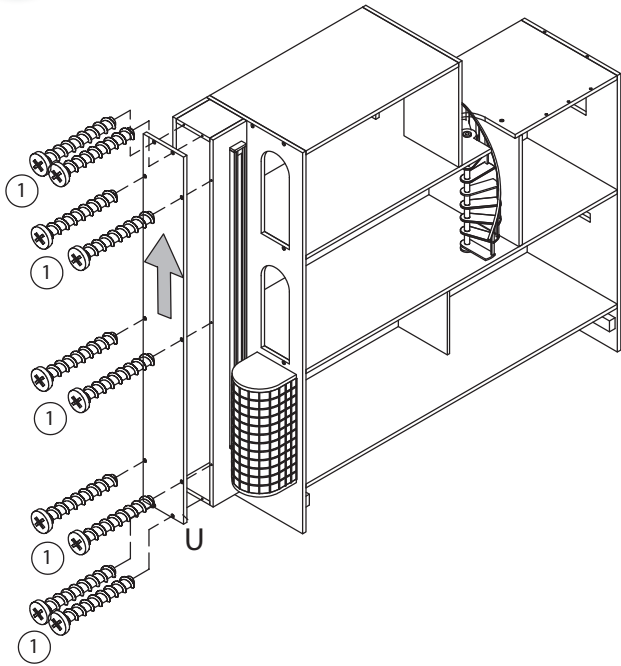
22

① x4



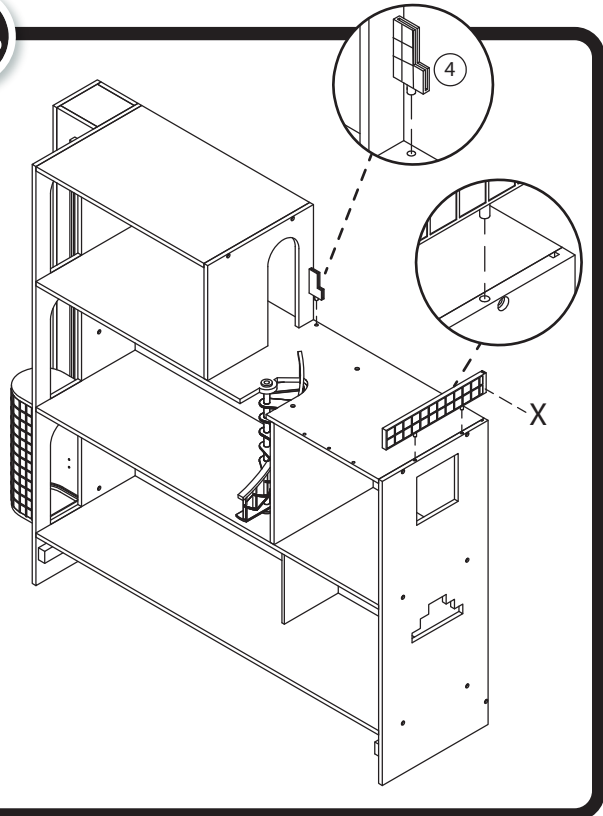
23

① x10



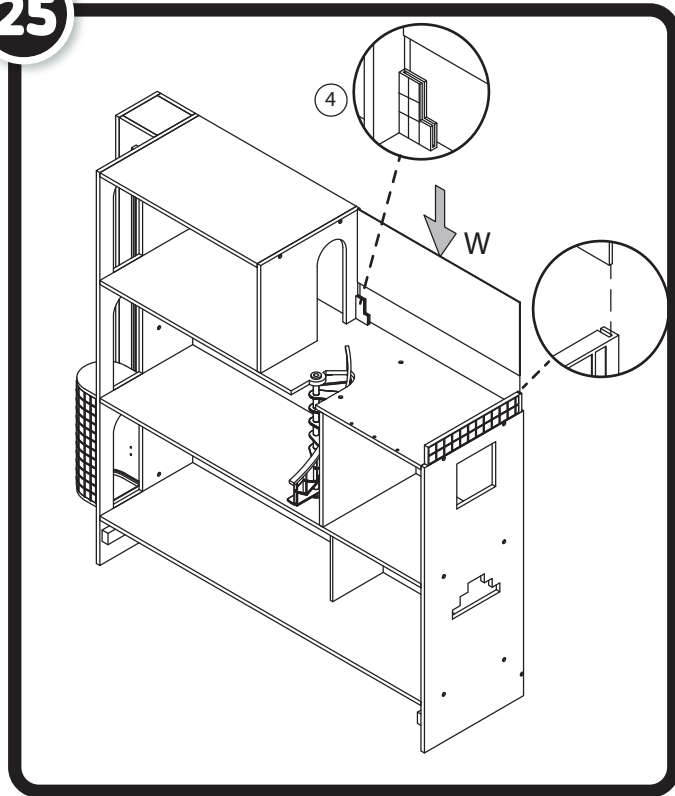
NOTE: Confirm orientation of U before assembling.

24

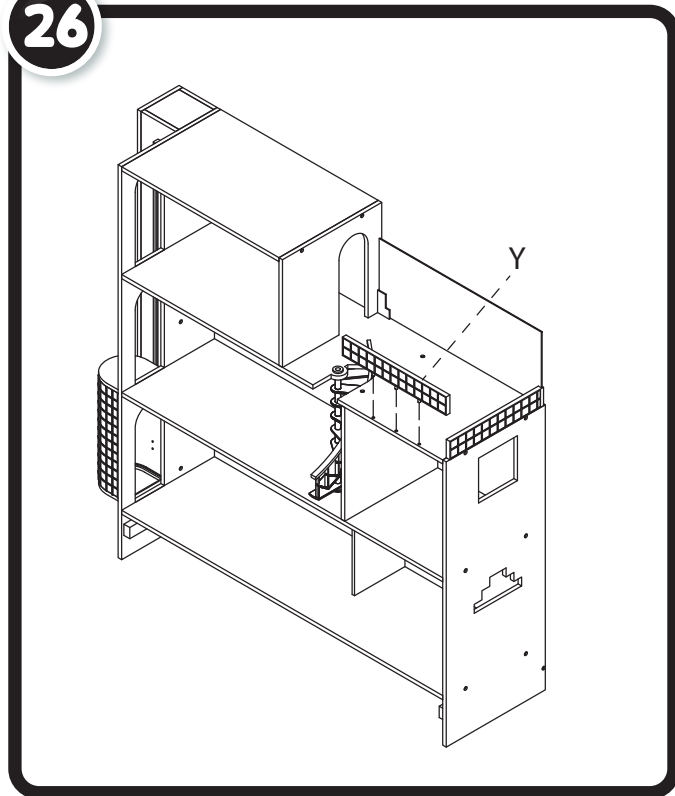


NOTE: 4 and X are in the moving box marked "OTHER THINGS!" and "STUFF!"

25

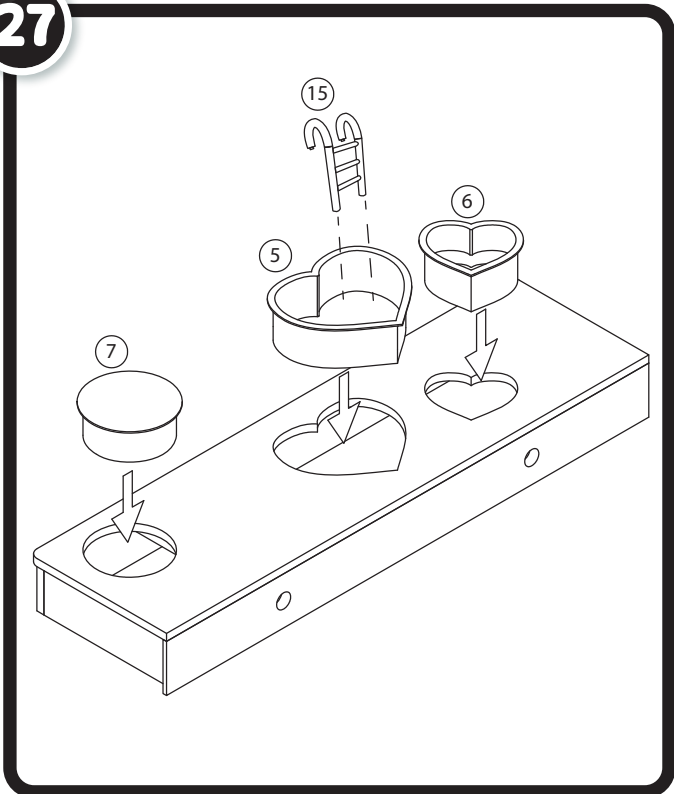


26



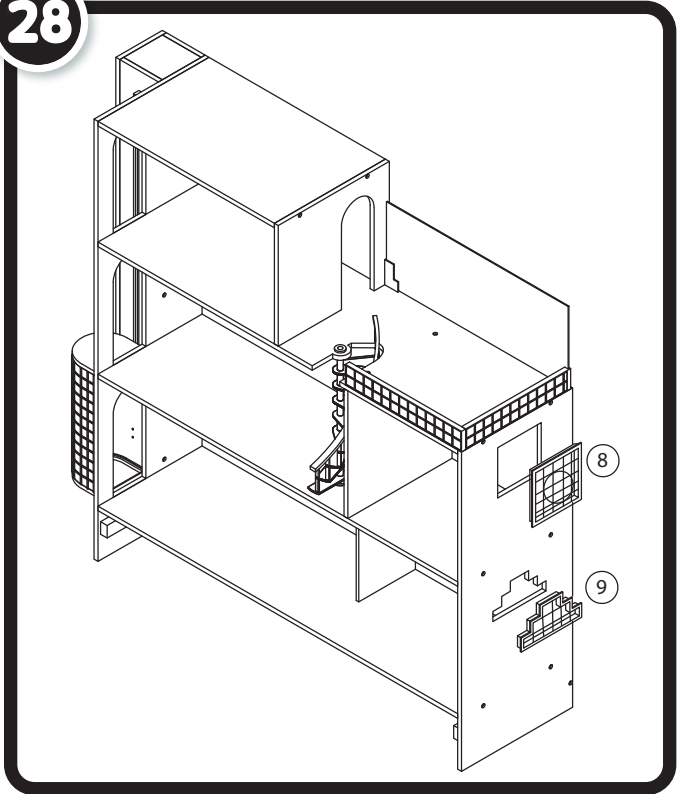
NOTE: Y is in the moving box marked "OTHER THINGS!" and "STUFF!"

27



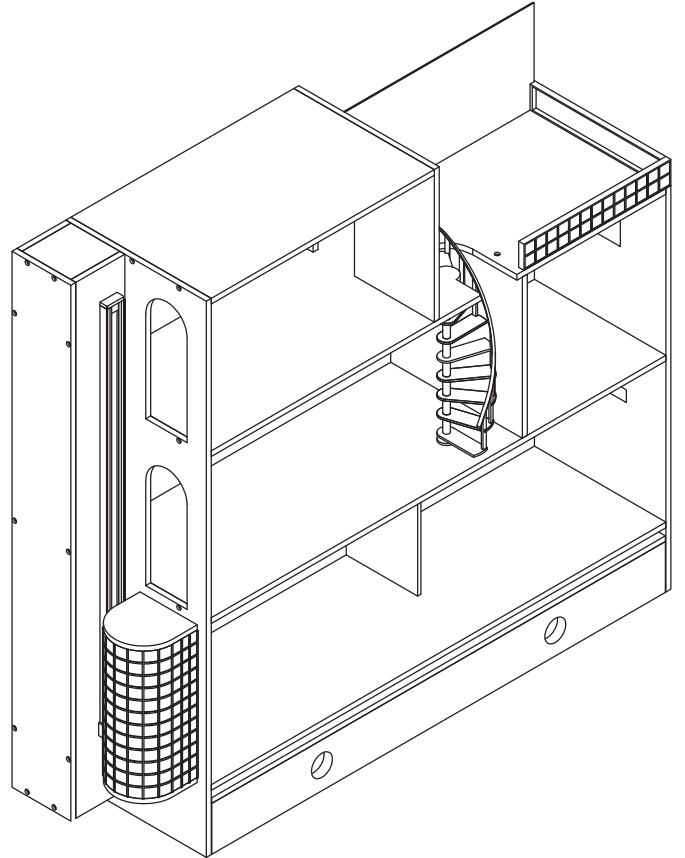
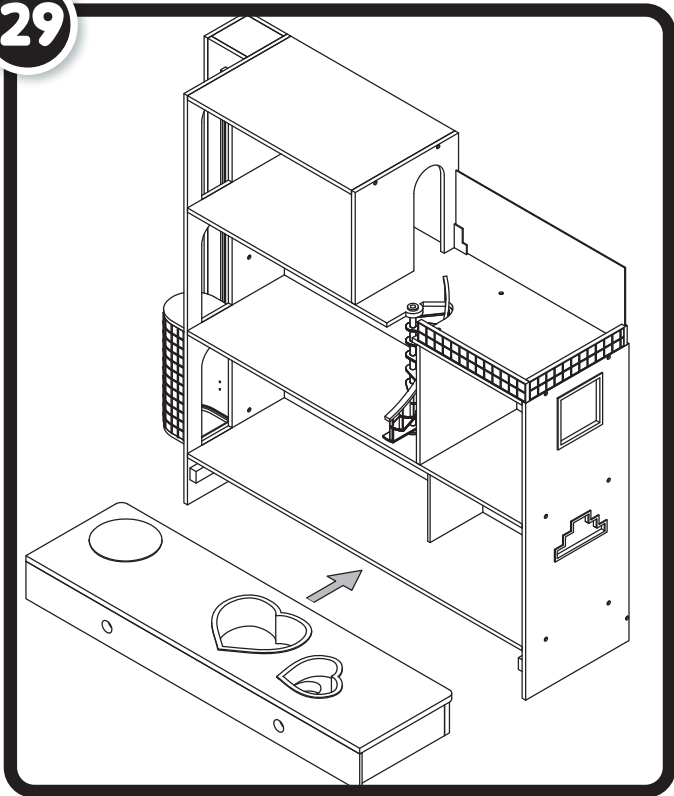
NOTE: 5,6,7 and 15 are in the moving boxes marked "OUTDOORS."

28

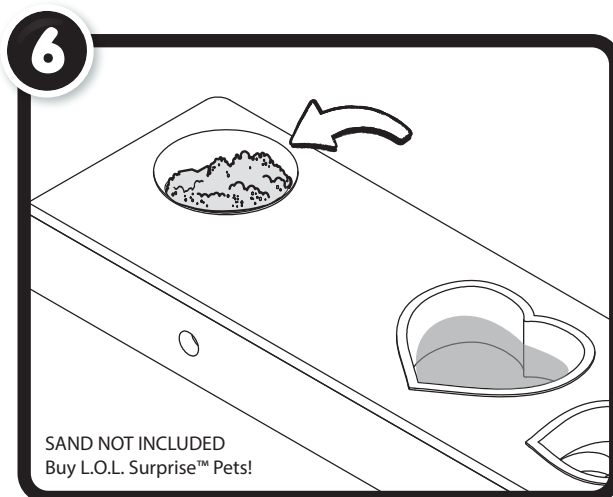
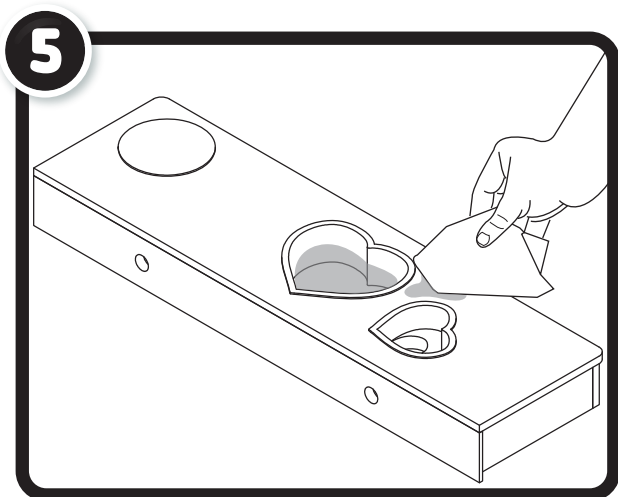
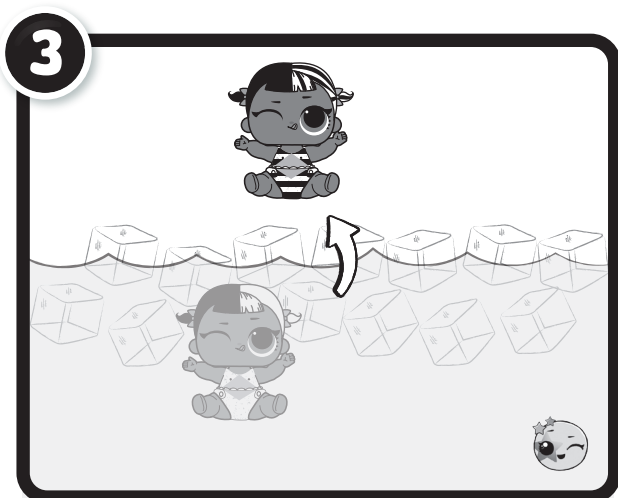
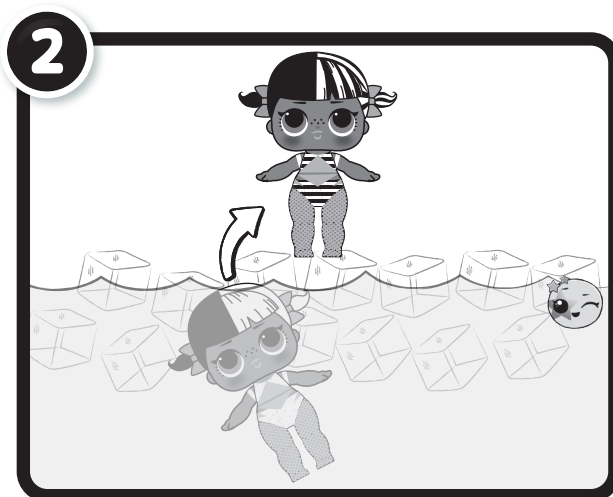
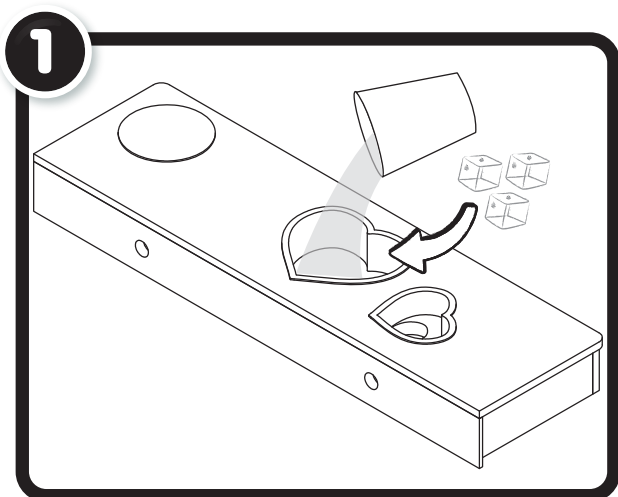


NOTE: 8 and 9 are in the moving box marked "OTHER THINGS!" and "STUFF!"

29



LET'S PLAY!



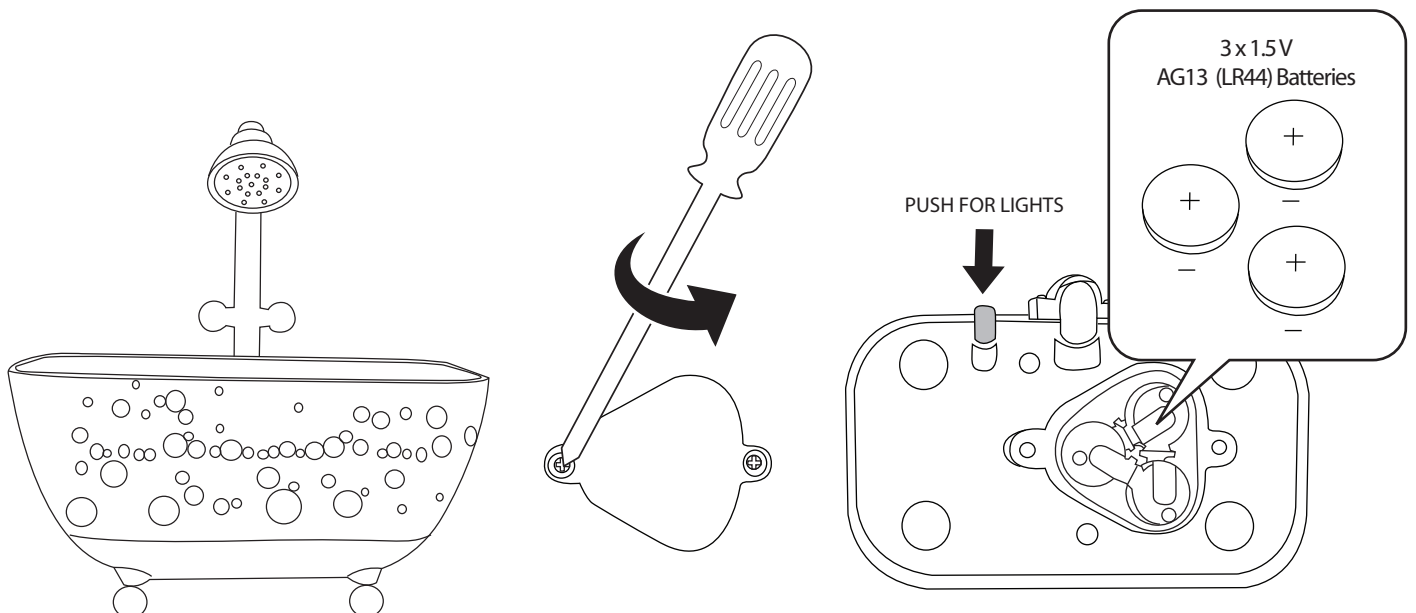
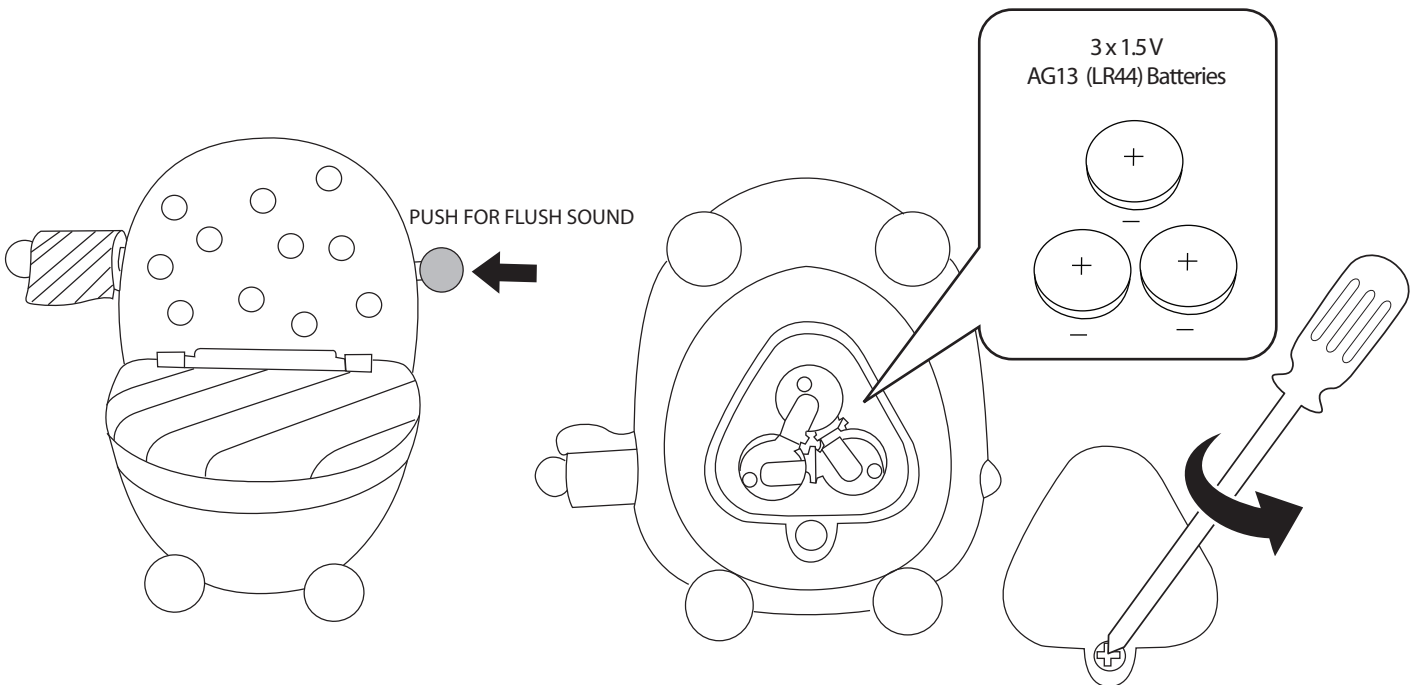
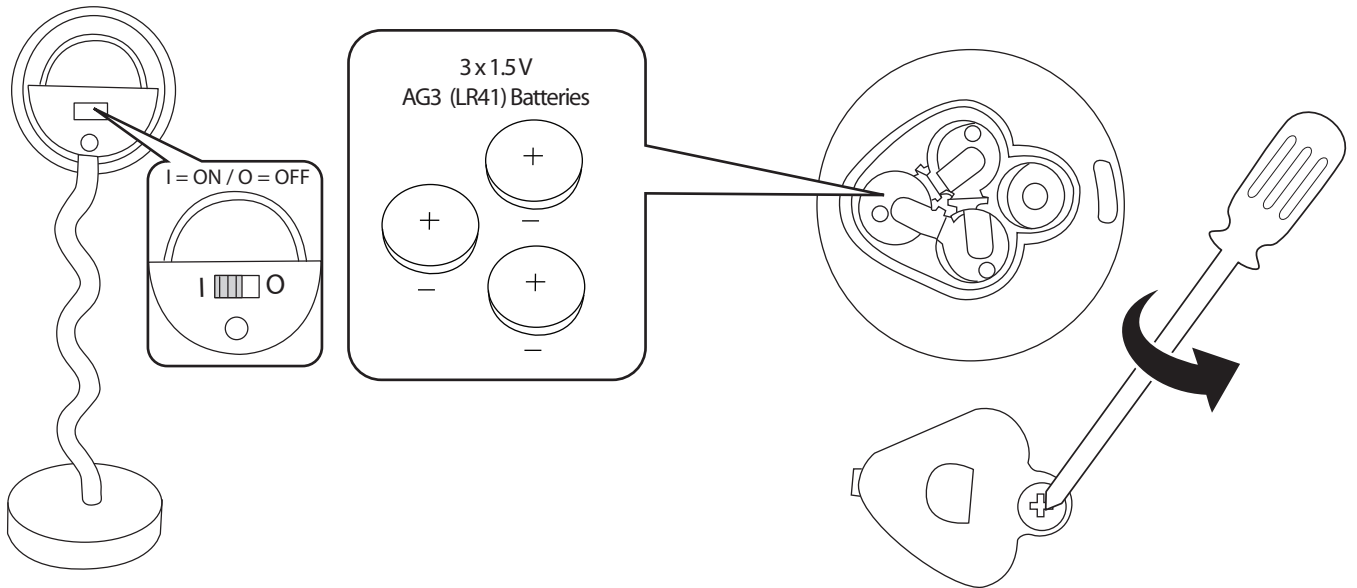
COLOR CHANGE INFORMATION

- Color change will start at approximately 59°F (15°C), but best results occur if the ice water is chilled to approximately 32°F (0°C) or colder.
- If color change does not work properly or quickly, the temperature of the characters' bodies may be too close to the temperature of the water.
- Color change temperatures may vary according to weather conditions.
- The color-change effect of the characters' bodies has a lengthy, but limited lifespan.
- Exposure to sunlight may deactivate color change feature.

IMPORTANT INFORMATION

- Before beginning, cover the play area to protect from possible water damage.
- Do not place the characters in extremely hot water (over 104°F/40°C).
- An adult must be present when children are playing with water.
- Do not store the characters in direct sunlight for extended periods of time.
- Thoroughly dry the characters and pools in a well-ventilated area after use and before storing.
- Immediately wipe up spilled water after playing. To prevent spillage:
 - Carefully lift the pool out of the base and empty the water. Air dry thoroughly before next use.
 - Heart-shaped pool: Only fill water to the second stair.
 - Heart-shaped hot tub: Only fill water to the first stair.
- Air dry the characters only. Do not place in the dryer or subject to excessive heat.

BATTERY REPLACEMENT INFORMATION



SAFE BATTERY USAGE

- Use alkaline batteries for best performance and longer life.
- Use only the type battery recommended for the unit.
- Batteries should be replaced only by an adult.
- Insert batteries with the correct polarity (+ and –).
- Do not mix old and new batteries.
- Do not mix alkaline, standard (carbon-zinc), or rechargeable batteries.
- Do not short-circuit batteries.
- When not used for an extended time, remove batteries to prevent possible leakage and damage to the unit.
- Do not mix rechargeable and non-rechargeable batteries.
- Rechargeable batteries are to be removed from the toy before charging.
- Rechargeable batteries are to be recharged only under adult supervision.
- Do not recharge non-rechargeable batteries.
- Exhausted batteries are to be removed from the toy.
- Do not dispose of batteries in fire as they may leak or explode.

FCC COMPLIANCE

NOTE: This equipment has been tested and found to comply with the limits for a Class B digital device, pursuant to Part 15 of the FCC Rules. These limits are designed to provide reasonable protection against harmful interference in a residential installation. This equipment generates, uses and can radiate radio frequency energy and, if not installed and used in accordance with the instructions, may cause harmful interference to radio communications. However, there is no guarantee that interference will not occur in a particular installation. If this equipment does cause harmful interference to radio or television reception, which can be determined by turning the equipment off and on, the user is encouraged to try to correct the interference by one or more of the following measures:

- Reorient or relocate the receiving antenna.
- Increase the separation between the equipment and receiver.
- Connect the equipment into an outlet on a circuit different from that to which the receiver is connected.
- Consult the dealer or an experienced radio/TV technician for help.

This device complies with Part 15 of the FCC Rules. Operation is subject to the following two conditions: (1) This device may not cause harmful interference, and (2) this device must accept any interference received, including interference that may cause undesired operation.

Caution: Modifications not authorized by the manufacturer may void users authority to operate this device. CAN ICES-3 (B)/NMB-3(B).

WARNING:

This product contains a Button or Coin Cell Battery. A swallowed Button or Coin Cell Battery can cause internal chemical burns in as little as two hours and lead to death. Dispose of used batteries immediately. Keep new and used batteries away from children. If you think batteries might have been swallowed or placed inside any part of the body, seek immediate medical attention.



'Let's care for the environment!'

The wheeled bin symbol indicates that the product must not be disposed of with other household waste. Please use designated collection points or recycling facilities when disposing of the item.

Do not treat old batteries as household waste. Take them to a designated recycling facility.

WALL MOUNTING ASSEMBLY

- For added safety and stability, install the wall mounting hardware.
- Always use wall anchors appropriate to your wall type, like plaster, drywall, concrete, etc.
- When possible, mount to wood studs.
- Consult a qualified professional for mounting.

HARDWARE

A. Screw



B. Small Washer x 2



C. Plastic Strip



D. Plastic Anchor



E. Wood Screw



F. Nut



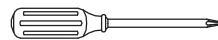
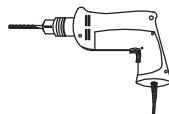
G. Large Washer



H. Wrench

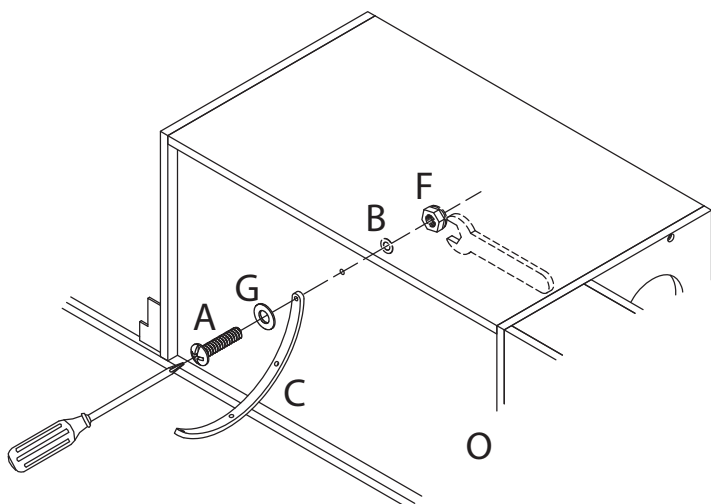


NOT INCLUDED



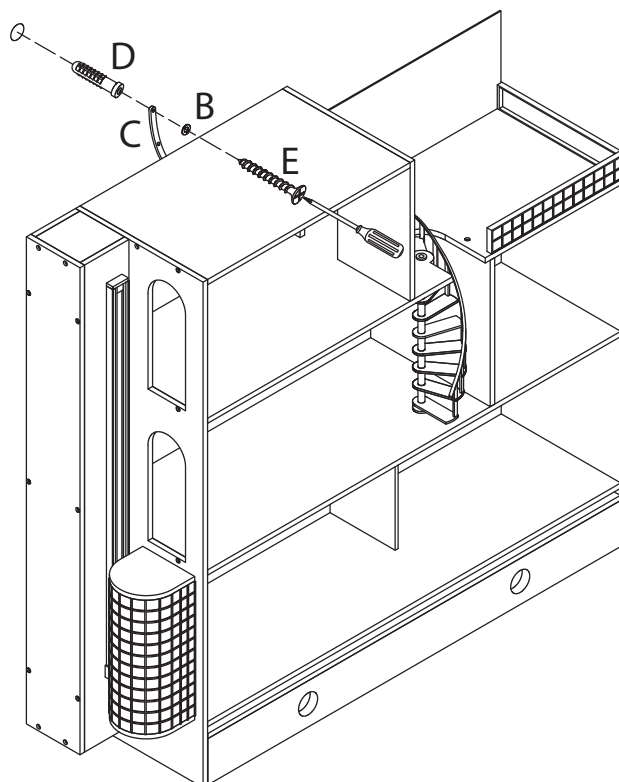
1

Attach the plastic strip to the back of the product. There is a pre-drilled hole on the house's backboard (O).



2

- Use a 1/4" (6.5 mm) drill bit to drill a pilot hole in the wall.
- DO NOT drill an oversized hole, or the anchor will not hold tightly to the wall.
- Tap the wall anchor into the hole.
- Secure the house to the wall with a screw (E) through the plastic strip and into the wall anchor.



⚠ WARNING:

- DO NOT install on a wall where items can fall off and injure a child.
- CHOKING HAZARD: Unassembled parts may be a choking hazard to children 3 years and younger.
- Adult assembly required. Hardware contains small screws with sharp points. Keep unassembled parts out of reach of small children.
- Serious or fatal injuries can occur from furniture tipping over. To prevent the product from tipping:
 - Use mounting hardware to secure the house to a wall. This will reduce, but NOT eliminate, the risk of tipping over.
 - DO NOT allow children to climb on the house.
 - Keep remote controls, toys, and other items that might attract children away from this product.
 - DO NOT place heavy items, like televisions, on top of this product.

Please keep this manual as it contains important information.



0618-1-E/INT

www.LOLsurprise.com
©2018 MGA Entertainment, Inc.
L.O.L. SURPRISE!™ is a trademark of MGA in the
U.S. and other countries. All logos, names,
characters, likenesses, images, slogans, and
packaging appearance are the property of MGA.

16300 Roscoe Blvd.
Van Nuys, CA 91406
U.S.A.
(800) 222-4685
Printed in China

MGA Entertainment UK Ltd.
50 Presley Way
Crownhill
Milton Keynes, MK8 0ES
Bucks, UK
+ 0800 521 558



The preferred method of contact for
Customer Service is through our e-mail
contact form at www.mgae.com