

LIMITED WARRANTY

The Little Tikes Company makes fun, high quality toys. We warrant to the original purchaser that this product is free of defects in materials or workmanship for one year * from the date of purchase (dated sales receipt is required for proof of purchase). At the sole election of The Little Tikes Company, the only remedies available under this warranty will be the replacement of the defective part or replacement of the product. This warranty is valid only if the product has been assembled and maintained per the instructions. This warranty does not cover abuse, accident, cosmetic issues such as fading or scratches from normal wear, or any other cause not arising from defects in material and workmanship. *The warranty period is three (3) months for daycare or commercial purchasers. U.S.A and Canada: For warranty service or replacement part information, please visit our website at www.littletikes.com, call 1-800-321-0183 or write to: Consumer Service, The Little Tikes Company, 2180 Barlow Road, Hudson OH 44236, U.S.A. Some replacement parts may be available for purchase after warranty expires—contact us for details. Outside U.S.A and Canada: Contact place of purchase for warranty service. This warranty gives you specific legal rights, and you may also have other rights, which vary from country/state to country/state. Some countries/states do not allow the exclusion or limitation of incidental or consequential damages, so the above limitation or exclusion may not apply to you.

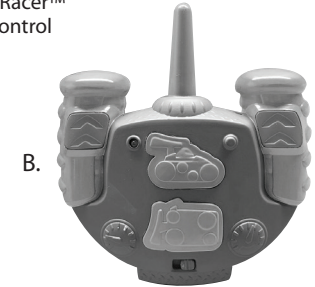
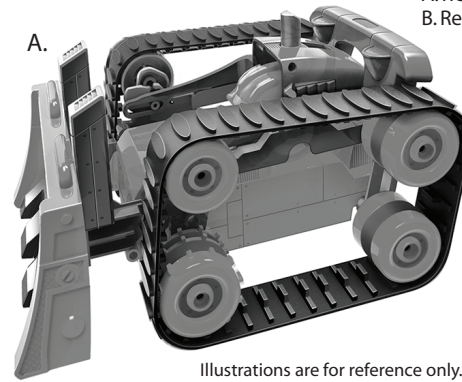


RC DOZER RACER™

SKU: 646997
AGES 3+ YEARS
ADULT SUPERVISION RECOMMENDED
ADULT BATTERY INSTALLATION REQUIRED

CONTENTS

- A. RC Dozer Racer™
- B. Remote Control



Illustrations are for reference only. Styles may vary from actual contents.

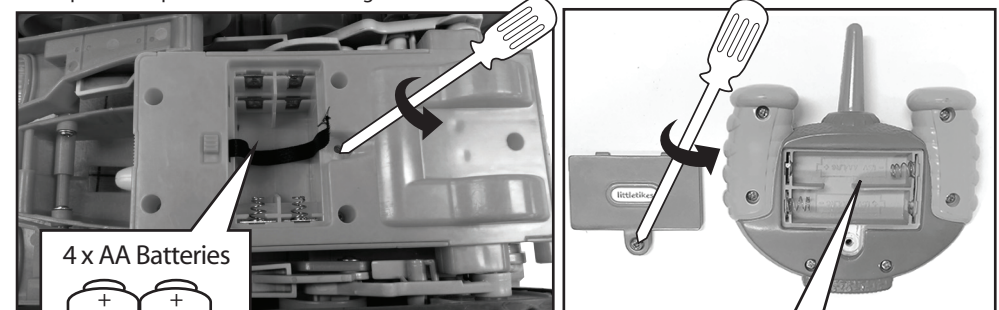
BATTERY INSTALLATION

Before playing, an adult must install fresh alkaline batteries in the car and remote. Here's how:

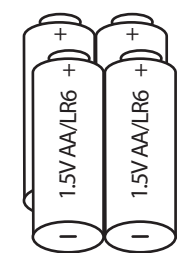
1. Using a Phillips screwdriver (not included) remove the screw and battery compartment cover from the underside of the car.
2. Install four (4) fresh 1.5V AA alkaline batteries (not included) in the car making sure the (+) and (-) ends face the proper direction as indicated inside the battery compartment.

NOTE: Car batteries are layered with two batteries inserted on the bottom layer and two remaining batteries above it. Position ribbon inside the battery compartment as shown before installing batteries. Ribbon will aid in battery removal when batteries need to be replaced.

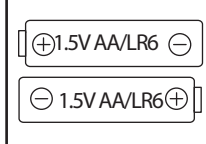
3. Install two (2) fresh 1.5V AA alkaline batteries (not included) into the remote making sure the (+) and (-) ends face the proper direction as indicated inside the battery compartment.
4. Replace compartment covers and tighten the screws.



4 x AA Batteries



2 x AA Batteries



Please keep this manual as it contains important information.



0418-0-E/INT

© The Little Tikes Company, an MGA Entertainment company. LITTLE TIKES® is a trademark of Little Tikes in the U.S. and other countries. All logos, names, characters, likenesses, images, slogans, and packaging appearance are the property of Little Tikes.

Little Tikes Consumer Service
2180 Barlow Road Hudson, Ohio 44236
U.S.A.
1-800-321-0183
Printed in China

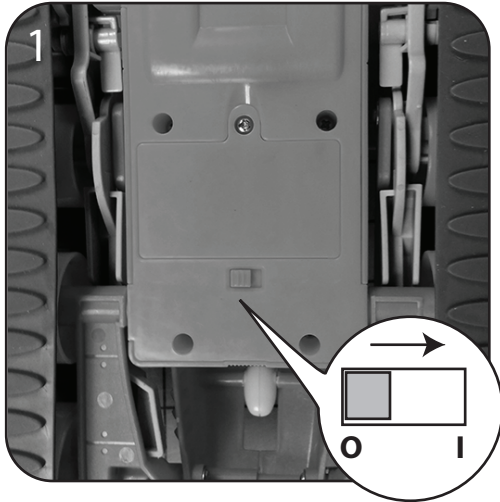
MGA Entertainment UK Ltd
50 Presley Way
Crownhill
Milton Keynes
MK8 0ES
Bucks, UK
0800 521 558

www.littletikes.com
www.littletikes.co.uk

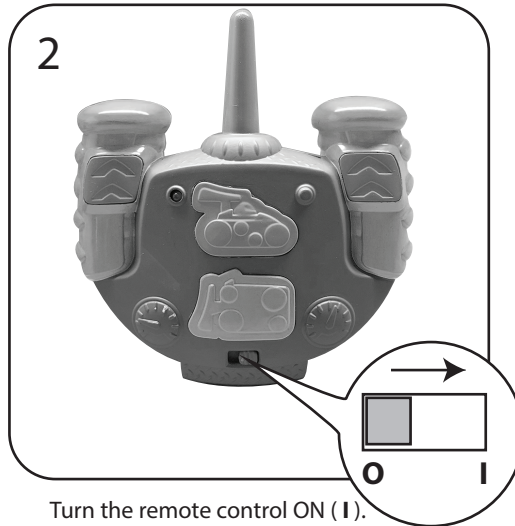


QUICK START

For best results use on a hard, flat surface in a large open area.

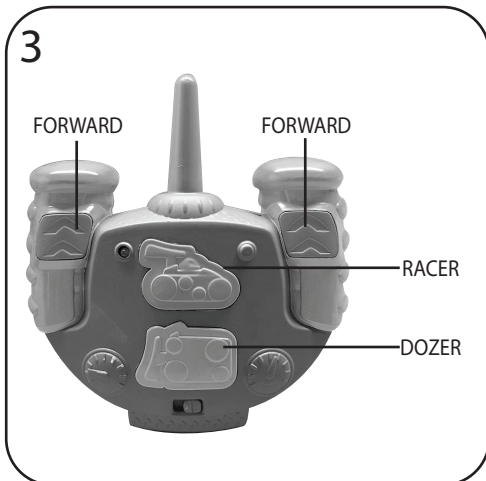


Turn the car ON (I).

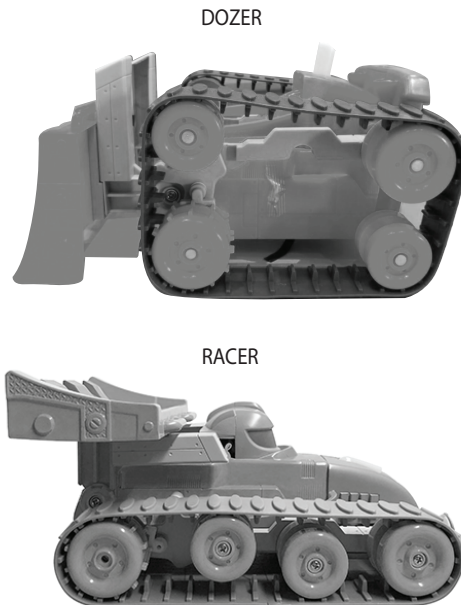


Turn the remote control ON (I).

NOTE: To properly pair the car and the remote control turn the car ON (I) first. Then, turn on the remote. The red light on the remote control will blink red until it is paired. The light remain solid once they are paired and ready to drive.



Transform the car from racer to dozer with the center buttons on the remote control. Drive the vehicle forward by pressing both arrow buttons at once. To turn left or right, press only the left or right arrow button.



IMPORTANT INFORMATION

- Do not play with the unit in the street or where there is vehicular traffic or in heavily traveled areas with pedestrians.
- Do not stand on, sit on or throw the car or remote as doing so can result in injury to the person and irreparable damage to the unit.
- Avoid running the car into furniture, walls, pets, people etc., as doing so may cause injury to the people and pets and irreparable damage to the unit.
- Avoid driving the car through water, mud, etc.
- Keep long hair and loose apparel, such as shoestrings, away from the rotating wheels of the unit.
- It is recommended to drive the car on hardwood flooring.
- Keep the remote controls in range to operate the car correctly.
- If the car is not functioning properly (jams or makes noises), turn the remote and car OFF (O), and manually transform the car to the racer position. Then, turn ON (I) the remote and car again.
- If car runs slowly, replace the batteries.
- Turn off both the car and remote after use to conserve battery power.
- Wipe the unit clean with a damp cloth. Keep moisture away from the battery compartment.
- Frequency band range is 2.400GHz - 2.480GHz.
- Maximum radio-frequency power is 5dBm.

BATTERY SAFETY INFORMATION

- Use only size "AA" (LR6) alkaline batteries (6 required).
- Charging of rechargeable batteries should only be done under adult supervision.
- Remove rechargeable batteries from the product before recharging.
- Do not mix old and new batteries.
- Do not mix alkaline, standard (carbon-zinc), or rechargeable batteries.
- Be sure to insert the batteries correctly and follow the toy and battery manufacturer's instruction.
- Always remove exhausted or dead batteries from the product.
- Dispose of dead batteries properly: do not burn or bury them.
- Do not attempt to recharge non-rechargeable batteries.
- Avoid short-circuiting battery terminals.
- Remove batteries before placing the unit into storage for a prolonged period of time.

FCC COMPLIANCE

NOTE: This equipment has been tested and found to comply with the limits for a Class B digital device, pursuant to Part 15 of the FCC Rules. These limits are designed to provide reasonable protection against harmful interference in a residential installation. This equipment generates, uses and can radiate radio frequency energy and, if not installed and used in accordance with the instructions, may cause harmful interference to radio communications. However, there is no guarantee that interference will not occur in a particular installation. If this equipment does cause harmful interference to radio or television reception, which can be determined by turning the equipment off and on, the user is encouraged to try to correct the interference by one or more of the following measures:

- Reorient or relocate the receiving antenna.
- Increase the separation between the equipment and receiver.
- Connect the equipment into an outlet on a circuit different from that to which the receiver is connected.
- Consult the dealer or an experienced radio/TV technician for help.

This device complies with Part 15 of the FCC Rules. Operation is subject to the following two conditions: (1) This device may not cause harmful interference, and (2) this device must accept any interference received, including interference that may cause undesired operation.

Caution: Modifications not authorized by the manufacturer may void users authority to operate this device. This device complies with Industry Canada license-exempt RSS-210. Operation is subject to the following two conditions: (1) This device may not cause interference, and (2) This device must accept any interference, including interference that may cause undesired operation of the device.

CAN ICES-3 (B)/NMB-3(B).



'Let's care for the environment!'

The wheelie bin symbol indicates that the product must not be disposed of with other household waste. Please use designated collection points or recycling facilities when disposing of the item. Do not treat old batteries as household waste. Take them to a designated recycling facility.