

8+

TRANSFORMERS LEGACY EVOLUTION



TRANSFORMERS



COMIC UNIVERSE TARN

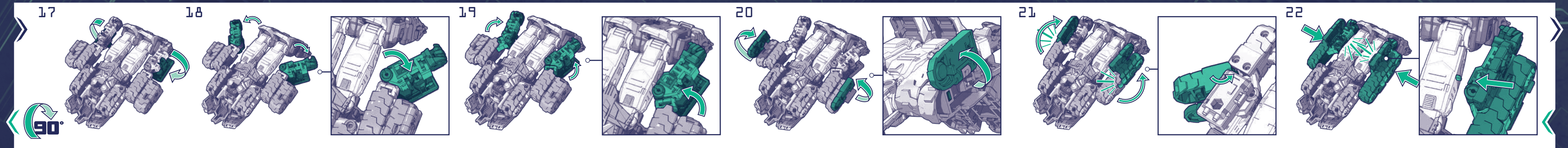
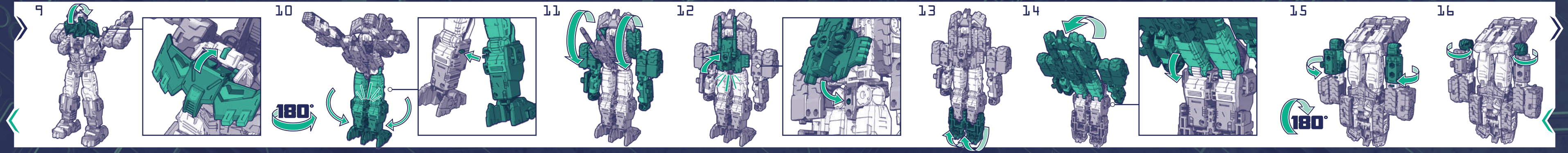
The assembly instructions are divided into two main sections:

- Top Section (Steps 1-4):**
 - Step 1:** Attach a green pin to a grey component.
 - Step 2:** Attach a green pin to the robot's back.
 - Step 3:** Attach a green component to the robot's back, with a 180-degree rotation arrow.
 - Step 4:** Attach a green component to the robot's back, with a 180-degree rotation arrow.
- Bottom Section (Steps 5-8):**
 - Step 5:** Attach a green component to the robot's back, with a 180-degree rotation arrow.
 - Step 6:** Attach a green component to the robot's back.
 - Step 7:** Attach a green component to the robot's back.
 - Step 8:** Attach a green component to the robot's back.

Manufactured under license from TOMY Company, Ltd. TRANSFORMERS and HASBRO and all related trademarks and logos are trademarks of Hasbro, Inc. © 2023 Hasbro. Hasbro, Pawtucket, RI 02861-1059 USA. HASBRO CANADA, LONGUEUIL, QC, CANADA J4G 1G2. US/CANADA TEL. 1-800-255-5516. Importado por: HASBRO DE MÉXICO, S. DE R.L. DE C.V. Boulevard Manuel Ávila Camacho #32, piso 3, Colonia Lomas de Chapultepec I Sección, Alcaldía Miguel Hidalgo, C.P. 11000, Ciudad de México, México. Centro de Servicio para México: TEL. 5876-2998 y para el interior de la República TEL. 01-800-7-12-62-25. Manufactured by/Produced by: Hasbro SA, Rue Emile-Boéchat 31, 2800 Delémont, CH. Represented by/Reprezentat de: Hasbro, De Entree 240, 1101 EE Amsterdam, NL. © Hasbro UK Ltd., P.O. Box 43, Newport, NP19 4YH, UK. Üretici Firma Bilgileri: Hasbro SA, Rue Emile-Boéchat 31, 2800 Delémont İsviçre TEL +41 3242 10800. Hasbro Oyuncak San. ve Tic. A.Ş. tarafından ithal edilmiştir. Tüketici Hizmetleri: Burhaniye Mah. Abdullahağa Cad. No: 51/2 34676 Beylerbeyi İstanbul Türkiye TEL +90 2164229010.

F7205/F2991 Asst. PN00078211





(en) Retain instructions for future reference. (fr) Conservez ces instructions pour référence ultérieure. (de) Bitte die Anleitung für spätere Rückfragen aufbewahren. (es) Conserve este instructivo para futuras referencias. (pt) Guardar instruções para eventuais consultas. (it) Conserva le istruzioni come futuro riferimento. (nl) Bewaar de gebruiksaanwijzing om later nog eens te lezen. (sv) Spara instruktionerna för att kunna hänvisa till dem i framtiden. (da) Gem vejledninger til fremtidig referencebrug. (no) Ta vare på disse instruksjonene for fremtidig referanse. (fi) Säilytä nämät tiedot tulevaa tarvetta varten. (el) Φυλάξτε τις οδηγίες για μελλοντική αναφορά. (pl) Zachowaj instrukcje na przyszłość. (hu) Őrizd meg a használati útmutatót. (tr) leriide başvurmak üzere talimatları saklayın. (cs) Uložte si informace uschovajte pro budoucí použití. (sk) Návod si odložte na použitie v budúcnosti. (ro) Păstrează instrucțiunile pentru a le consulta în viitor. (ru) Сохраните инструкцию для будущего использования. (uk) Збережіть інструкції за будещи справки. (hr) Sačuvajte upute za buduću upotrebu. (lt) Įrašykite instrukcijas ateitai. (lv) Navodila shrani, mogoce jñ bos se potreboval. (sl) Shranite navodila za nadaljnjo uporabo. (et) Säilitage juhised edasiseks kasutamiseks alles. (is) Sglababjett instruksjónu atsauei. (ar) احفظ التعليمات للرجوع إليها في المستقبل.