

vtech[®]

Parent's Guide

Kidi★Star Karaoke Machine



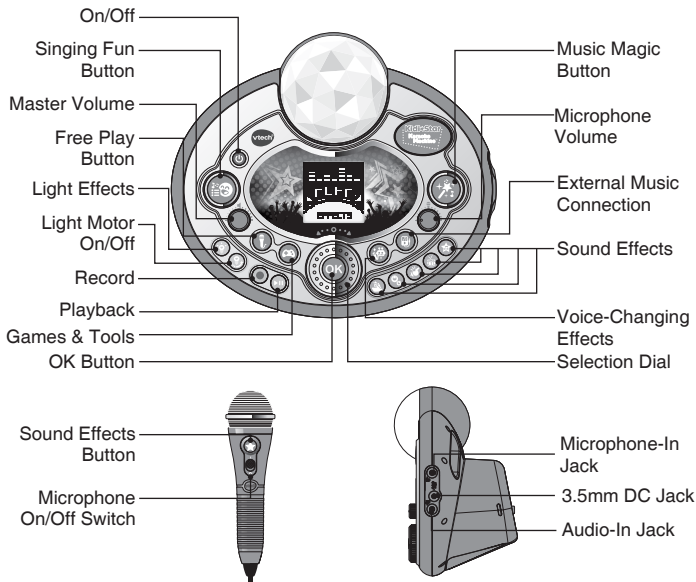
91-003500-013 (US)

INTRODUCTION





Thank you for purchasing the **VTech® Kidi Star Karaoke Machine™!** Grab the microphone and sing along to eight great songs or any of your favorite songs available on your mobile device or MP3 player. Once you're ready, turn down the main vocal track so you're the lead singer. The vibrant disco light spins 180 degrees for a lively superstar effect.








PRODUCT FEATURES









PRODUCT LAYOUT AND BUTTONS





BUTTONS ON THE MAIN UNIT

On/Off 	Press this button to turn the unit ON and OFF .
Master Volume Control Dial 	This controls the master volume of the whole unit, including the microphone volume. Turn this dial to adjust the whole unit's volume at any time. Note: This unit complies with maximum volume output standards to protect your child's hearing.
Microphone Volume Dial 	Adjust the microphone volume at any time by turning this dial. If the Master Volume is turned OFF , the microphone output cannot be heard.
Music Magic Button 	Music Magic mode can only be used on songs with vocals and works with the built-in songs, as well as the songs you choose on your own music player. It turns down the main vocal track on most songs, allowing you to take the lead and sing along to the music like a star. Press the Music Magic Button to toggle between Music Magic mode and Normal mode. Music Magic mode: Reduce the main vocal track from songs*. Normal mode: Normal music playback. *Note: The Music Magic feature may not work for all songs. Its effectiveness varies depending on the song. For best results, studio recorded songs in stereo rather than mono are recommended. Unfortunately we cannot guarantee Music Magic will work with every song. We do not recommend using Music Magic mode with mono recordings or live concert performances, etc.

<p>Record </p>	<p>Press this button to record your performance. A menu will appear with two recording slots. Turn the Selection Dial and press the OK Button to select a slot and begin recording. When you are finished performing, press this button again to stop recording.</p> <p>Note: Each slot can store a recording up to four minutes in length. Please ensure you do not remove the batteries or power adapter (sold separately) during recording, otherwise the recording may not be saved.</p>						
<p>Playback </p>	<p>Press this button to play or pause your recordings. Use the Selection Dial to select the recording you would like to listen to and press the OK Button.</p>						
<p>Light Effects </p>	<p>Press this button to turn the light ON or OFF. When the light options are shown, use the Selection Dial to change the light effect.</p> <p>Note: We recommend turning off the disco light by pressing the Light Effects Button if the light makes your eyes feel uncomfortable.</p>						
<p>Light Motor </p>	<p>Press this button to turn the Light Motor ON or OFF.</p>						
<p>Voice-Changing Effects </p>	<p>Press this button to switch between different voice-changing effects when using the microphone.</p>						
<p>Sound Effects </p>	<p>There are five Sound Effects buttons on this unit. Press any of these buttons to add a sound effect to your performance:</p> <table border="1" data-bbox="360 1158 919 1297"> <tr> <td>• Applause</td> <td>• Laughter</td> </tr> <tr> <td>• Cheering</td> <td>• Intro Drum</td> </tr> <tr> <td>• Game Show</td> <td></td> </tr> </table>	• Applause	• Laughter	• Cheering	• Intro Drum	• Game Show	
• Applause	• Laughter						
• Cheering	• Intro Drum						
• Game Show							
<p>Singing Fun </p>	<p>Press this button to enter Singing Fun mode and sing along to the eight built-in songs.</p>						

Free Play 	In Free Play mode, it's just you and the microphone! Let your creativity flow!
External Music Connection 	Press this button to enter External Music Connection Mode to listen to your own music using an MP3 player or mobile device (not included) and the supplied 3.5mm jack audio cable.
Games & Tools 	Press this button to enter the Games & Tools menu and select an activity to play.
Selection Dial 	Turn this dial to make a selection.
OK Button 	Press this button to confirm your selection.
Microphone-In Jack 	Used to plug in your microphone. Note: Please ensure a firm connection.
Audio-In Jack 	Used to plug in an external music player (not included) using the supplied 3.5mm jack audio cable.
3.5mm DC Jack  6V	Used to plug in a VTech® 3.5mm DC 6V power adapter (sold separately).








BUTTONS ON THE MICROPHONE

Microphone On/Off Switch 	Use this switch to turn the microphone ON or OFF . Slide the switch up to (I) for ON and down (O) for OFF . Note: To avoid picking up any unnecessary harsh sounds from the microphone, place the microphone away from the speaker and switch the microphone OFF whenever it is not in use.
Sound Effects Button 	Press this button to add sound effects to your performance.

INCLUDED IN THIS PACKAGE

- One VTech® Kidi Star Karaoke Machine™
- One microphone
- One 3.5mm jack audio cable
- One parent's guide
- Four AA batteries for demo purpose only
- One set of stand components

Note: Stand components include three poles to adjust height. Please ensure that the stand is assembled using the correct number of poles for your child's height.

 x 1	 x 1	 x 1
 x 2	 x 3	
 x 1	 x 3	

WARNING:

All packing materials such as tape, plastic sheets, packaging locks, removable tags, cable ties and packaging screws are not part of this toy, and should be discarded for your child's safety.

NOTE: Please keep this parent's guide as it contains important information.

ATTENTION :

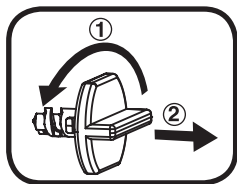
Pour la sécurité de votre enfant, débarrassez-vous de tous les produits d'emballage tels que rubans adhésifs, feuilles de plastique, attaches, étiquettes et vis d'emballage. Ils ne font pas partie du jouet.

NOTE : Il est conseillé de conserver ce guide des parents car il comporte des informations importantes.

The toy is only to be connected to Class II equipment bearing the following symbol (☐).

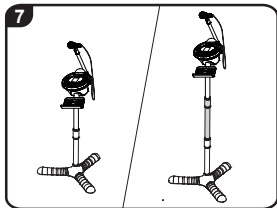
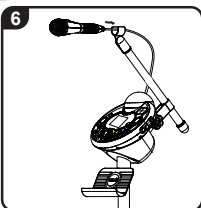
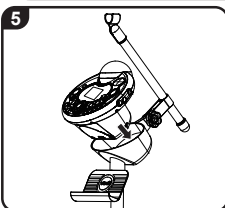
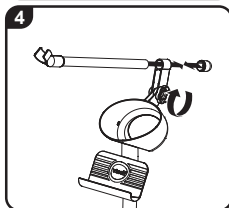
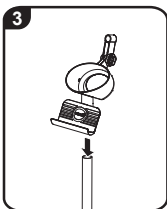
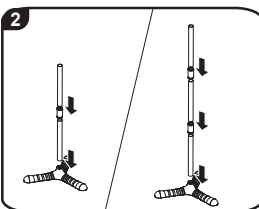
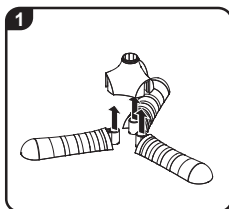
Removing the packaging locks:

- ① Turn the packaging lock counterclockwise several times.
- ② Pull out and discard the packaging lock.

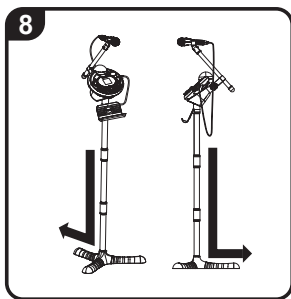


STAND ASSEMBLY

Adult assembly required. For your child's safety, do not let your child play with this product until it is fully assembled.



For the best stability, we recommend positioning any foot of the stand perpendicular to the back of the **Kidi Star Karaoke Machine™** unit. Please refer to the illustration below.

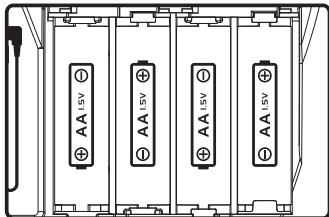
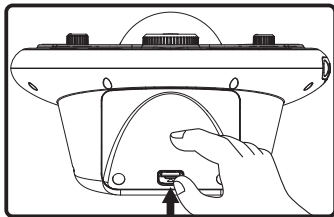


GETTING STARTED

BATTERY INSTALLATION

Kidi Star Karaoke Machine™ uses 4 AA (1.5V LR6/AM-3 size) batteries or a **VTech®** 3.5mm DC 6V power adapter (sold separately).

1. Make sure the unit is turned **OFF**.
2. Locate the battery cover on the bottom of the unit.
3. Remove the battery cover and install 4 AA batteries as illustrated. (The use of new alkaline batteries is recommended for maximum performance.)
4. Close the battery cover.



BATTERY NOTICE

- Use new alkaline batteries for maximum performance.
- Use only batteries of the same or equivalent type as recommended.
- Do not mix different types of batteries: alkaline, standard (carbon-zinc) or rechargeable, or new and used batteries.
- Do not use damaged batteries.
- Insert batteries with the correct polarity.
- Do not short-circuit the battery terminals.
- Remove exhausted batteries from the toy.
- Remove batteries during long periods of non-use.
- Do not dispose of batteries in fire.
- Do not charge non-rechargeable batteries.
- Remove rechargeable batteries from the toy before charging (if removable).
- Rechargeable batteries are only to be charged under adult supervision.

POWER ADAPTER CONNECTION

You may purchase a **VTech**[®] 3.5mm DC 6V power adapter by visiting our website at vtechkids.com. Hover over the "Support" option on the top menu bar and choose "Order Replacement Parts" from the menu that appears below. Or call our Consumer Services Department at 1-800-521-2010 in the US or 1-877-352-8697 in Canada.

To connect the adapter to the unit, follow the instructions below.

- Make sure the unit is turned **OFF** and ensure no batteries remain inside the unit.
- Locate the 3.5mm DC Jack on the side of the unit.
- Connect the power adapter (sold separately) into the unit's 3.5mm DC Jack.
- Plug the other end of the power adapter into an electrical socket.
- Turn the unit **ON**.

TRANSFORMER SAFETY NOTICE

- Using a **VTech**[®] adapter (DC 6V) is recommended but sold separately.
- This product should only be used with a transformer for toys.
- The transformer is not a toy.
- This product is not intended for use by children under the age of three.


- Do not connect this product to more than the recommended number of power supplies.
- Never clean this product with liquid when it is plugged into a power supply.
- Please regularly examine the transformer, checking for damage to the cord, plug and other areas. Do not use the transformer if there is any damage to it.

Note: If the unit stops working or the sound becomes weak, it may be because of a fault with the power adapter connection.


Turn the unit **OFF** and unplug the adapter for 15 seconds. Then plug the adapter back in and turn the unit **ON**. If the problem persists, the adapter you are using may be faulty.

TO BEGIN USING KIDI STAR KARAOKE MACHINE™

TURN ON THE UNIT

Press the **On/Off Button**  to turn the unit **ON** and enter normal play mode.

LOW BATTERY ICON



When the batteries are exhausted, the low battery icon  will be displayed and the unit will automatically shut off. Please replace the batteries with a full set of new batteries before further use.



If the product is frequently used, then the batteries will drain at a faster rate. We recommend using a power adapter (sold separately) if this product is to be used frequently.

AUTOMATIC SHUT OFF

To preserve battery life, **Kidi Star Karaoke Machine™** will automatically power off if there is no operation for a period of time.

ACTIVITIES

<p>Singing Fun</p> 	<p>Sing along to eight built-in songs!</p>
<p>Free Play</p> 	<p>Show your creativity! It's just you and the microphone in Free Play mode!</p>

<p>External Music Connection</p> 	<p>Plug in an external music player, such as an MP3 player or mobile device (not included), using the provided 3.5mm jack audio cable to sing along to your own music!</p>
<p>Games & Tools</p> 	<ul style="list-style-type: none"> • Music Pop • Funky Monkey • Balloon Tunes • Beat Boxer • Note Catcher • Tongue Twisters

1. SINGING FUN

Press the **Singing Fun Button** to sing along to eight built-in songs. Turn the **Selection Dial** to choose a song and press the **OK Button** to begin. When you are ready, press the **Music Magic Button** to turn down the main vocal track in the built-in songs and sing by yourself like a star!



Note: For the lyrics of the eight built-in, sing-along songs, please refer to the **APPENDIX**.

2. FREE PLAY

Press the **Free Play Button** to enter Free Play mode. You can use your imagination to create your own concert, talk show, talent show or to just play around and have fun! It's show time!



3. EXTERNAL MUSIC CONNECTION

Plug in an external music player, such as an MP3 player or mobile device (not included), using the provided 3.5mm jack audio cable to sing along to your own music! From here, you can press the **Music Magic Button** to turn down the main vocal track in the current song. Now you can sing along and be a star!



You can also set an auto-off timer in this mode. To do so, simply press the **OK Button** and turn the **Selection Dial** to choose your desired auto-off time: 60 minutes, 90 minutes, 120 minutes, or 180 minutes.

The volume controls on the **Kidi Star Karaoke Machine™** cannot control the volume of external devices. Please use the volume controls on your external music player to increase or decrease volume.

Music Magic mode may not apply for all songs. For details, you may refer to the Music Magic section under **PRODUCT FEATURES**.

Note: Please disconnect your external music player and the provided 3.5mm jack audio cable from **Kidi Star Karaoke Machine™** if it is not in use.

4. GAMES & TOOLS

Press the **Games & Tools Button** to enter the Games & Tools menu. From here, turn the **Selection Dial** to choose an activity, pressing the **OK Button** to confirm.

4.1 Music Pop

In this game, try to pop the music bubbles on the right beat. The music bubbles will move towards the target area. Once they are in the target area, press the **OK Button** to pop them.



4.2 Funky Monkey

To play this fun party game, dance along with the monkey and freeze when the monkey freezes. There are no right or wrong ways to dance. Play by yourself or with friends and have an amazing monkey time!



4.3 Balloon Tunes

It's time for a musical adventure in a hot air balloon! Blow into the microphone to raise the hot air balloon, otherwise the balloon will stop moving. As the hot air balloon is moving up, turn the **Selection Dial** to move the balloon to collect music notes.



4.4. Beat Boxer

Beat Boxer is a tool that provides different musical beats for your own beat box creations. You can create, sing and beat box along to your preferred beat and record it. Play it back to hear how great your beat boxing was!



4.5 Note Catcher

Catch the falling music notes by turning the **Selection Dial** to move the paddle. Collect as many notes as you can before time runs out!



4.6 Tongue Twisters

Challenge yourself to master all of these tricky tongue twisters! Turn the **Selection Dial** to select a tongue twister, and press the **OK Button** to confirm. Listen to the instructions and repeat the tongue twister. Press the **OK Button** when you've finished and select your next tongue twister. Can you master them all?



Note: For all of the Tongue Twister sentences, please refer to the **APPENDIX**.

CARE & MAINTENANCE

1. Keep the unit clean by wiping it with a slightly damp cloth.
2. Handle the device carefully.
3. Keep the device away from dusty or dirty areas.
4. Keep the device away from moisture or extreme temperatures.
5. Do not disassemble the device. If a problem occurs, remove and replace the batteries to reset the device, or try new batteries.
6. Do not drop the unit on a hard surface and do not expose the unit to or immerse it in water.

EPILEPSY WARNING:

A small percentage of users may experience epileptic seizures when viewing flashing lights or patterns.

Please consult your doctor if you have an epileptic condition or experience any unusual symptoms while playing. Turn off the **Disco Light** on the **Kidi Star Karaoke Machine™** if you do not feel comfortable.

TROUBLESHOOTING

Please refer to this section if you are experiencing difficulty operating your **Kidi Star Karaoke Machine™**.

Problem	Possible cause	Correction
Your Kidi Star Karaoke Machine™ has stopped working or does not turn on	Incorrect battery polarities	Ensure that the batteries are installed using the correct polarity.
	Depleted batteries	Replace with new batteries.
	Power adapter issue	Ensure that the adapter is connected correctly.
Microphone output cannot be heard	The microphone is not plugged in correctly	Ensure that the microphone is connected to the unit firmly and correctly.
	The microphone is not switched on	Turn the On/Off switch on the microphone to the (I) ON position.
	The microphone volume is low	Turn up the microphone volume on the unit using the Microphone Volume Dial .
	The master volume is low	Turn up the master volume on the unit using the Master Volume Dial .
Microphone output is not loud enough*	The microphone volume is low	Turn up the microphone volume on the unit using the Microphone Volume Dial .
Harsh sounds are coming from the speaker	The microphone may be too close to the speaker	To avoid picking up any unnecessary harsh sounds, please ensure that the microphone is kept away from the speaker and that the microphone is switched OFF whenever it is not in use.

Music Magic mode is not functioning correctly	The external music player is not correctly connected to Kidi Star Karaoke Machine™	Make sure that your external music player is well connected to Kidi Star Karaoke Machine™ at both ends of the provided 3.5mm jack audio cable. Note: If your External Music Player is inside a case, we recommend removing it to ensure a firm connection with the audio cable.
	Unsuitable song source	The Music Magic feature may not work for all songs. Its effectiveness varies from song to song. For best results, studio recorded songs in stereo rather than mono are recommended. Unfortunately we cannot guarantee Music Magic will work with every song. It is not recommended to use Music Magic for mono songs or live concert performances, etc.

***Note:** This unit complies with maximum volume output standards to protect your child's hearing.

If the problem persists, please call our Consumer Services Department at 1-800-521-2010 in the U.S. or 1-877-352-8697 in Canada, or by going to our website at vtechkids.com and filling out our Contact Us form located under the Customer Support link. A service representative will be happy to help you.

APPENDIX

Tongue Twisters

1	Double bubble gum, bubbles double.
2	She sells seashells on the seashore.
3	If a dog chews shoes, which shoes does he choose?
4	She sees cheese, she sees cheese, she sees cheese.
5	Rolling red wagons, rolling red wagons, rolling red wagons.
6	Freshly fried flying fish.
7	A proper copper coffee pot.
8	I scream, you scream, we all scream for ice cream.
9	Which wristwatches are Swiss wristwatches?
10	Many an anemone sees an enemy anemone.
11	How much wood would a woodchuck chuck if a woodchuck could chuck wood?
12	Peter Piper picked a peck of pickled peppers. A peck of pickled peppers Peter Piper picked.
13	Fuzzy Wuzzy was a bear. Fuzzy Wuzzy had no hair. Fuzzy Wuzzy wasn't fuzzy, was he?
14	Any noise annoys an oyster, but a noisy noise annoys an oyster more.
15	If two witches were watching two watches, which witch would watch which watch?

Singing Fun

Dance, Dance, Dance!

Hey now, let's cheer!
All our friends are here.
Let's get ready to party tonight.



Dance, dance, dance!
Let's go have fun.
Move your feet
To the rhythm.
Dance, dance, dance!
Dance to the beat right now.
Dance to the beat now.



Sing loud, no fear.
This is our year.
Let's get ready to party tonight.



Dance, dance, dance!
Let's go have fun.
Move your feet
To the rhythm.
Dance, dance, dance!
Dance to the beat right now.
Dance to the beat now.



Side by Side

Let's give it a shot. We can make it.
Let's step up, step out. I know we can do it.
Just try our best and always know that
It'll be alright if we just do it together.



You can count on me every day.
We're best friends and we will be forever,
Side by side each step of the way.
Don't give up, 'cause I'll be there waiting for you.



Let's go out and try. We can do it.
Let's get up, get out. I know we can make it.
Just do our best and always know that
It'll be alright if we just do it together.



You can count on me every day.
We're best friends and we will be forever,
Side by side each step of the way.
Don't give up, 'cause I'll be there waiting for you.



You're There For Me Always

When I don't know what to play,
When I can't think what to do or say,
I remember, I remember
You're always by my side.



You are there
Through the good times and bad times.
You're there when I'm feeling
Sad...I'm glad.
You're there for me always.
You're there for me always.



When it feels like things won't go my way,
When no sunshine brightens up my day,
I just think back to my friend that's
Always by my side.



You are there
Through the good times and bad times.
You're there when I'm feeling
Sad...I'm glad.
You're there for me always.
You're there for me always.



Perfect Friendship

We've been friends now for a long time,
And I know that you will always be mine.
Through the good times,
Through the bad times,
Never forget we will always shine.
I know that you'll always be there, always be fair.
I know that you'll always be nice, always be kind.



So...
Never forget that you can always count on me
'Cause we're best friends and together is how we'll be.
Dance away to our favorite song.
We can sing it all day long.
It's a perfect friendship, a perfect friendship.



When I think back where we started,
I know that we'll never be parted.
You know that I'll always get you, always be true.
You know that I wanna hang out.
There ain't no doubt.



So...
Never forget that you can always count on me
'Cause we're best friends and together is how we'll be.
Dance away to our favorite song.
We can sing it all day long.
It's a perfect friendship, a perfect friendship.



Who's My B-F-F?

I got you, and you got me.
We got each other, and that's all we need.
When hills are steep and skies are gray,
We're not alone. We've got each other so we say,



Who's my B-F-F?
You are, you are, you ooh ooh you are!
Who's my B-F-F?
Best friends forever that's who we are!



No matter what, no matter where,
If you're in need you know that I'll be there.
When you're around, everything's okay.
You make me happy so I've gotta say,



Who's my B-F-F?
You are, you are, you ooh ooh you are!
Who's my B-F-F?
Best friends forever that's who we are!
Best friends forever that's who we are!



Cosmic Super Stars

This beat makes me feel alive.
I feel like I can touch the sky,
Touch the stars in outer space.
Jump, jump, jump, and feel the bass.



123
Party in space with me.
Let's have fun
Dancing around the sun
Like cosmic super stars.
We are cosmic super stars!



I wanna dance every day.
So groove with me.
I'll lead the way.
Like the sun, we'll shine so bright.
Jump with me. It'll be alright!



123
Party in space with me.
Let's have fun
Dancing around the sun
Like cosmic super stars.
We are cosmic super stars!



We Can Do It

So let's join together, and let's do it right.
With teamwork and friendship, our future is bright.
Nobody's gonna stop us, even if they tried.
We're better together working side by side.



We can do it. Never gonna quit!
We can do it. That's the spirit!



It's up to us. Our moment's here.
When we help each other, the answer is clear.
When hard times come, we can take it in stride.
We're better together working side by side.



We can do it. Never gonna quit.
We can do it. That's the spirit.
That's the spirit!



Sing It

Ready set go!
Get up on your feet.
Move to the music.
Dance, dance to the beat.
It's your turn. Don't be shy.
Feel the rhythm, just give it a try.



Sing to your favorite melody, melody.
It's the perfect remedy, remedy.
Just let go, and
Grab the mic, and
Sing it, sing it,
Sing it, sing it, alright!



Clap it out!
1 - 2 - 3 and 4.
Step up to the mic and
Sing for the encore.
It's your turn. Don't be shy.
Feel the rhythm, just give it a try.



Sing to your favorite melody, melody.
It's the perfect remedy, remedy.
Just let go, and
Grab the mic, and
Sing it, sing it,
Sing it, sing it, alright!



IMPORTANT NOTE:

Creating and developing **VTech®** products is accompanied by a responsibility that we at **VTech®** take very seriously. We make every effort to ensure the accuracy of the information, which forms the value of our products. However, errors sometimes can occur. It is important for you to know that we stand behind our products and encourage you to call our Consumer Services Department at 1-800-521-2010 in the U.S. or 1-877-352-8697 in Canada, or by going to our website at vtechkids.com and filling out our Contact Us form located under the Customer Support link with any problems and/or suggestions that you might have. A service representative will be happy to help you.

Note:

This equipment has been tested and found to comply with the limits for a Class B digital device, pursuant to Part 15 of the FCC Rules. These limits are designed to provide reasonable protection against harmful interference in a residential installation. This equipment generates, uses and can radiate radio frequency energy and, if not installed and used in accordance with the instructions, may cause harmful interference to radio communications. However, there is no guarantee that interference will not occur in a particular installation. If this equipment does cause harmful interference to radio or television reception, which can be determined by turning the equipment off and on, the user is encouraged to try to correct the interference by one or more of the following measures:

- Reorient or relocate the receiving antenna.
- Increase the separation between the equipment and receiver.
- Connect the equipment into an outlet on a circuit different from that to which the receiver is connected.
- Consult the dealer or an experienced radio/TV technician for help.

Supplier's Declaration of Conformity

Trade Name: VTECH®
Model: 1658
Product name: Kidi Star Karaoke Machine™
Responsible Party: VTech Electronics North America, LLC
Address: 1156 W. Shure Drive, Suite 200, Arlington Heights, IL 60004
Website: vtechkids.com

THIS DEVICE COMPLIES WITH PART 15 OF THE FCC RULES. OPERATION IS SUBJECT TO THE FOLLOWING TWO CONDITIONS: (1) THIS DEVICE MAY NOT CAUSE HARMFUL INTERFERENCE, AND (2) THIS DEVICE MUST ACCEPT ANY INTERFERENCE RECEIVED, INCLUDING INTERFERENCE THAT MAY CAUSE UNDESIRE OPERATION.

CAN ICES-3 (B)/NMB-3(B)

Caution: Changes or modifications not expressly approved by the party responsible for compliance could void the user's authority to operate the equipment.



WARNING:

CHOKING HAZARD - Small parts.
Not for children under 3 yrs.



AVERTISSEMENT :

RISQUE DE SUFFOCATION -
Petites pièces. Ne convient pas aux
enfants de moins de 3 ans.



**Visit our website for more
information about our products,
downloads, resources and more.**

vtechkids.com

Read our complete warranty policy online at
vtechkids.com/warranty

