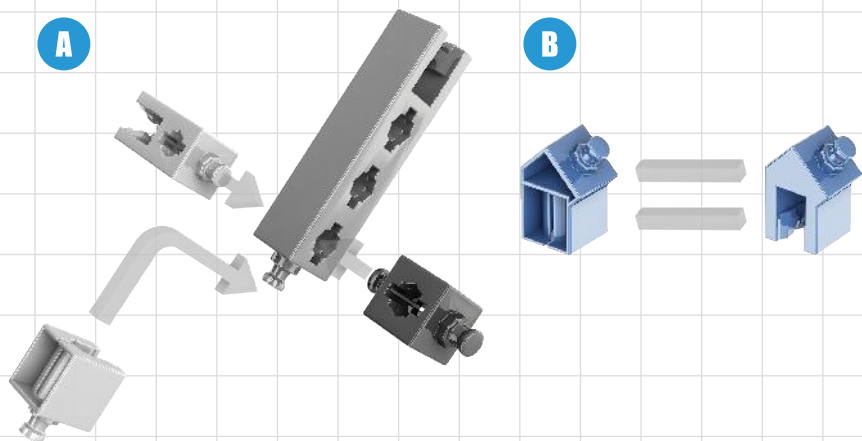
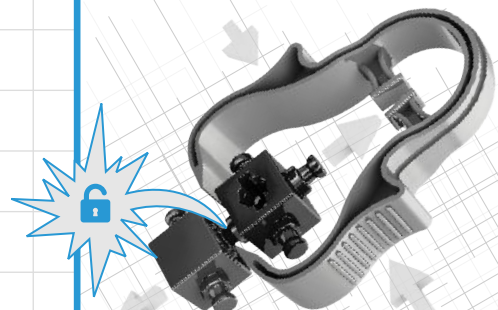


Building Tips



Extraction Tool



Push sides of the tool to disassemble small parts!

Free App

- A** Use your PC or tablet and go to the following link for more models:

www.Engino.com/instructions/sth22

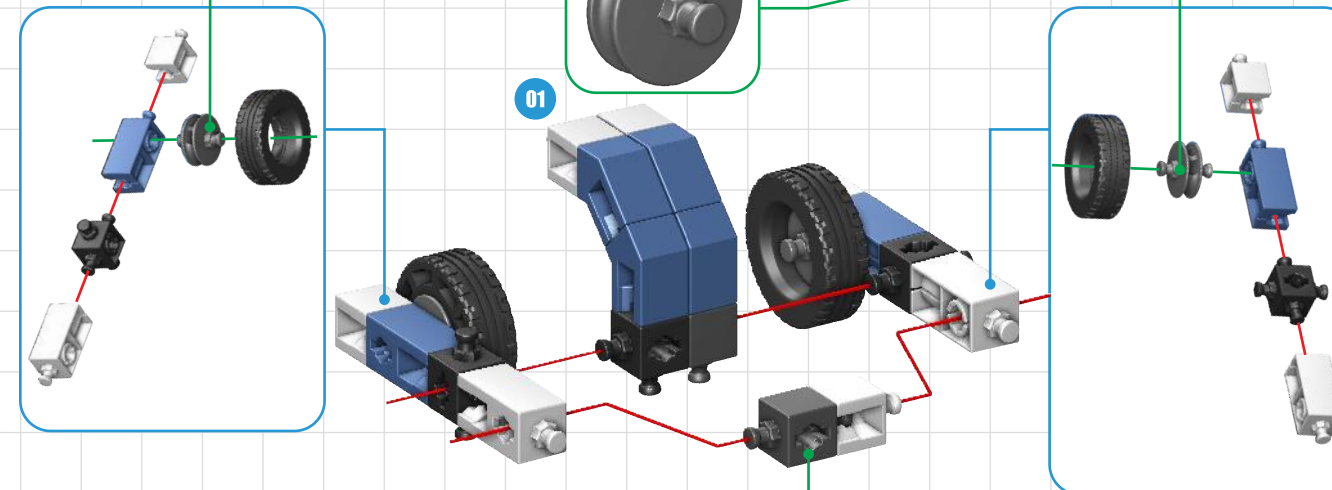
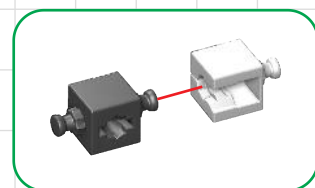
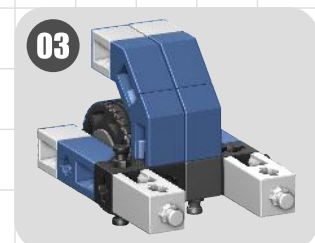
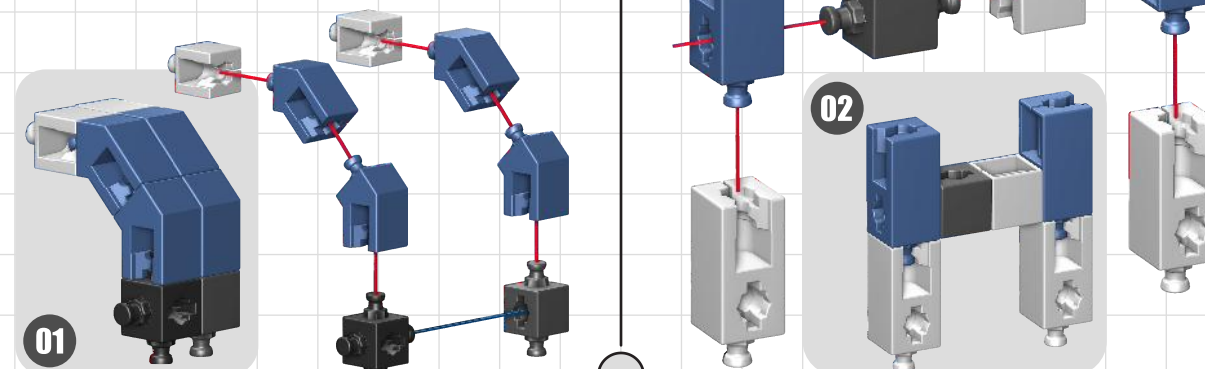
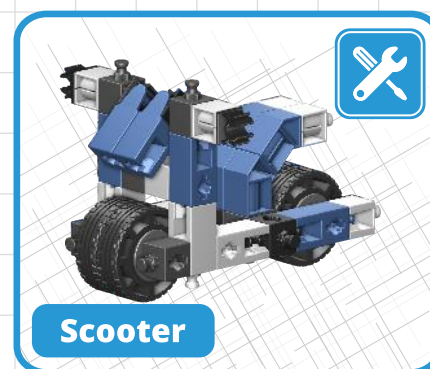
- B** Download the app to discover step-by-step instructions in 3D view!

Engino kidCAD (3D Viewer) app:

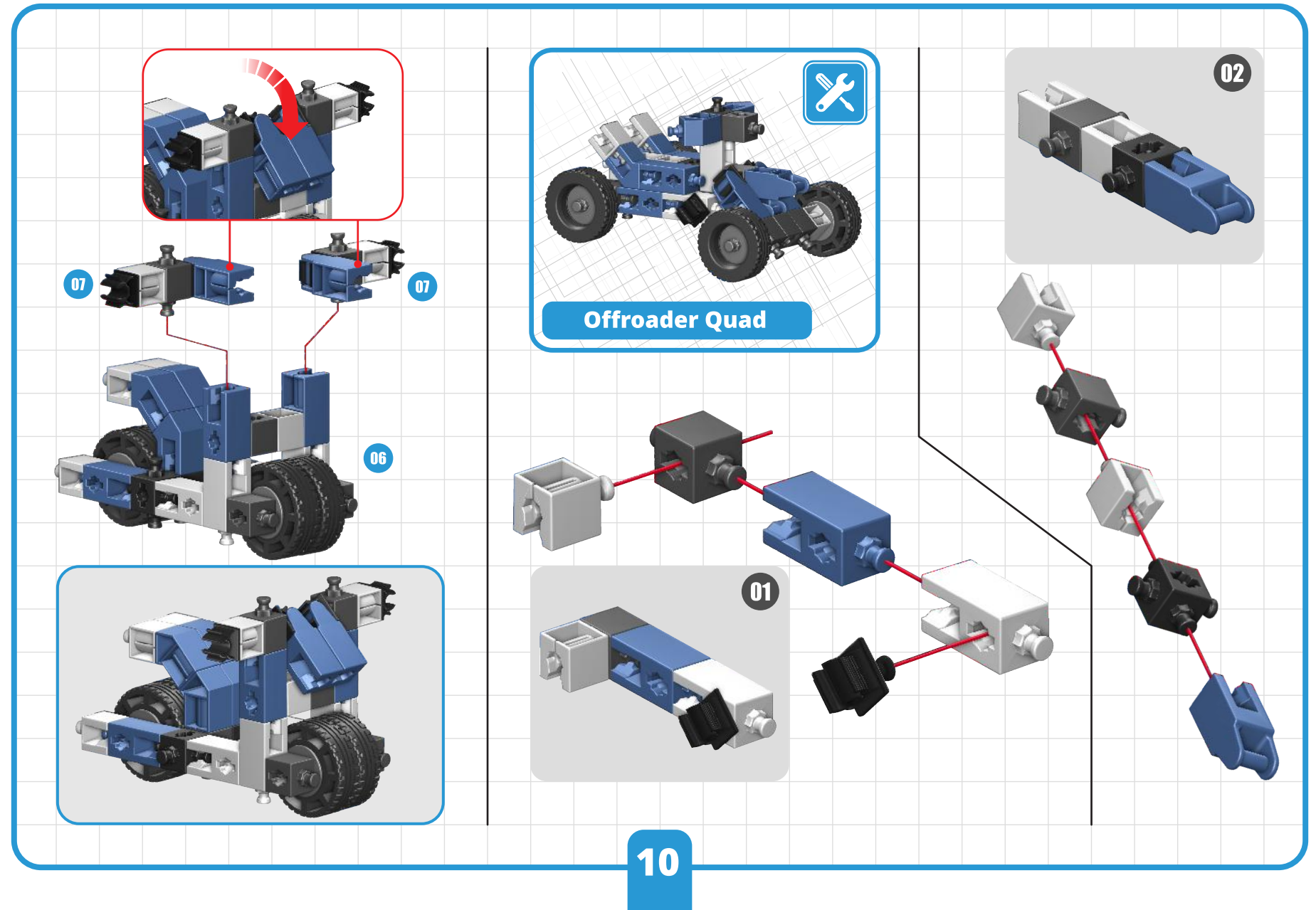
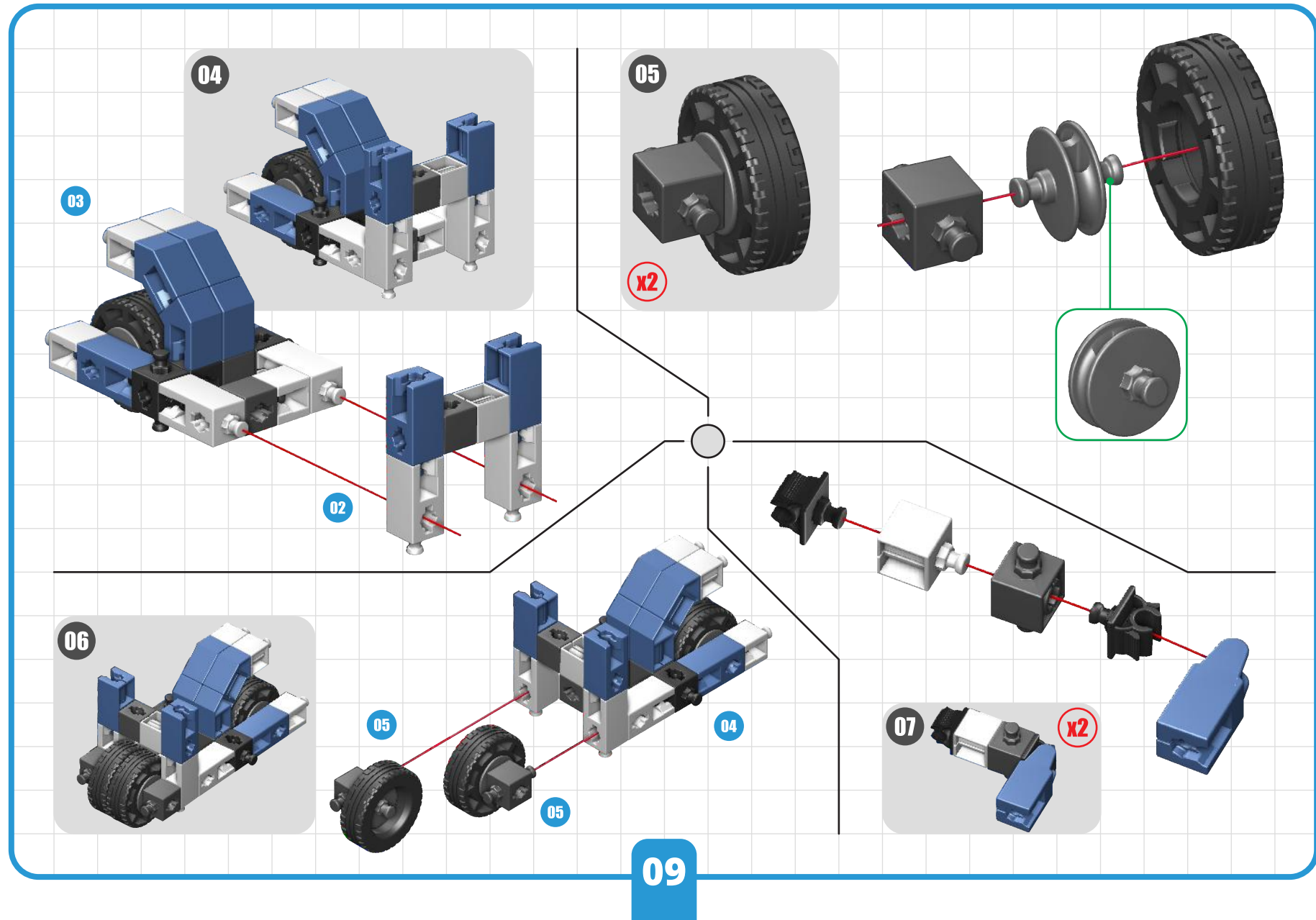


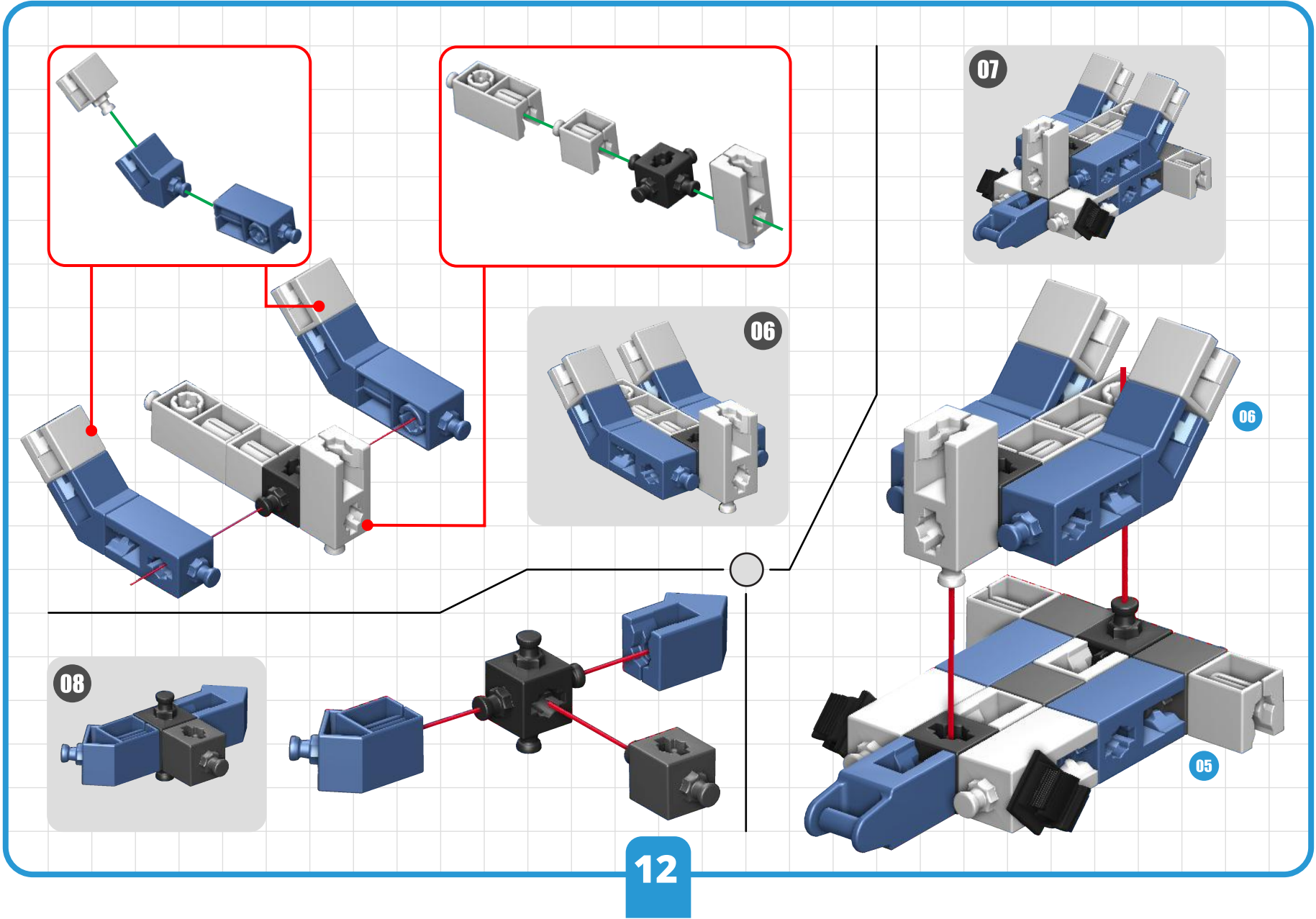
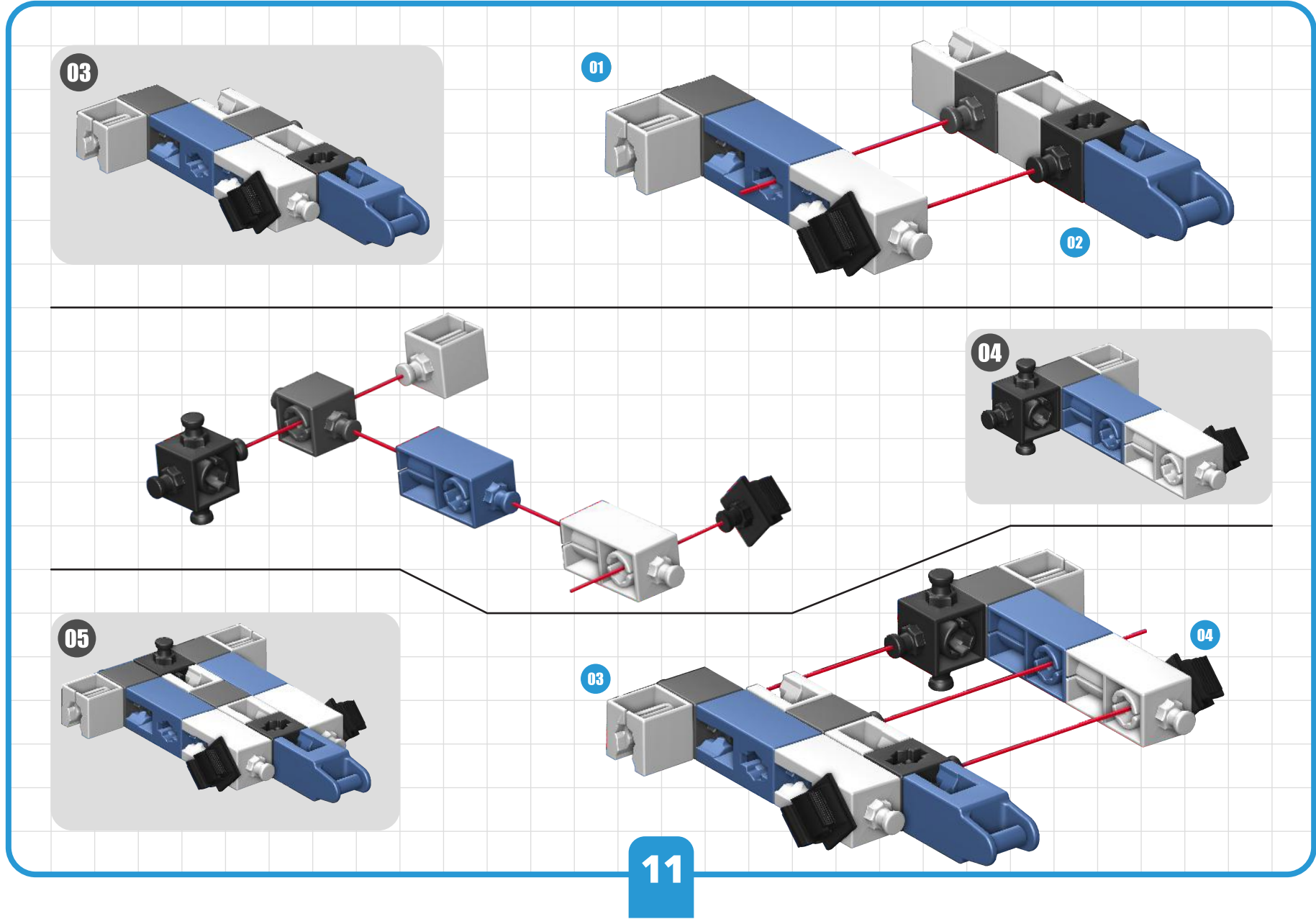
07

Building Instructions

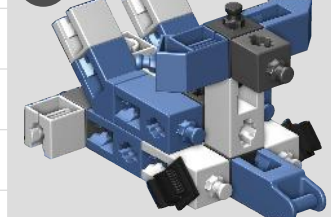


08

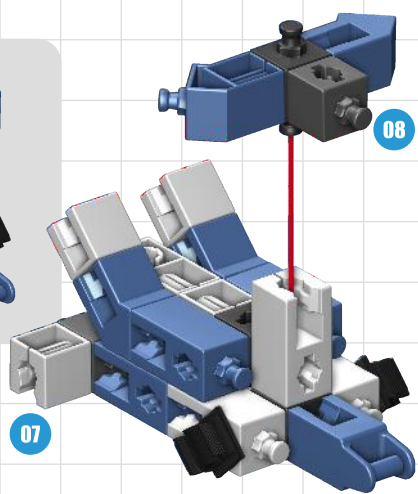




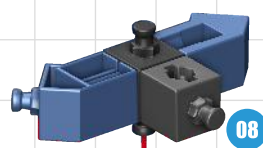
09



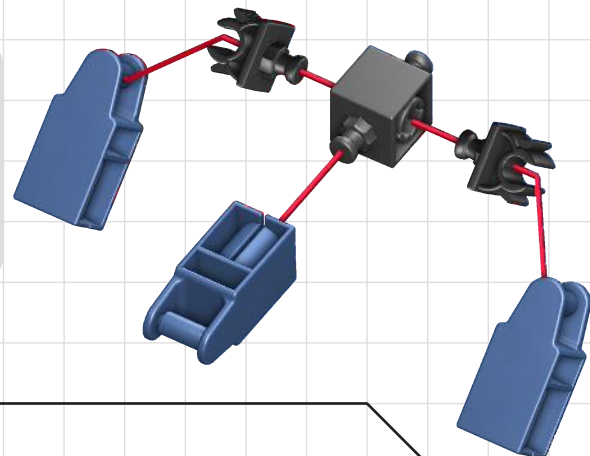
07



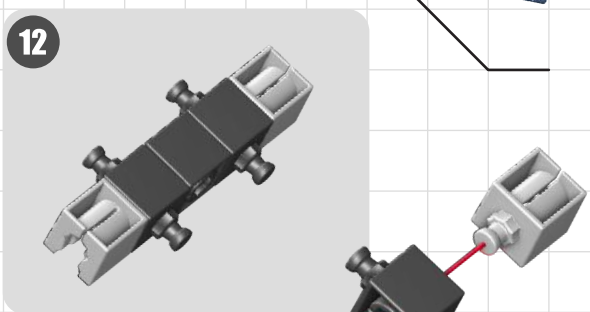
08



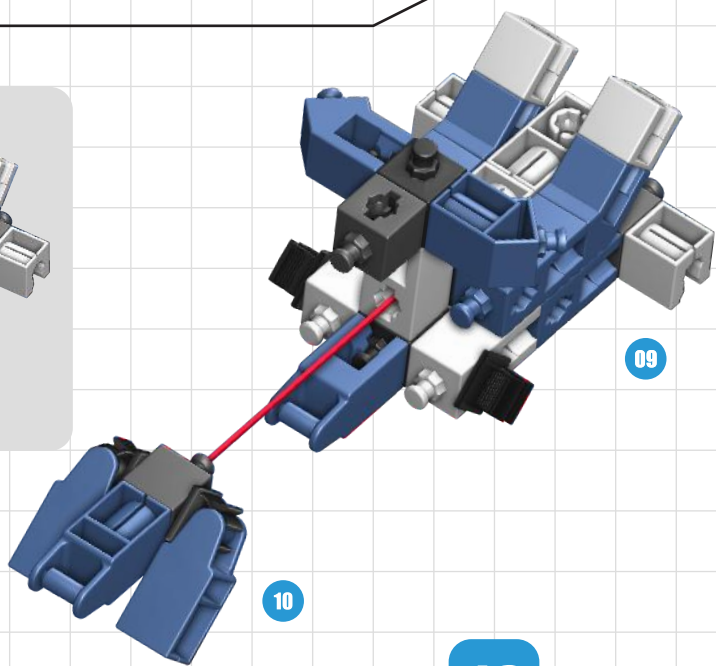
10



12



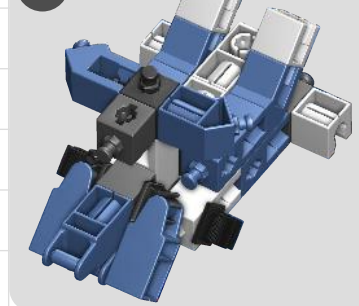
09



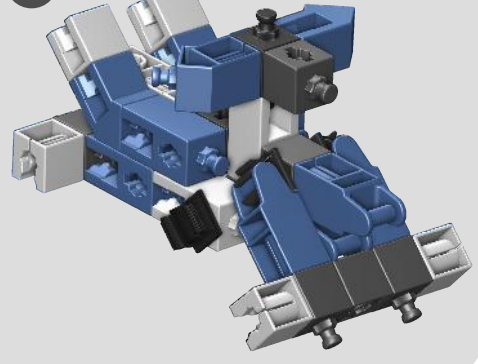
10

13

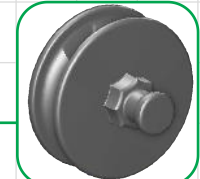
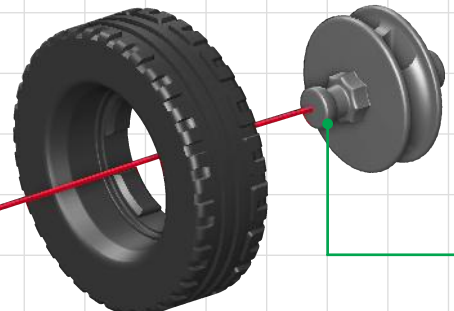
11



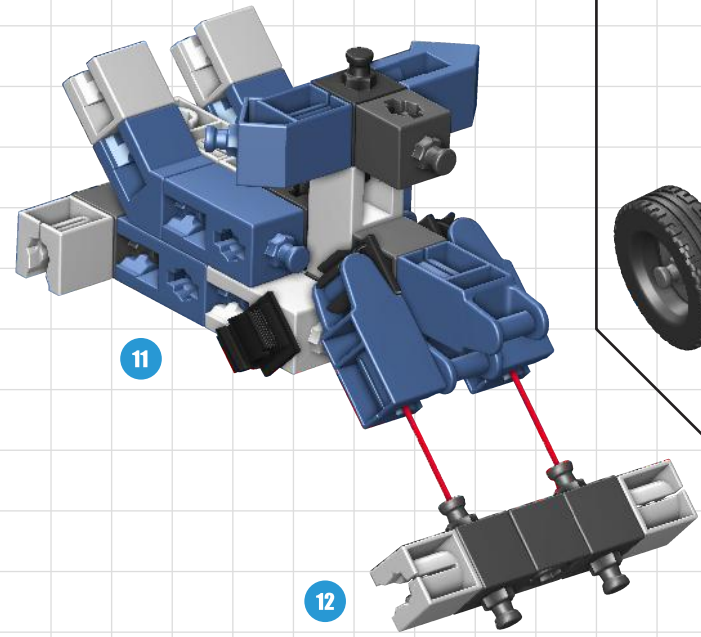
13



14



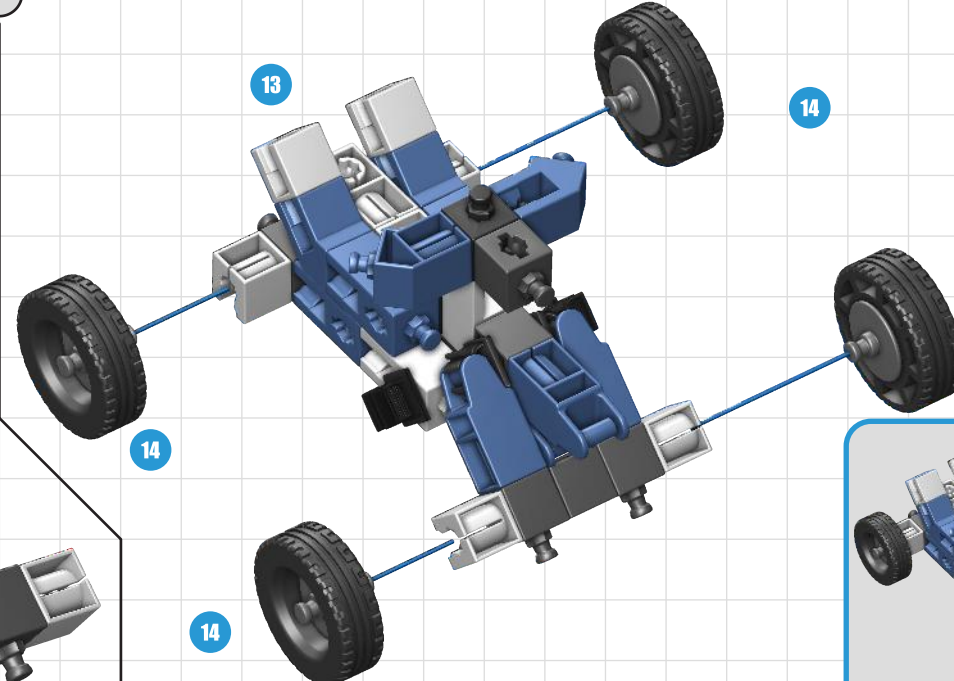
13



11

12

14



14

14

