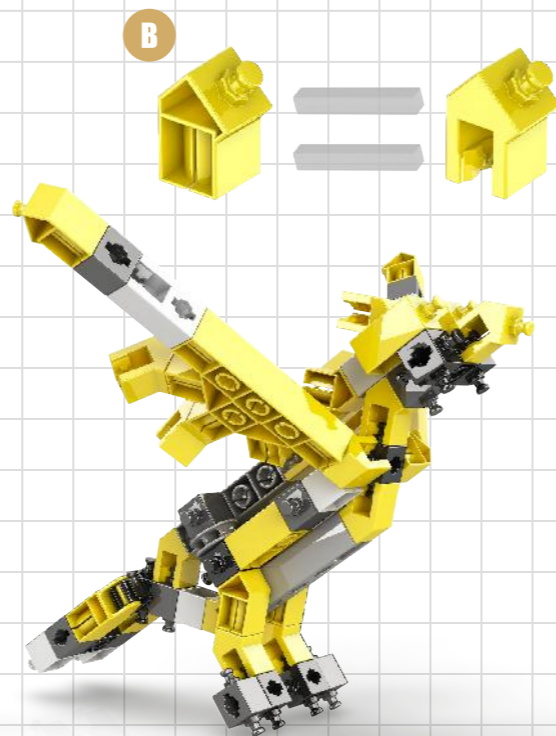
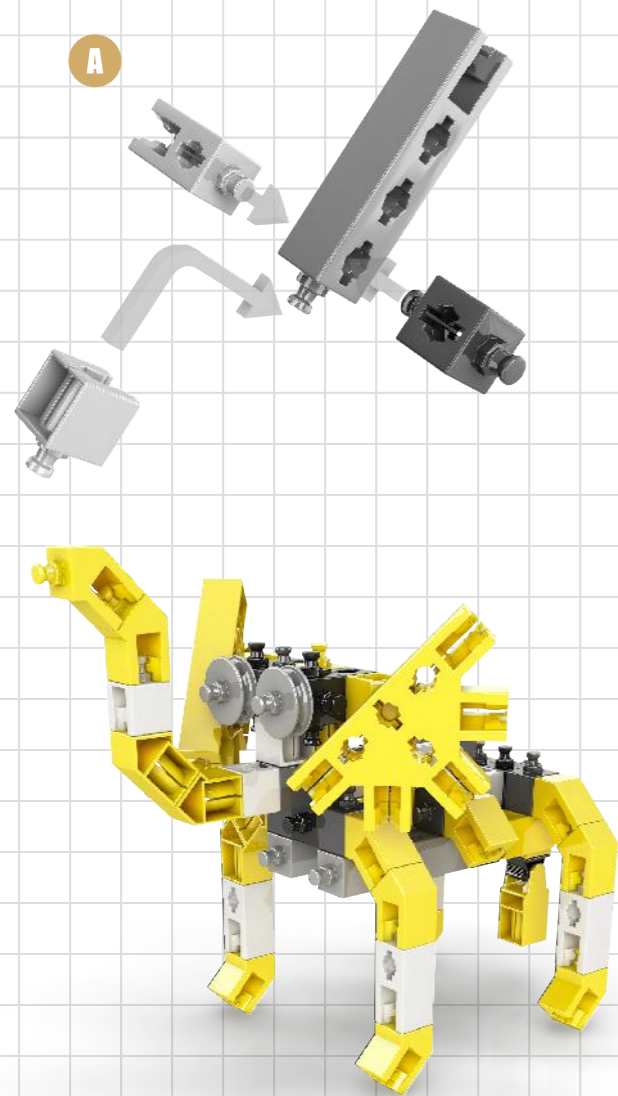


## Building Tips



## More models online

A Use your PC or tablet and go to the following link for more models:

[www.Engino.com/instructions/sth32](http://www.Engino.com/instructions/sth32)

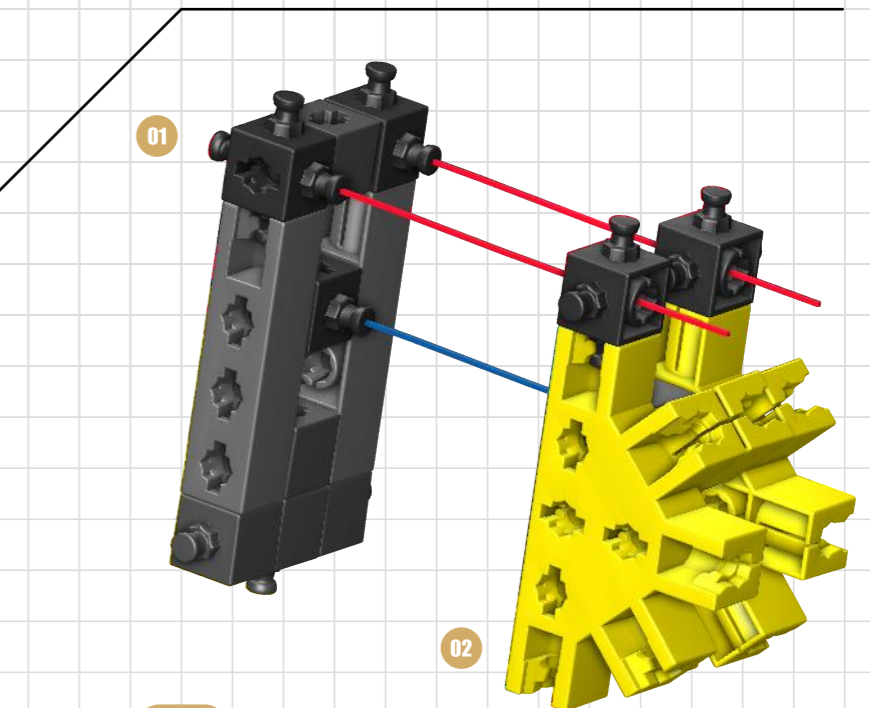
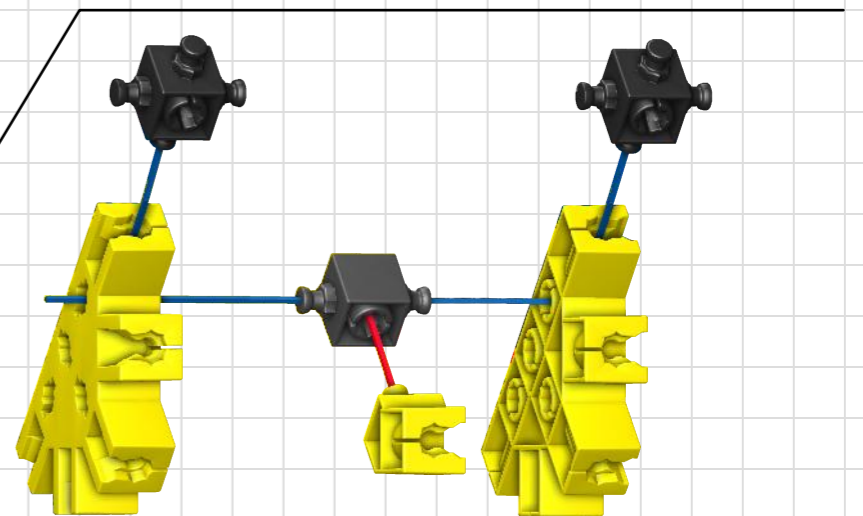
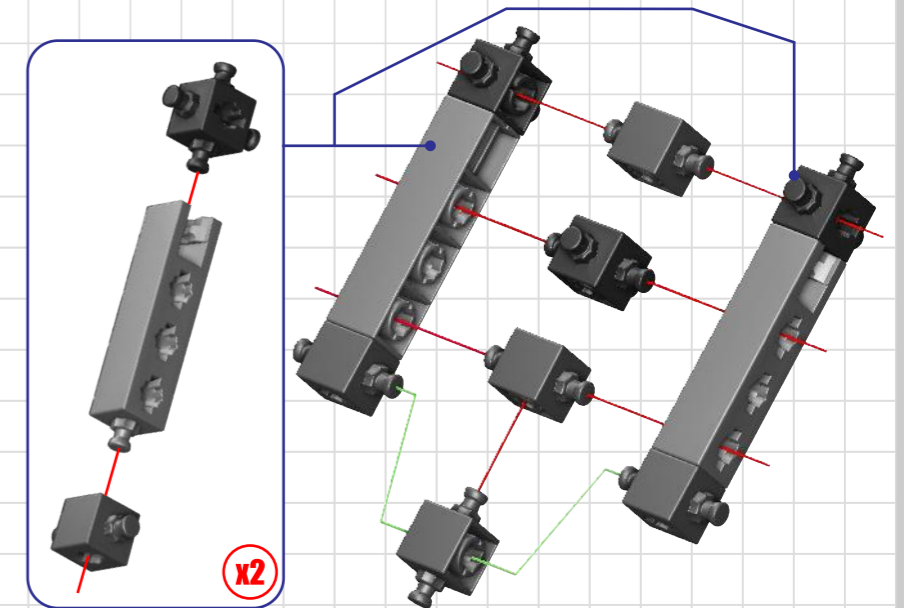
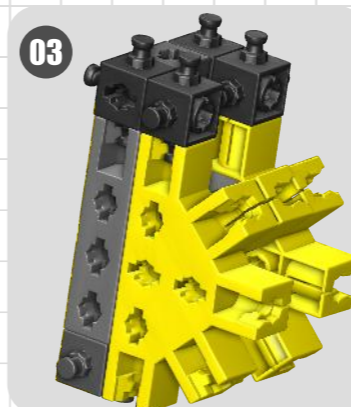
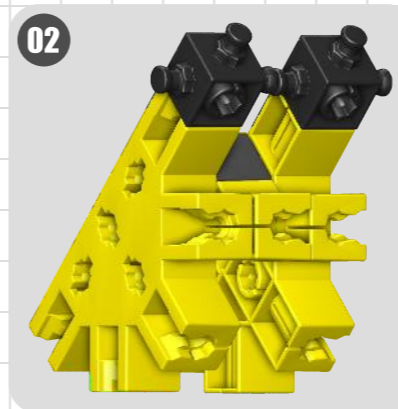
B Download the app to discover step-by-step instructions in 3D view!

**Engino kidCAD (3D Viewer)** app:



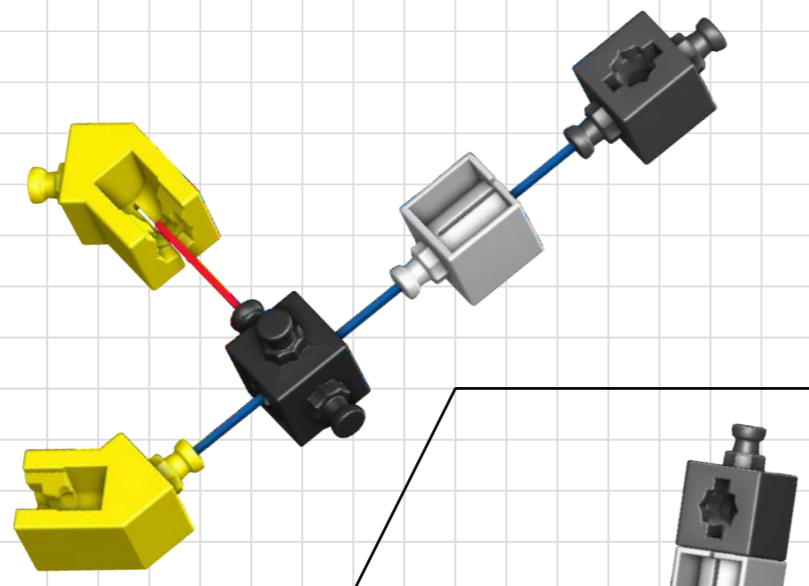
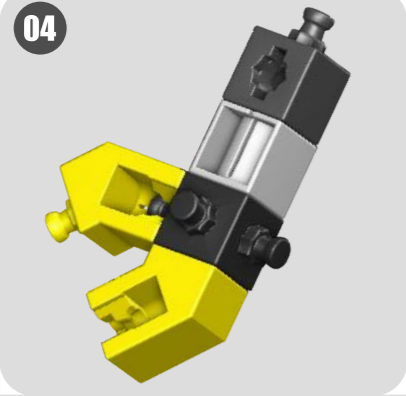
07

## Building Instructions

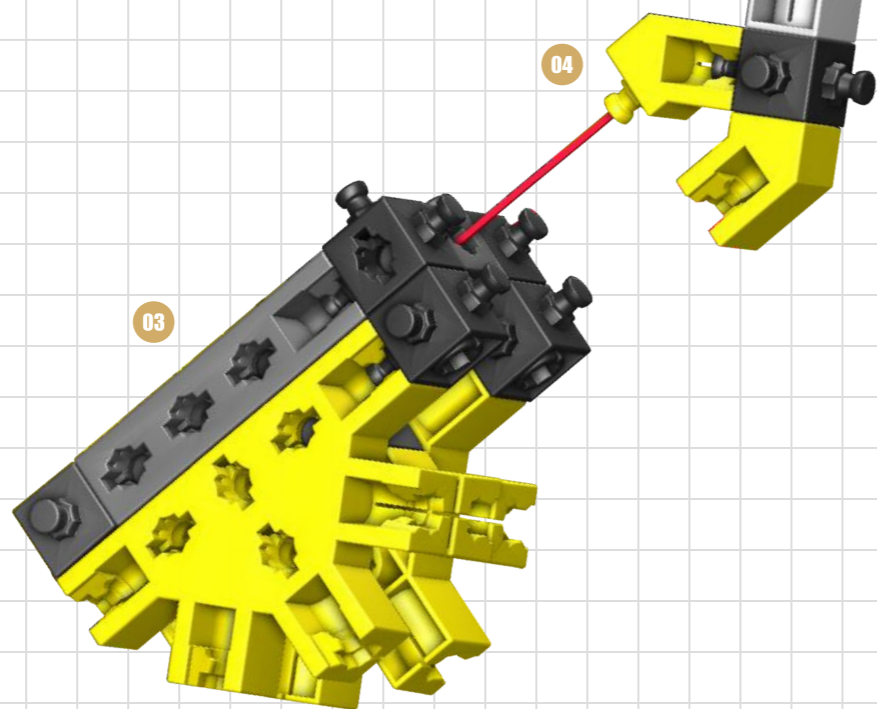
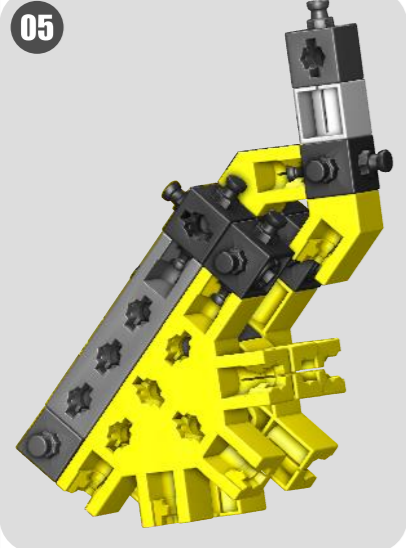


08

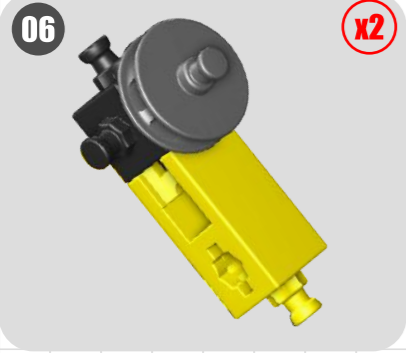
04



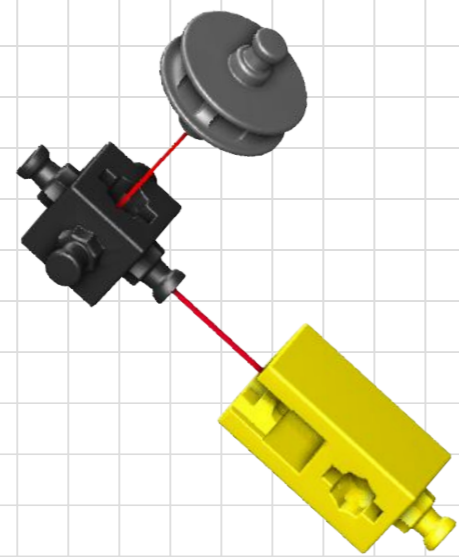
05



06

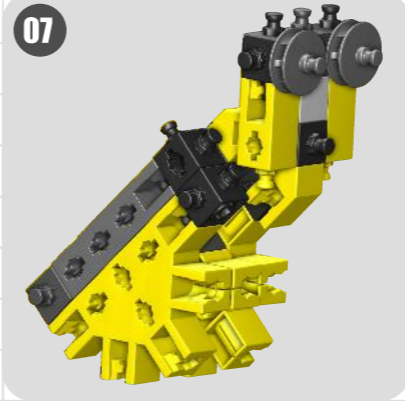


x2

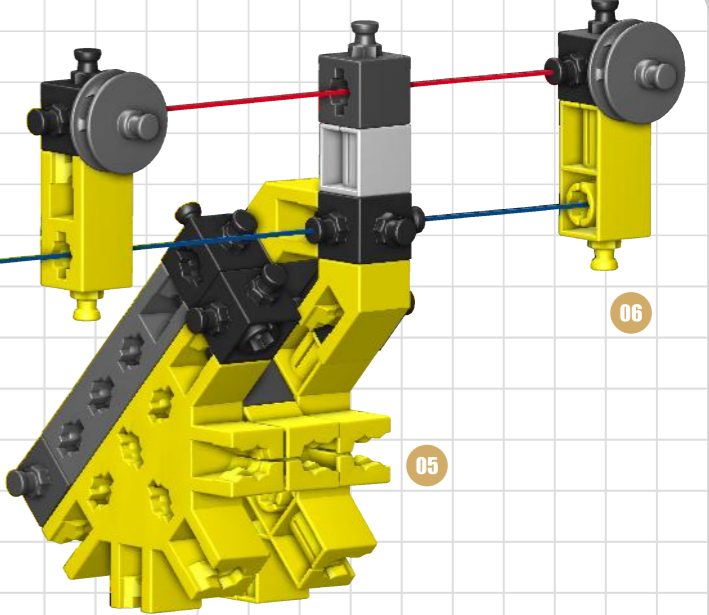


09

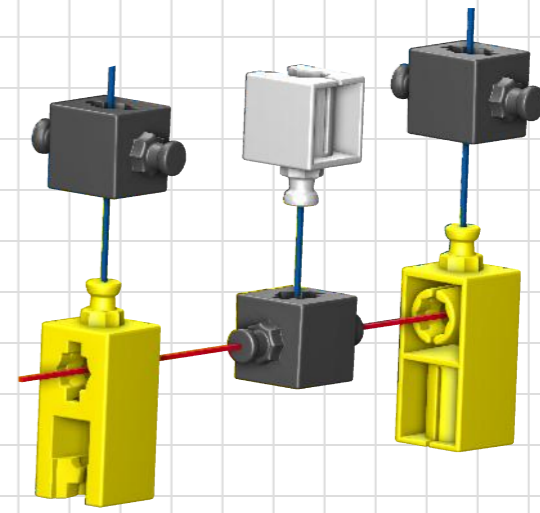
07



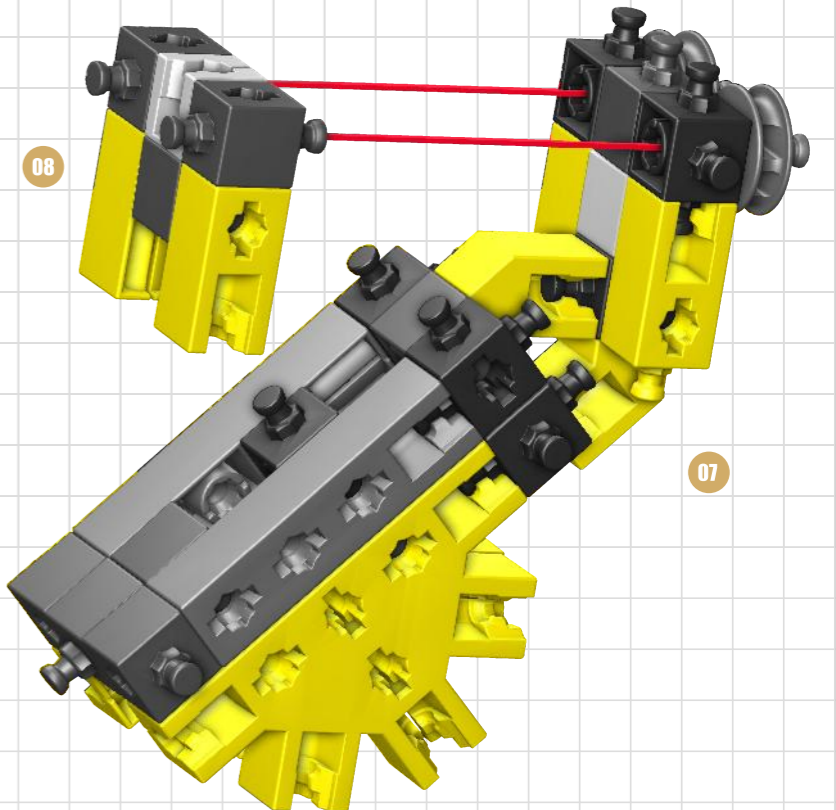
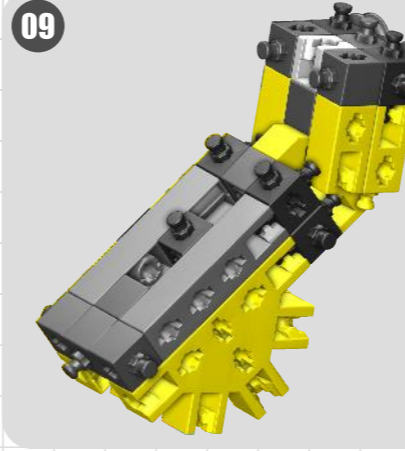
06



08



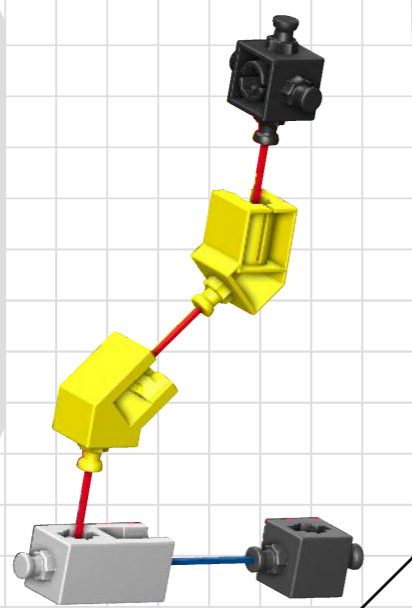
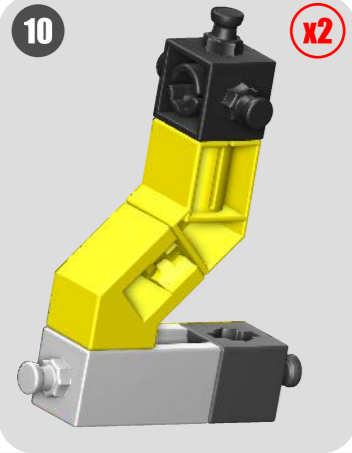
09



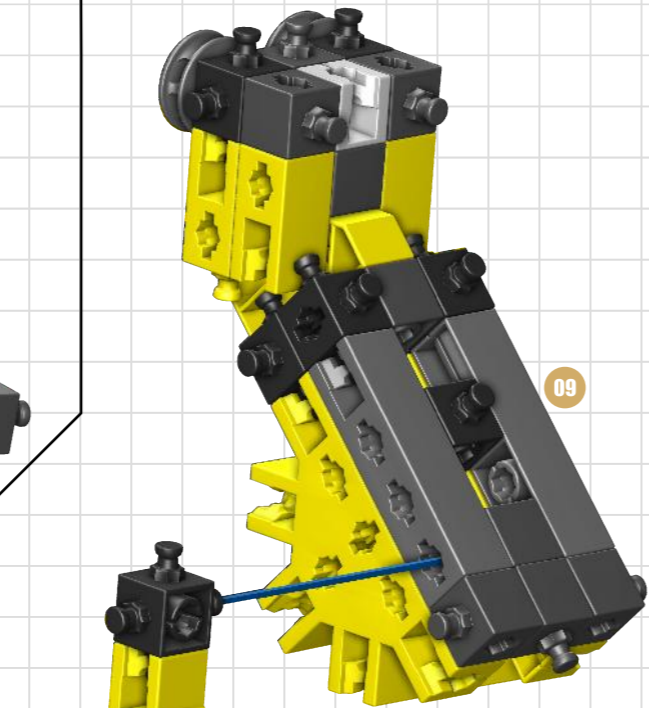
10

10

x2



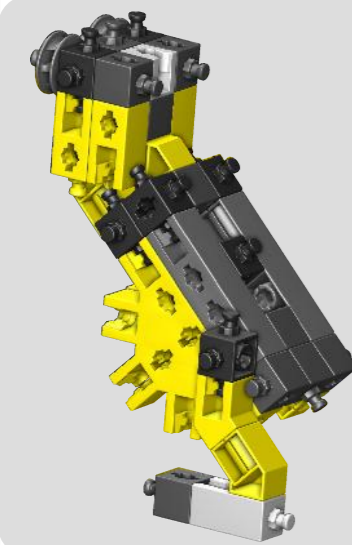
09



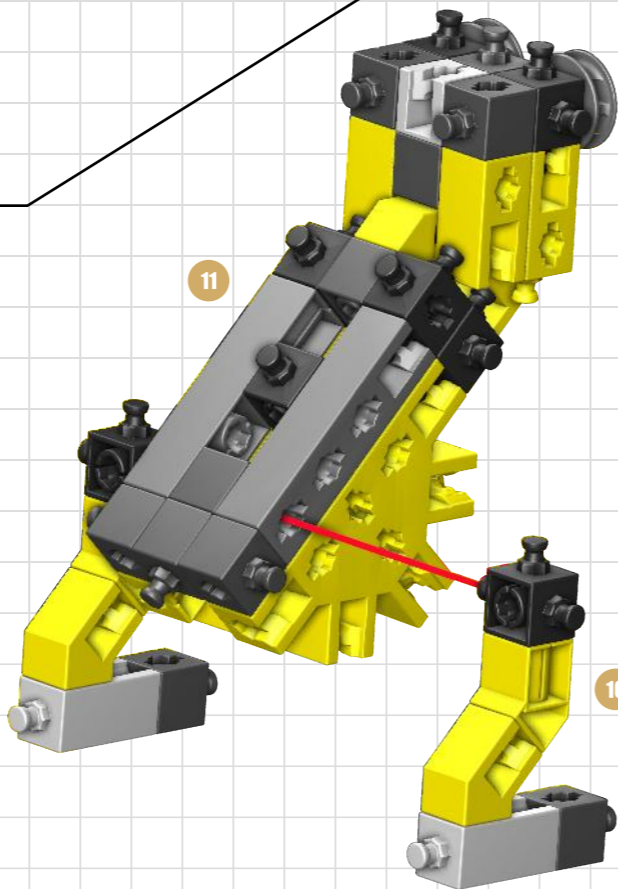
10



11

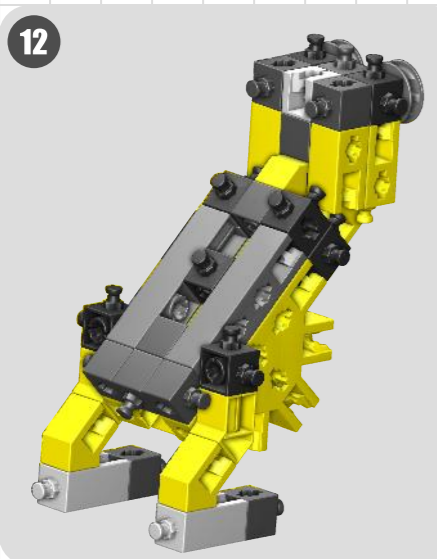


11

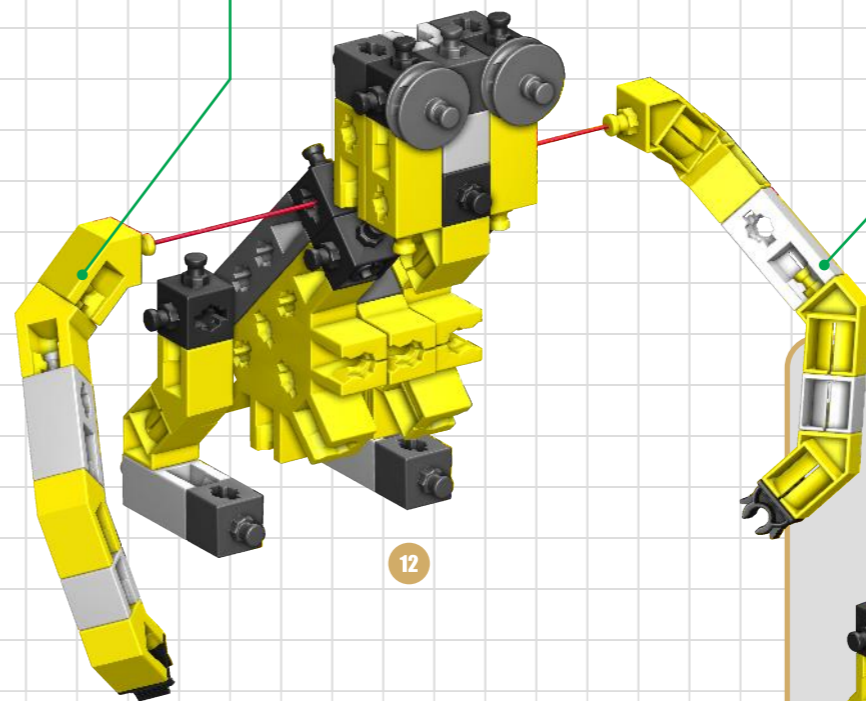
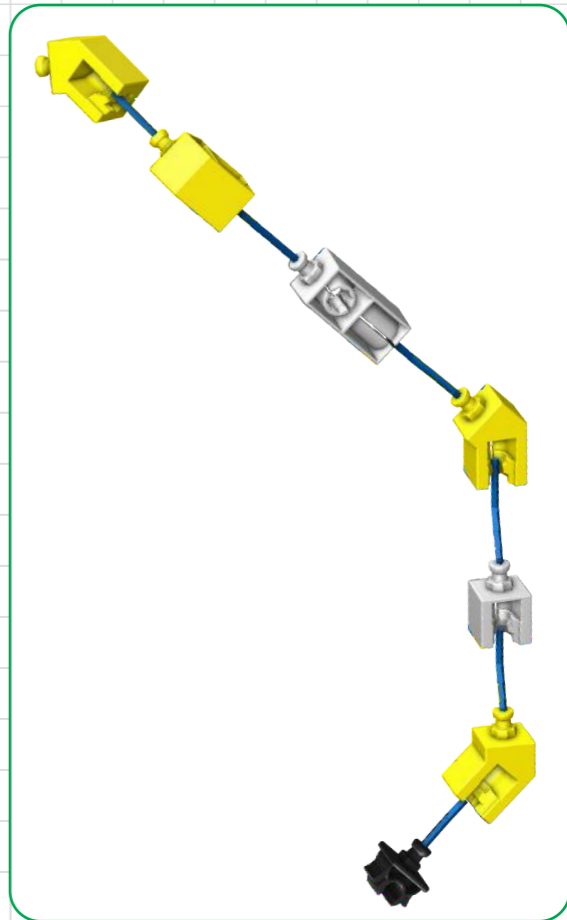
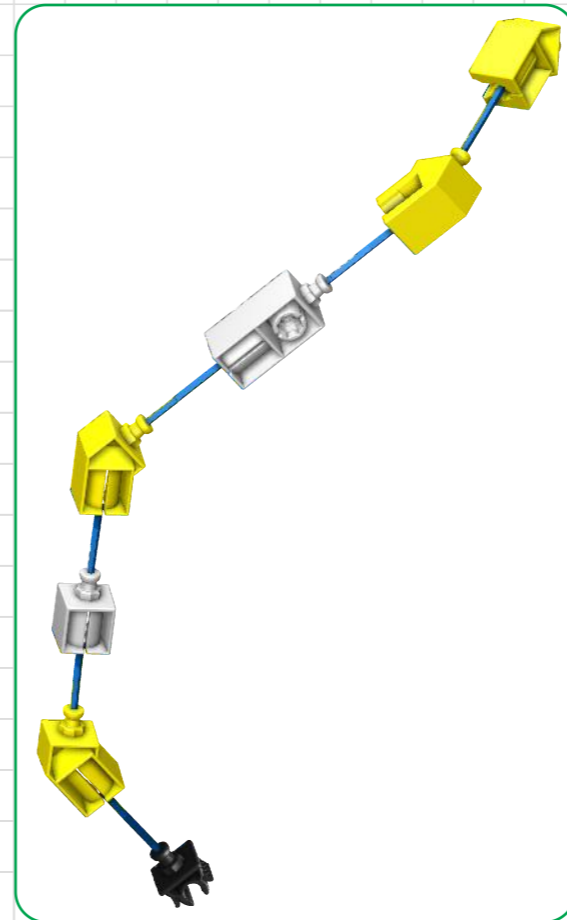


10

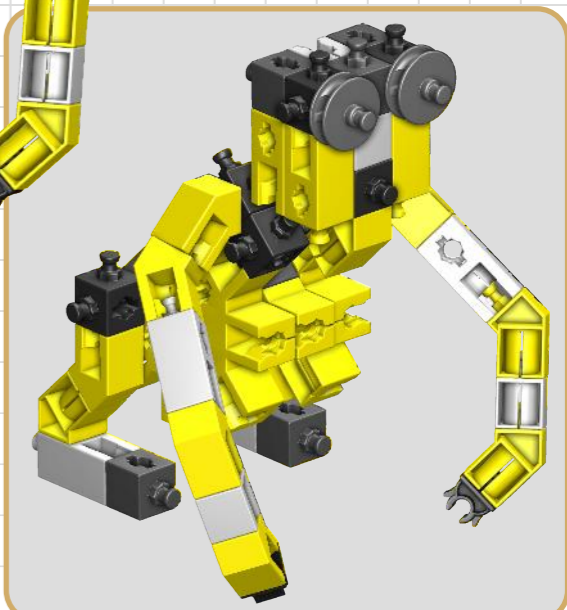
12



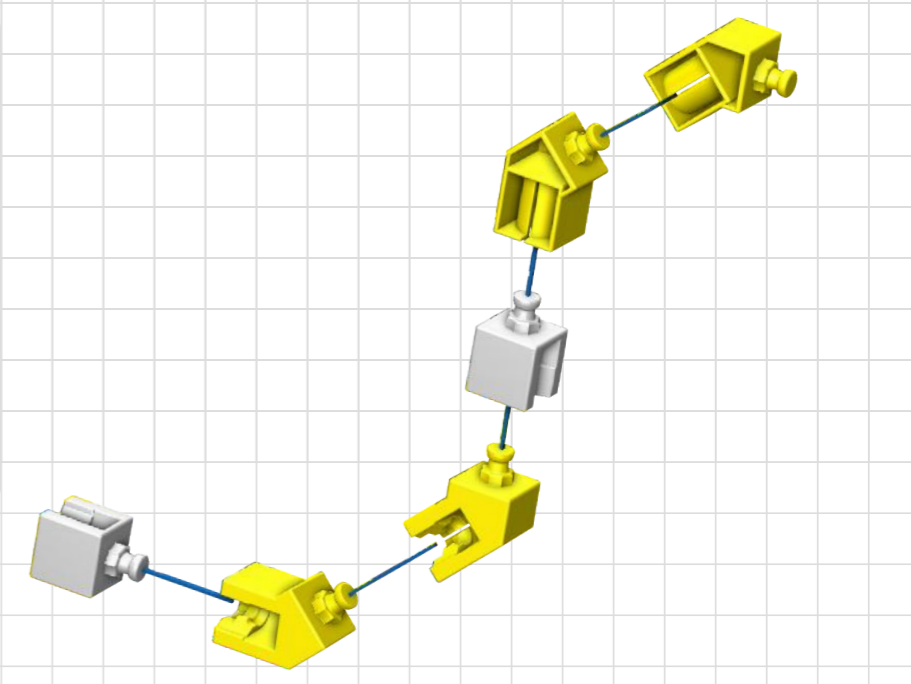
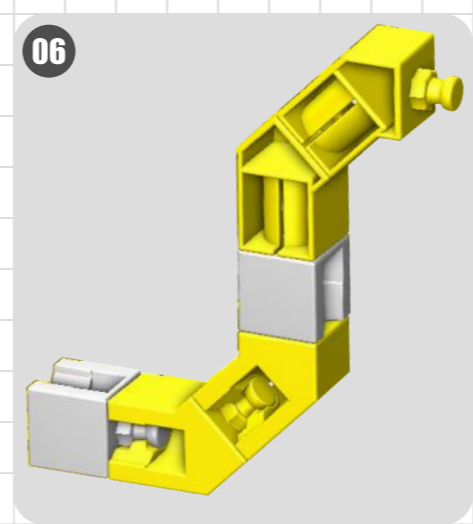
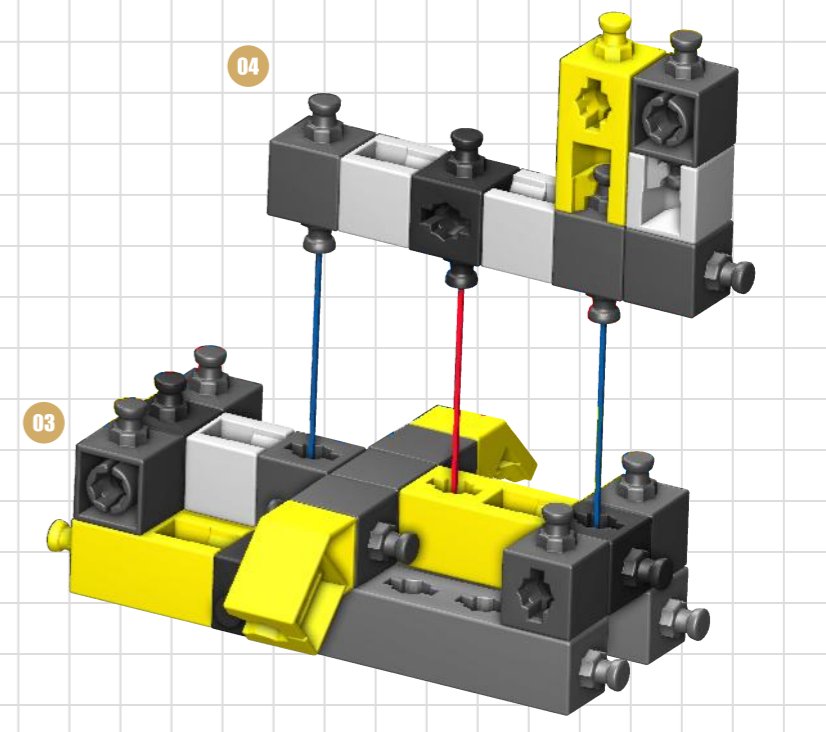
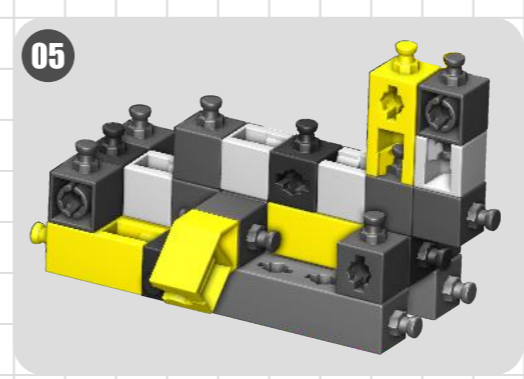
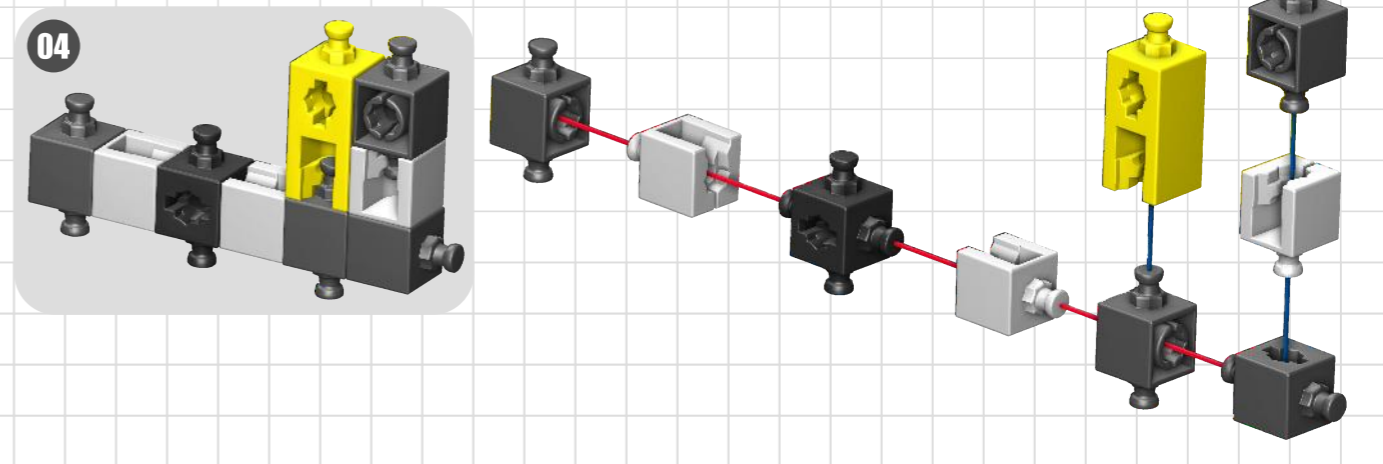
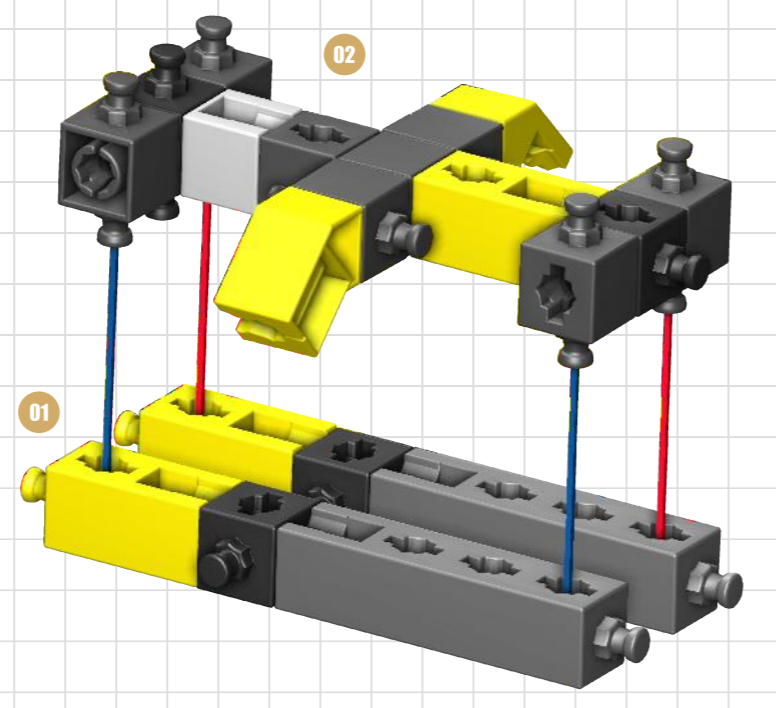
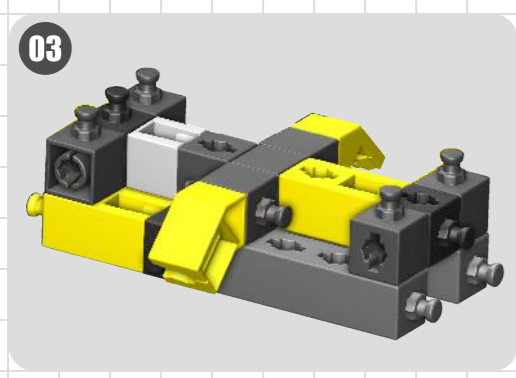
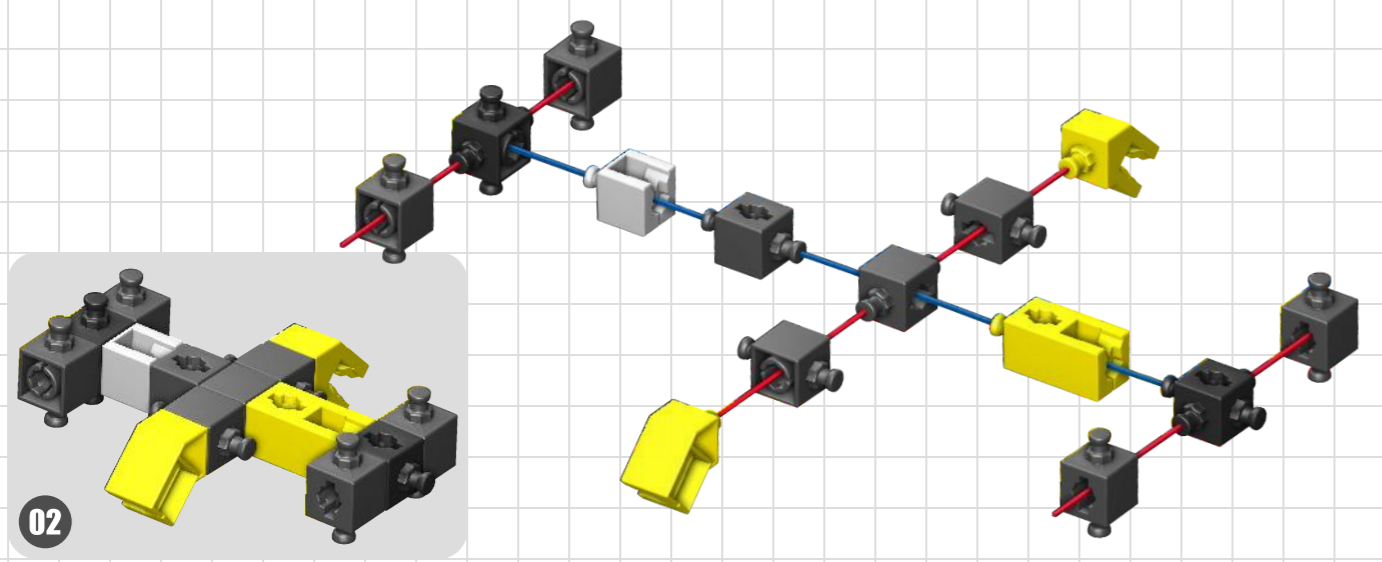
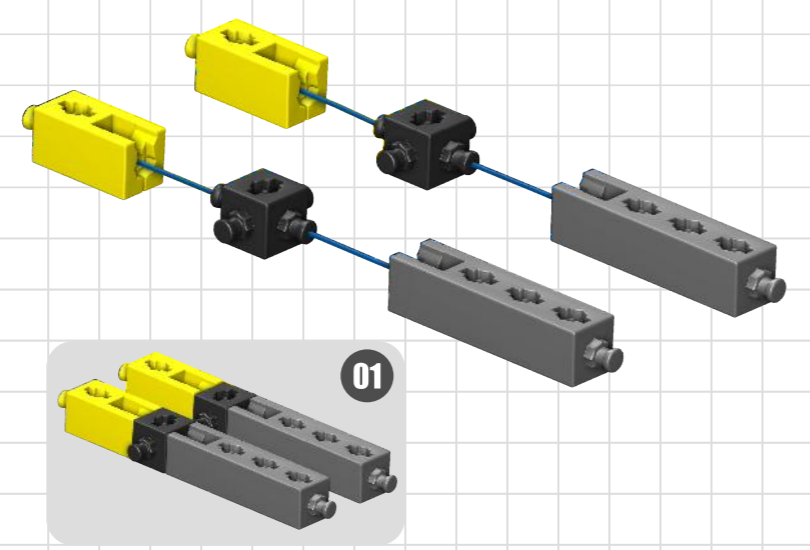
11



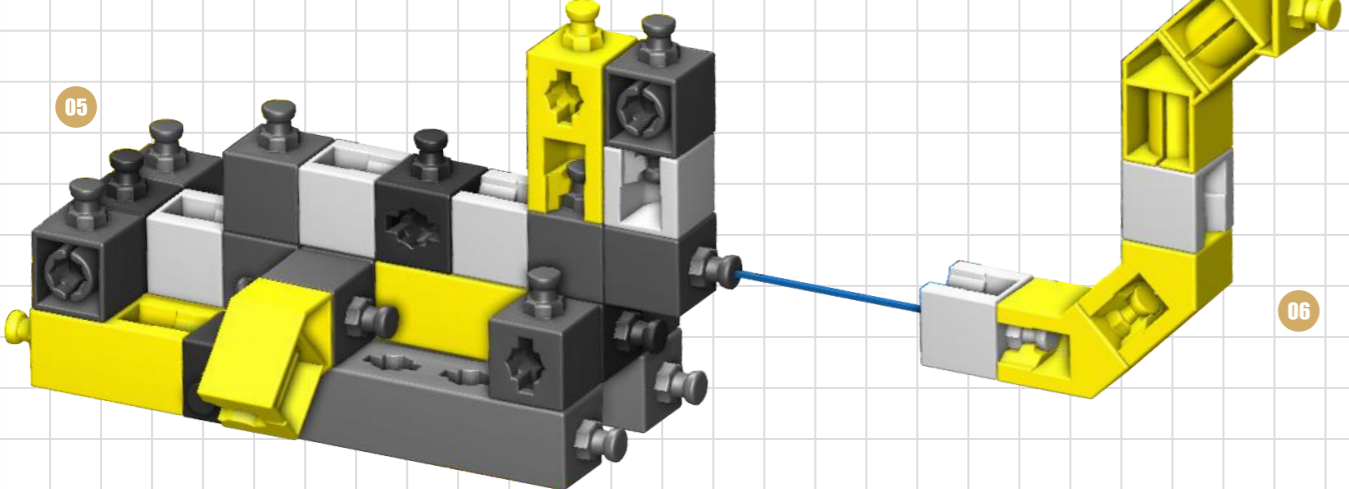
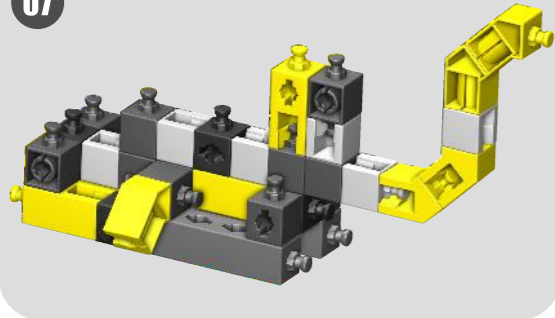
12



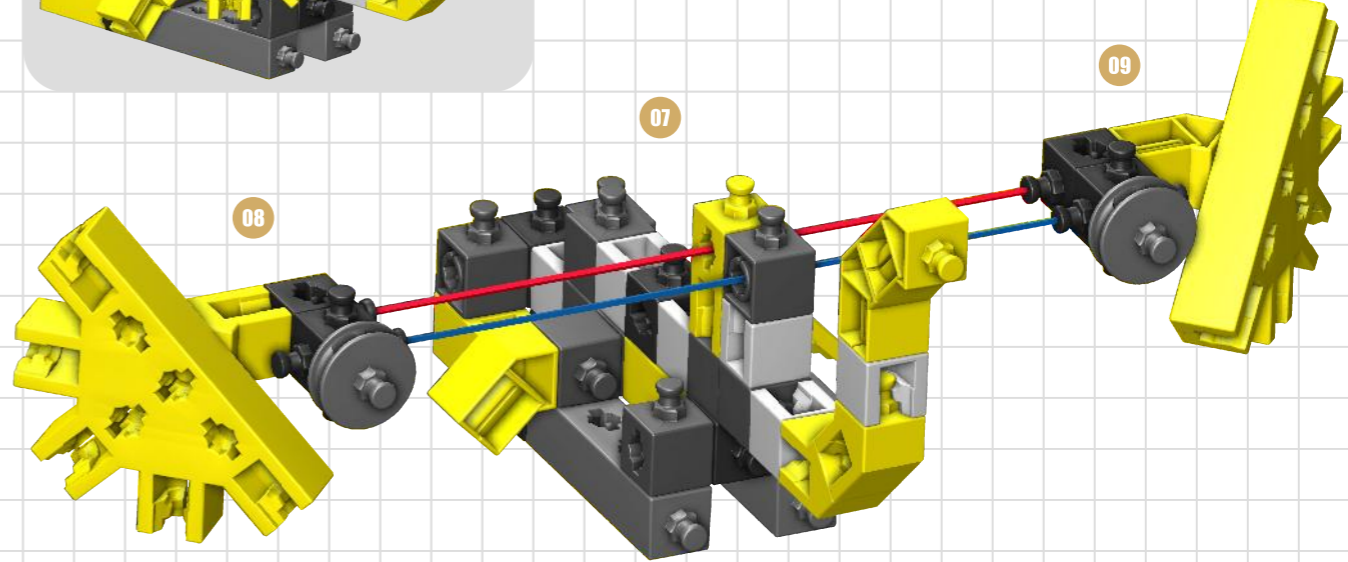
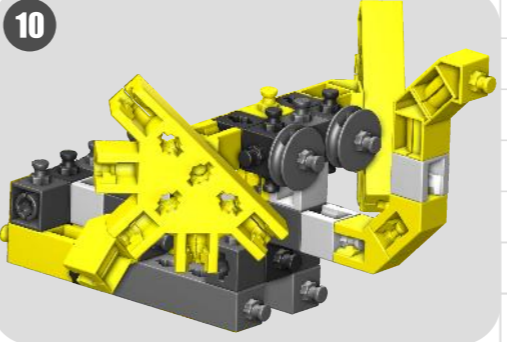
12



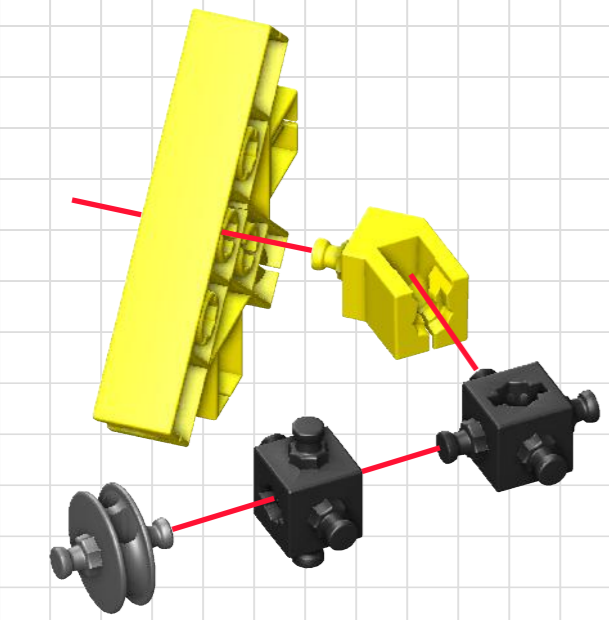
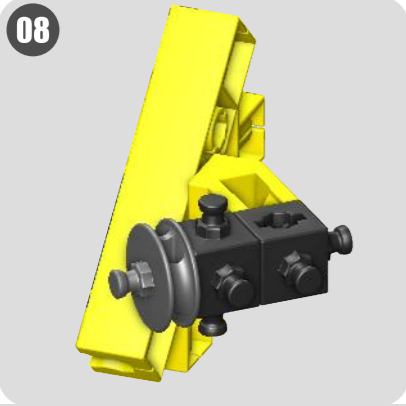
07



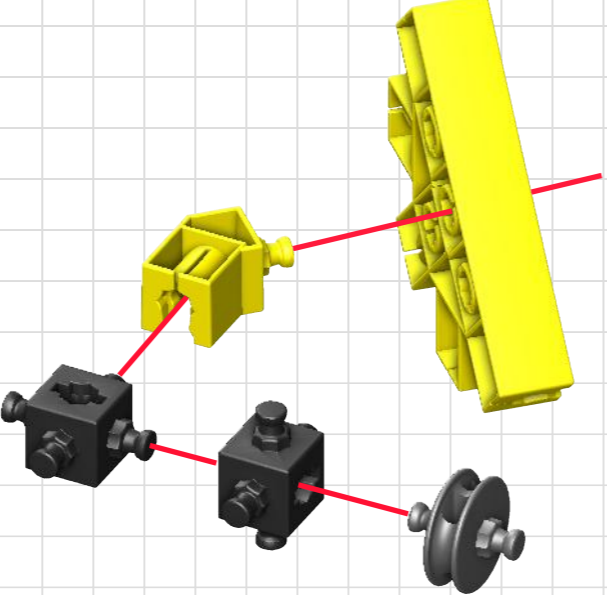
10



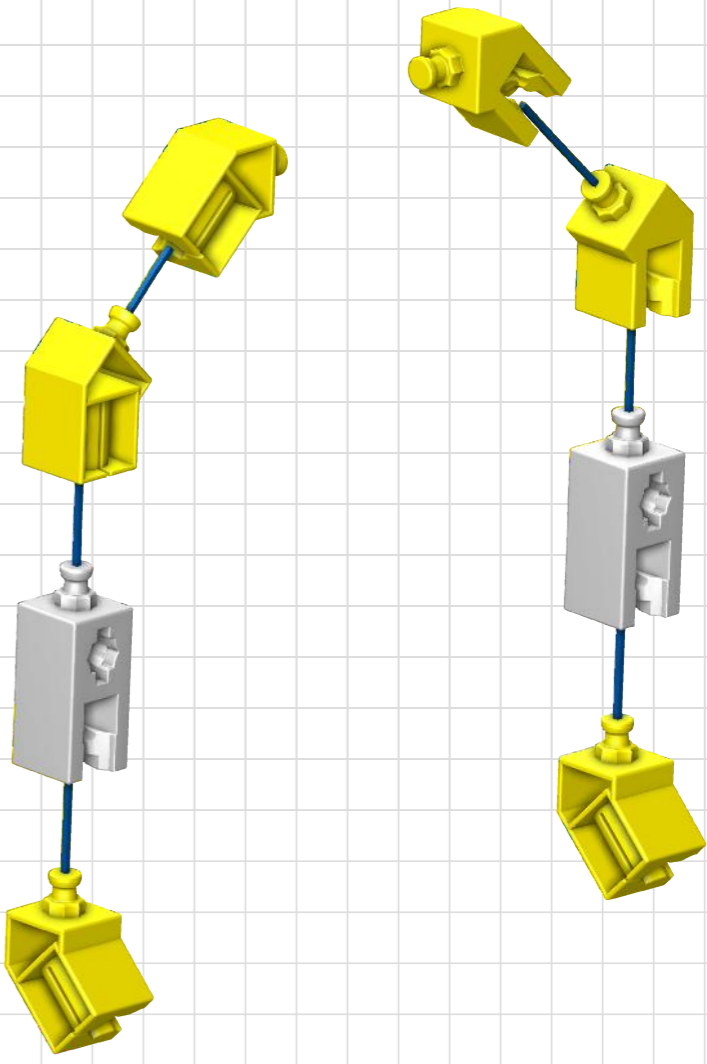
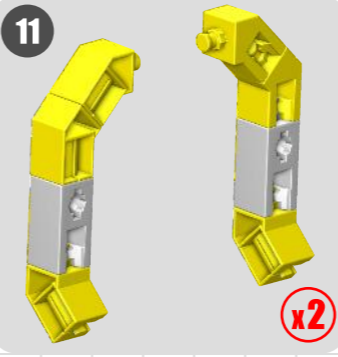
08



09



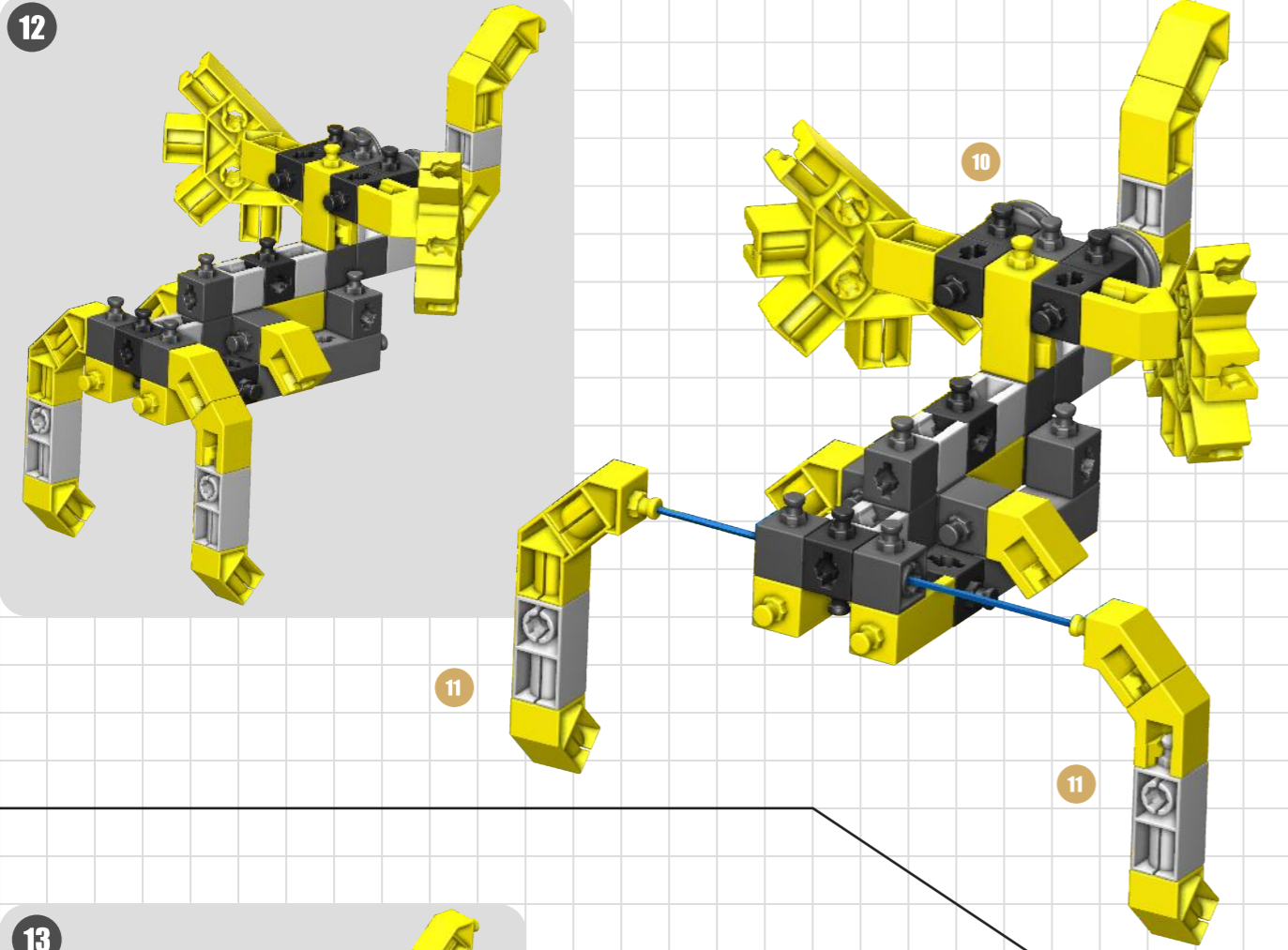
11



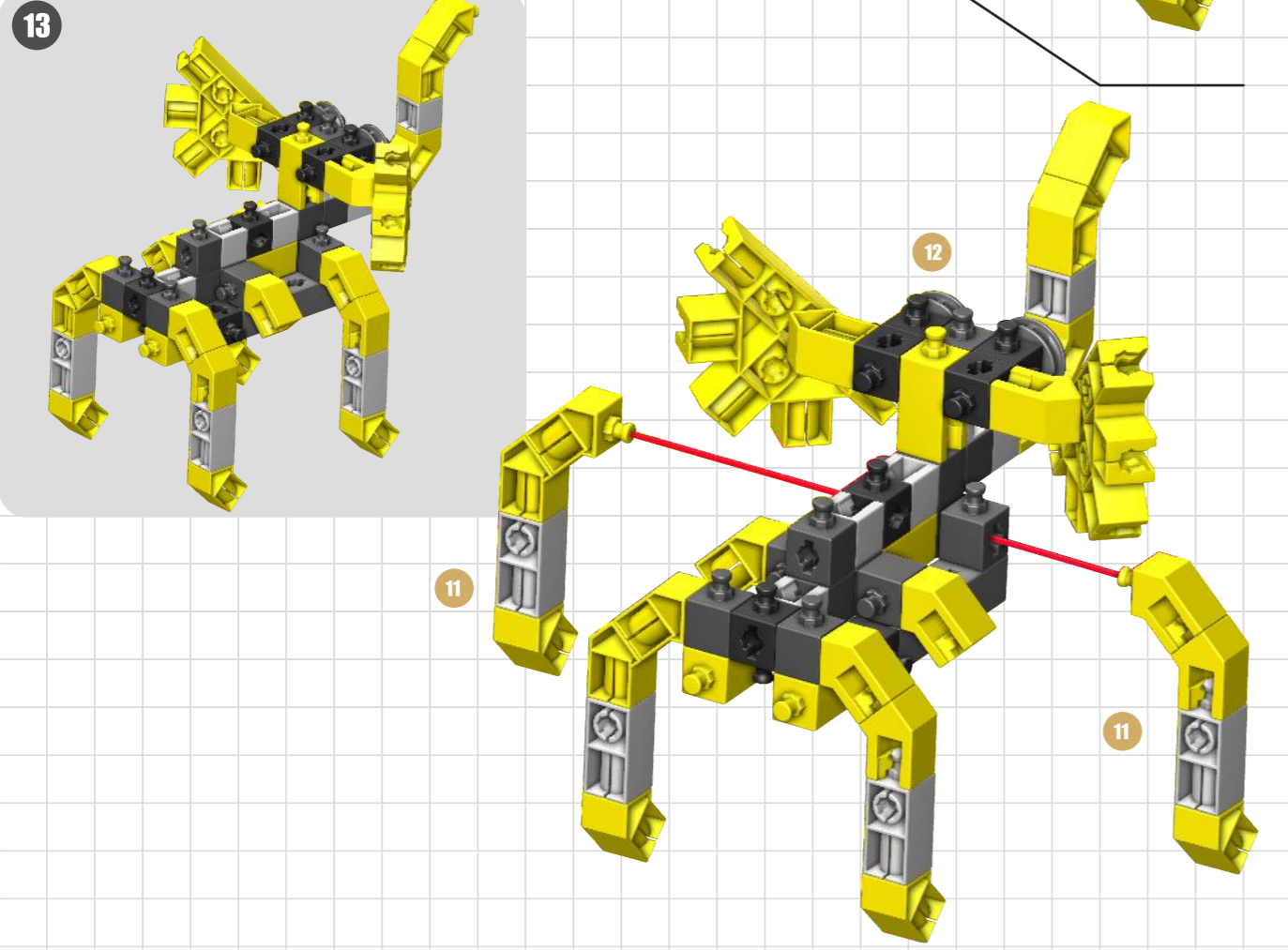
15

16

12

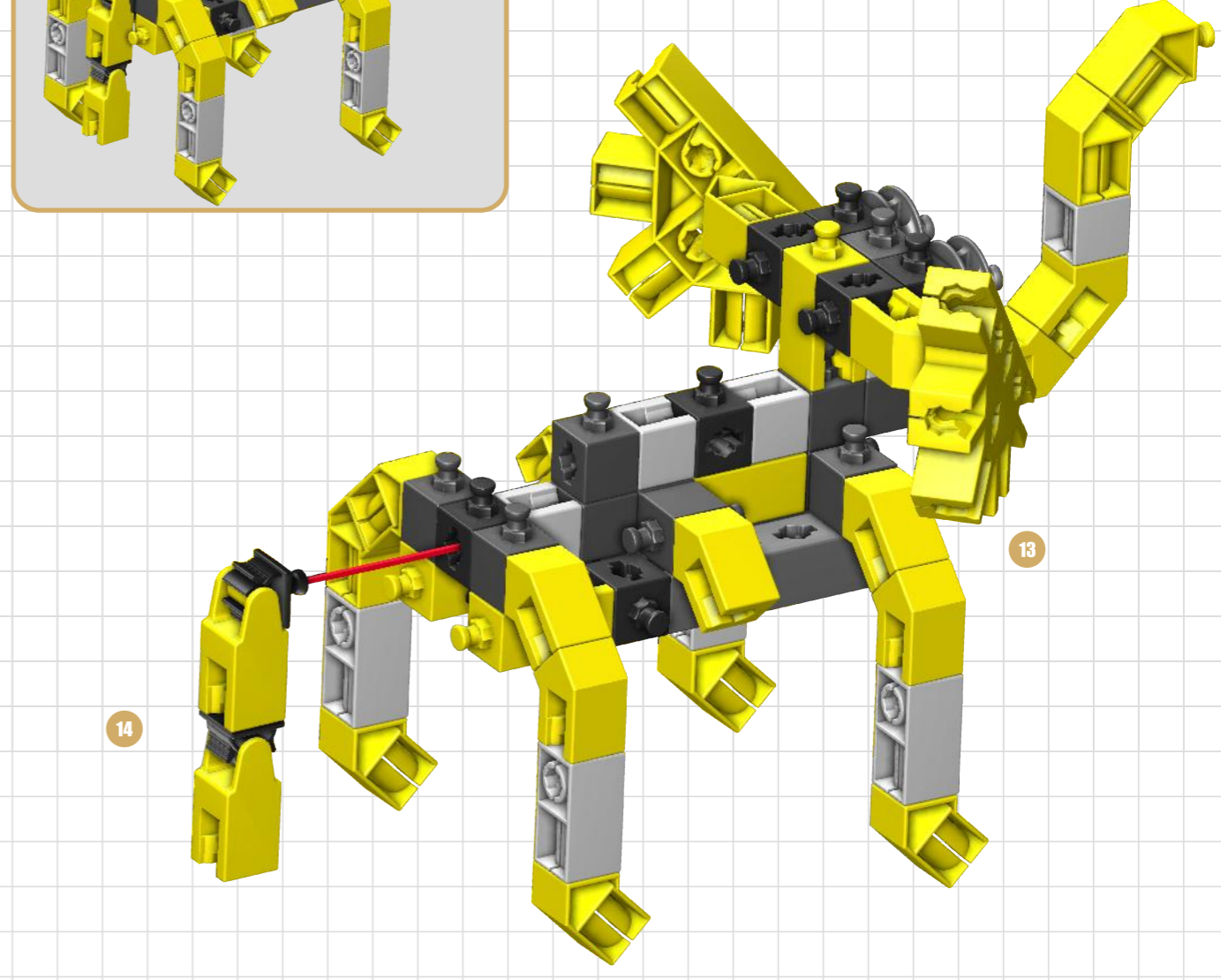
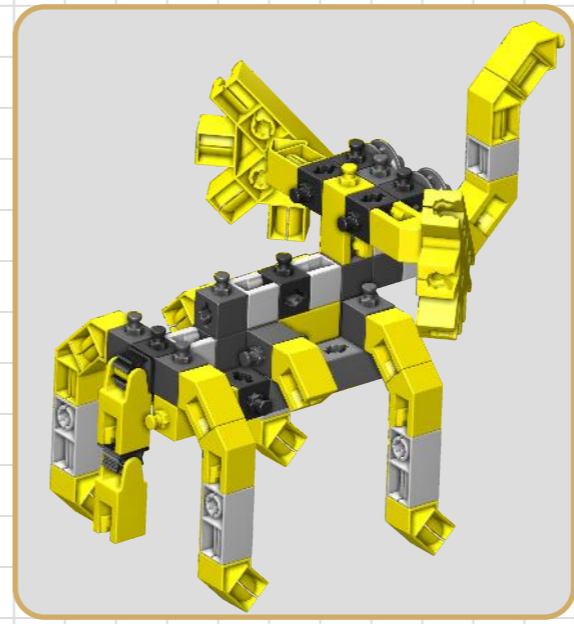
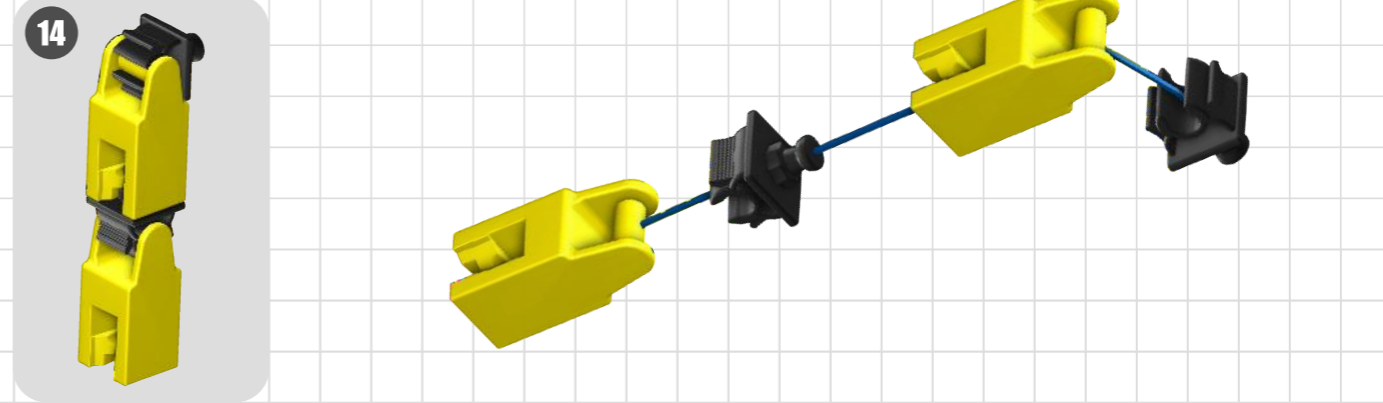


13



17

14



18