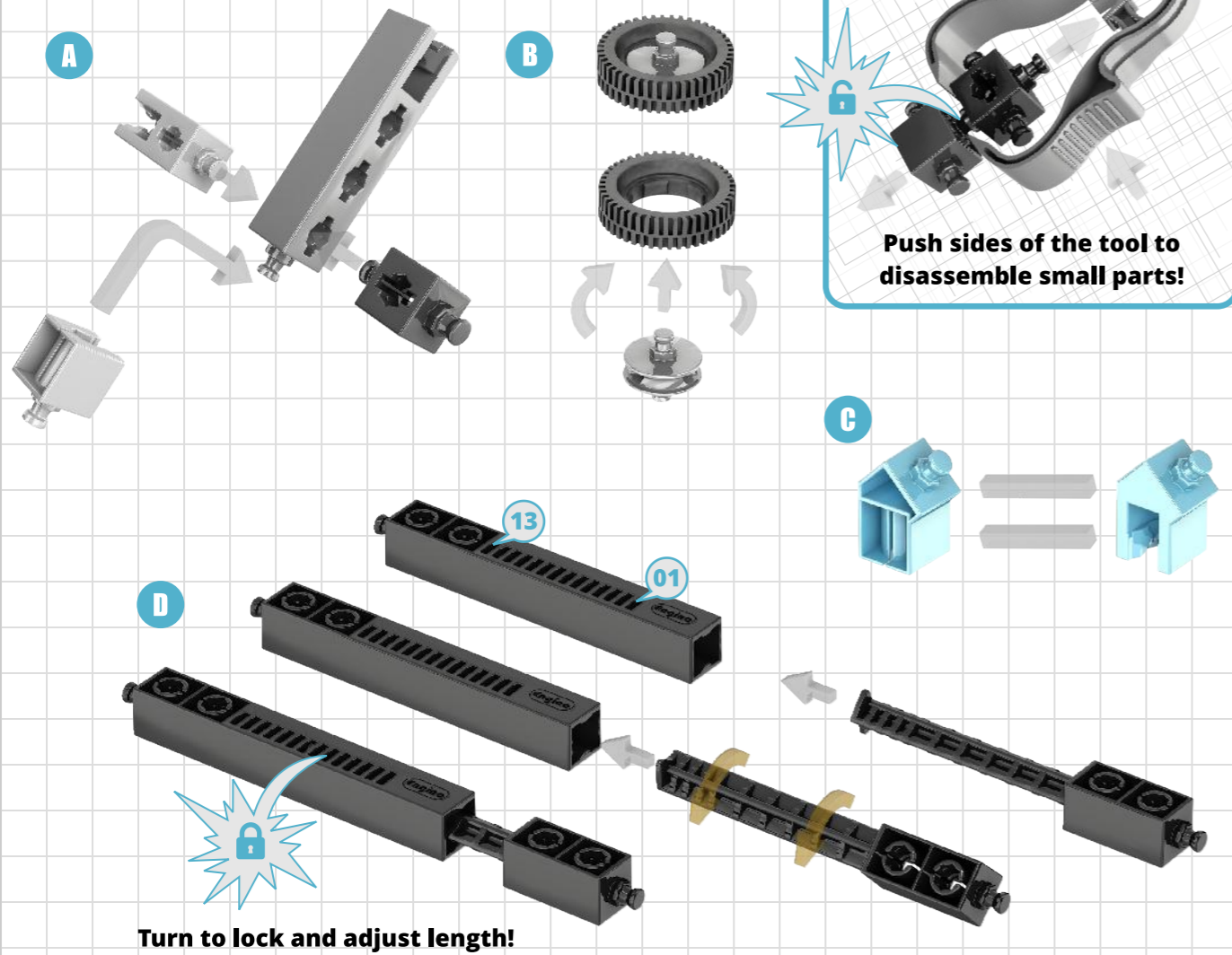


Building Tips



More models online

- A** Use your PC or tablet and go to the following link for more models:

www.egino.com/instructions/sth51

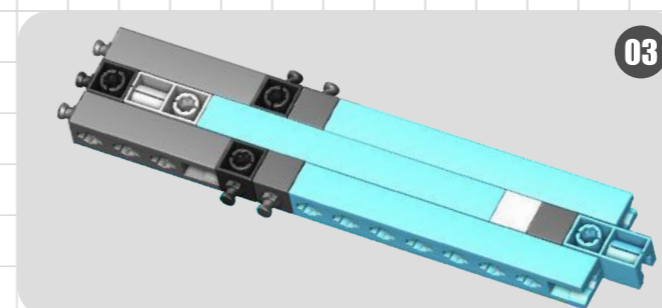
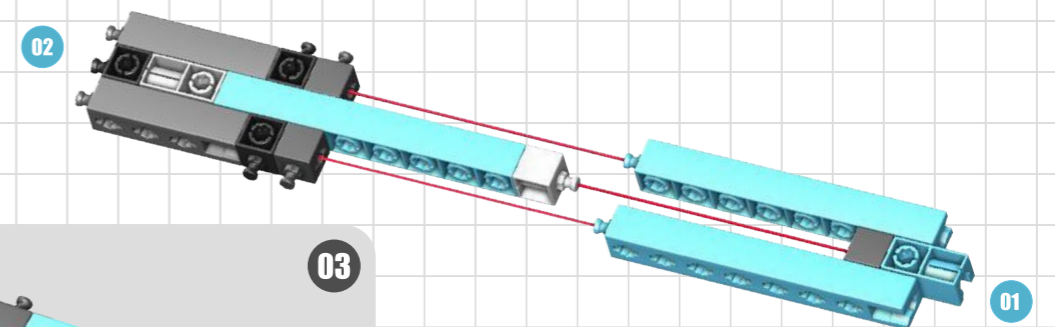
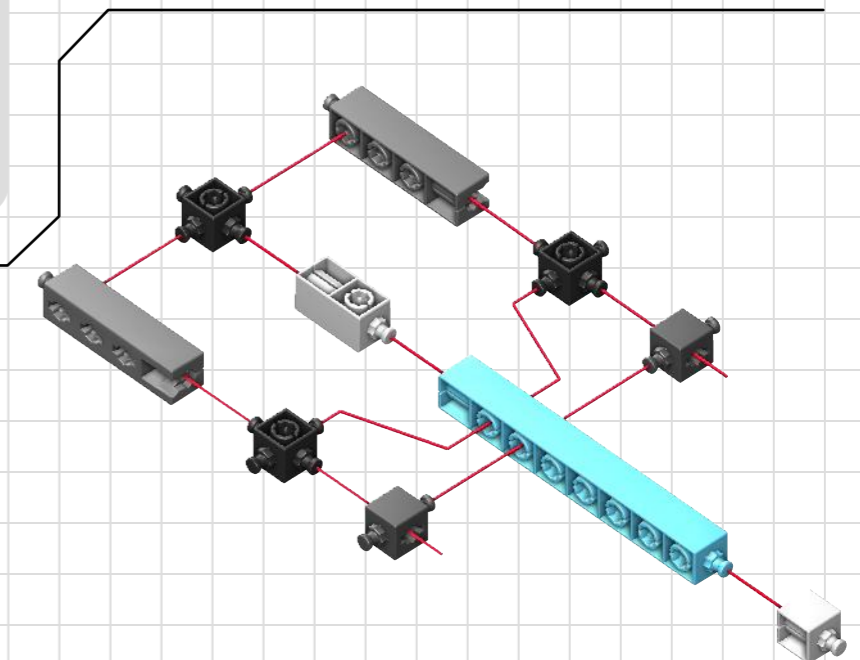
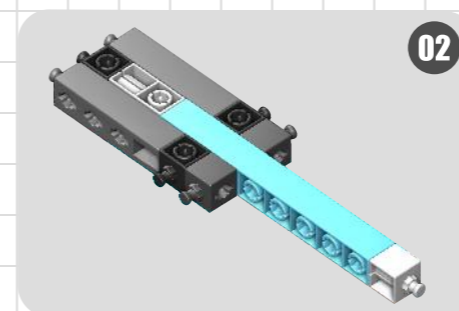
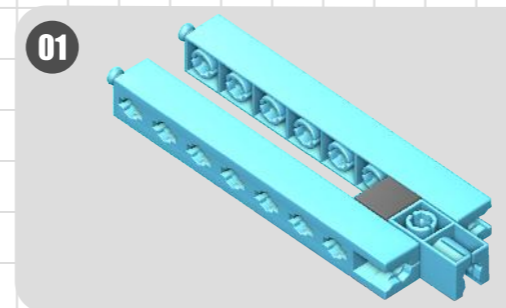
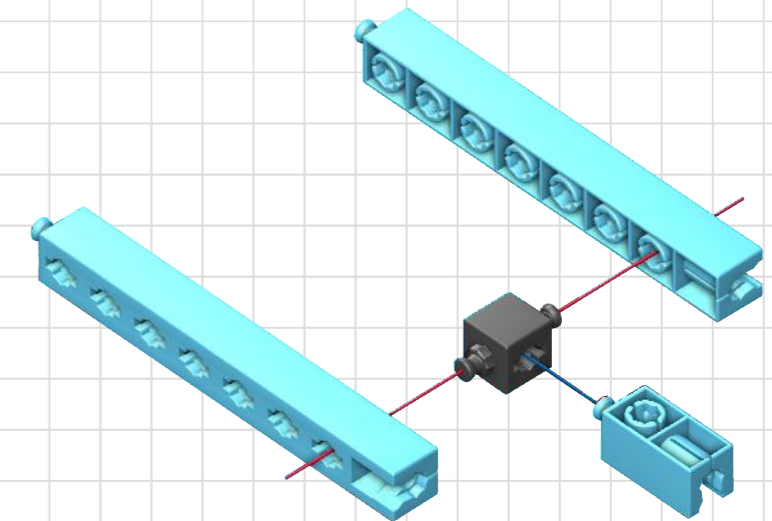
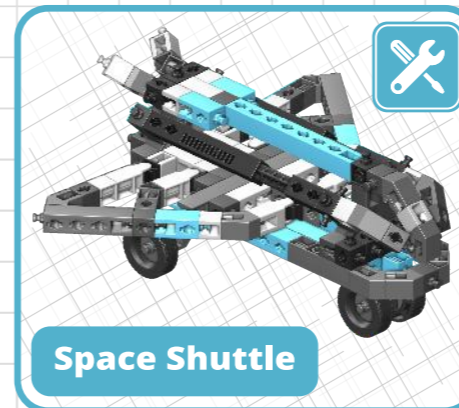
- B** Download the app to discover step-by-step instructions in 3D view!

Engino kidCAD (3D Viewer) app:

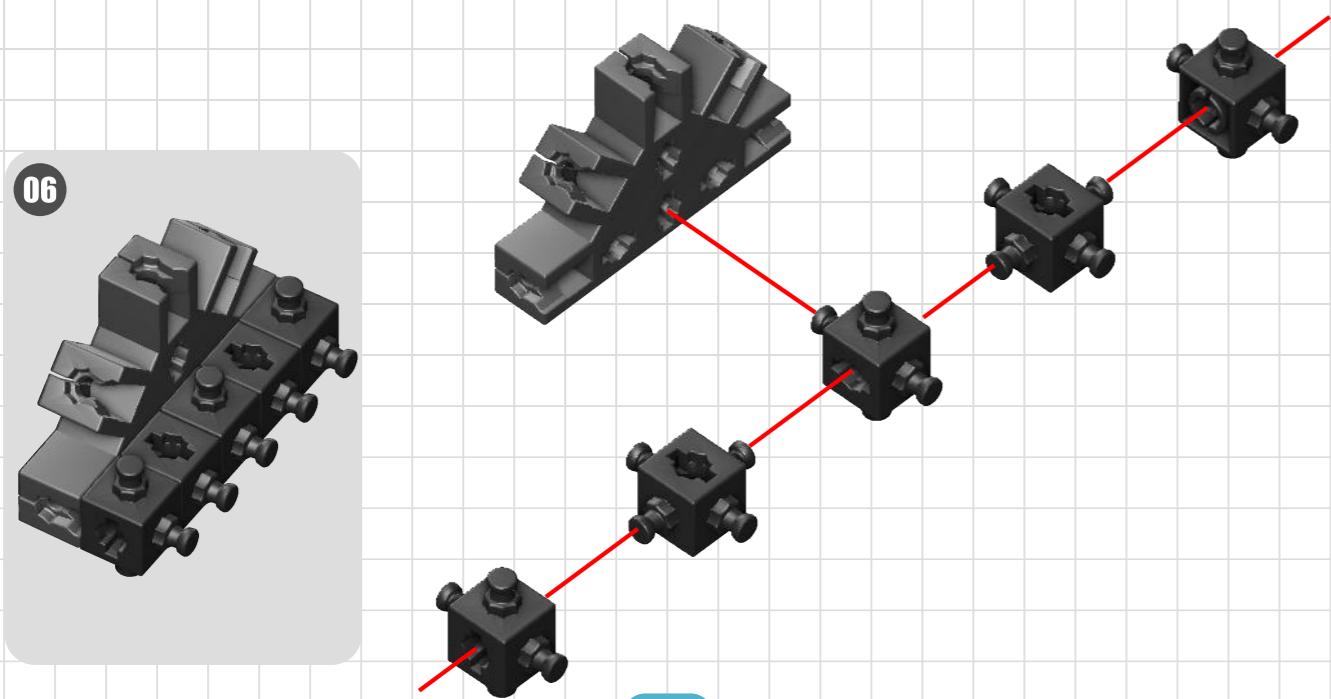
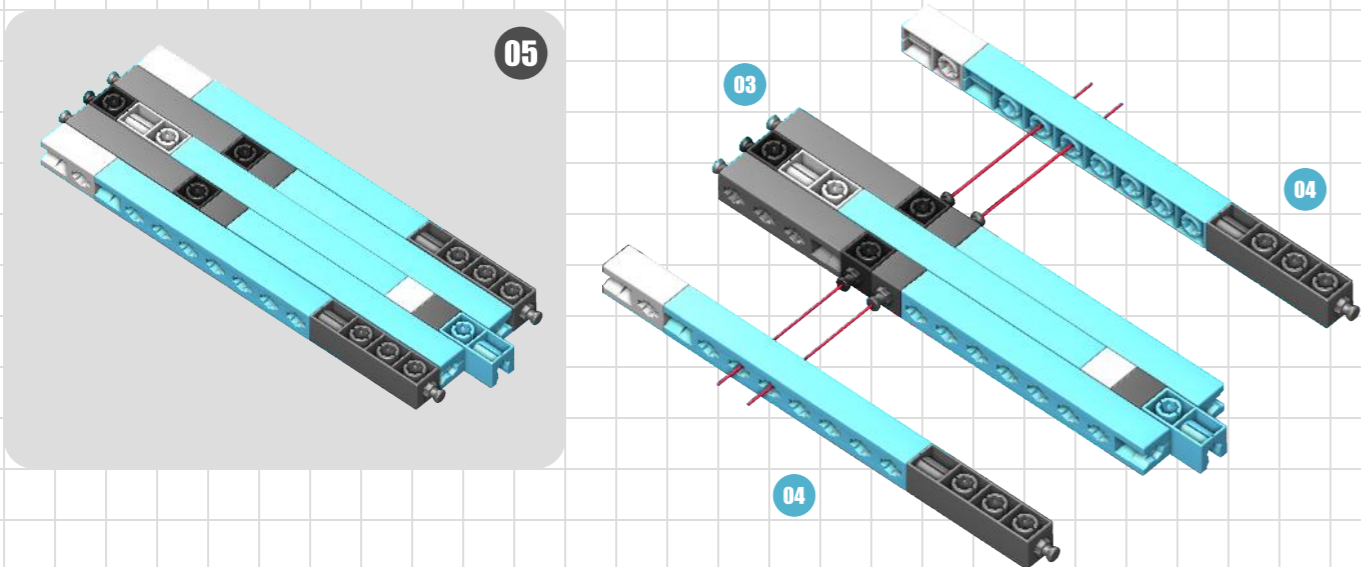
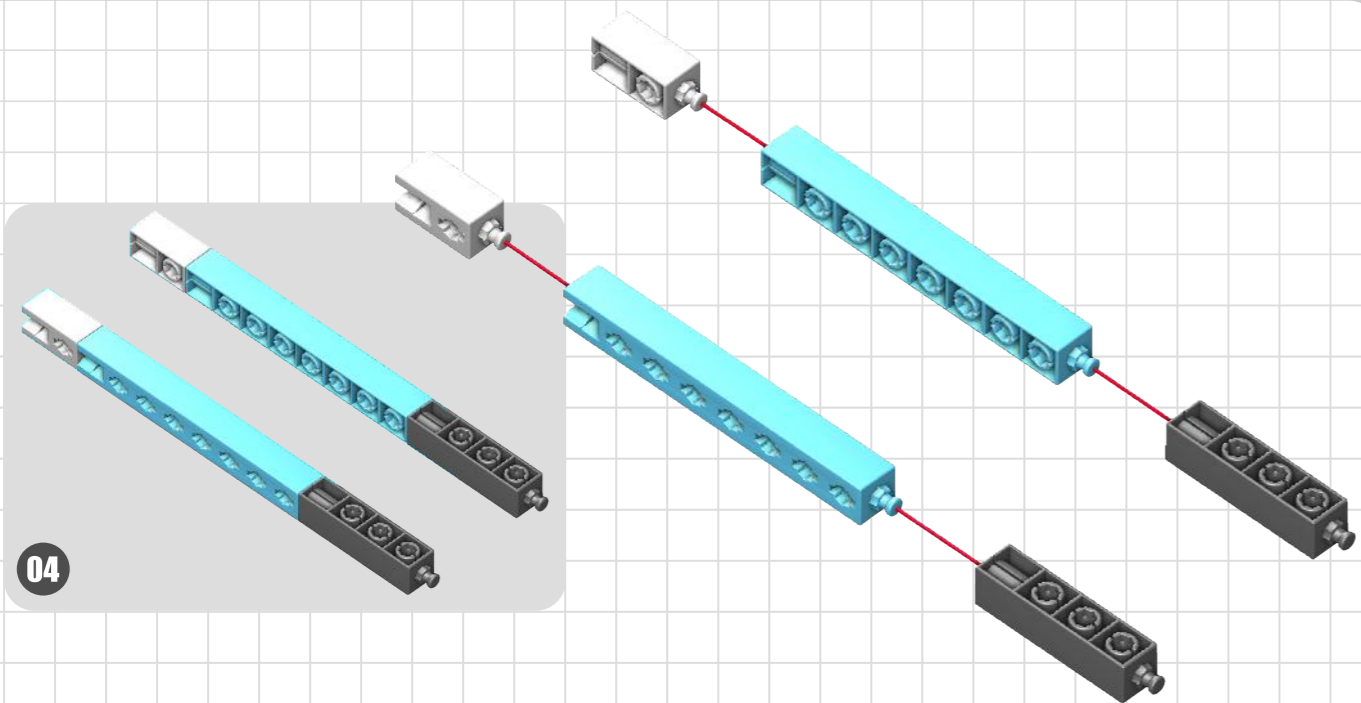


09

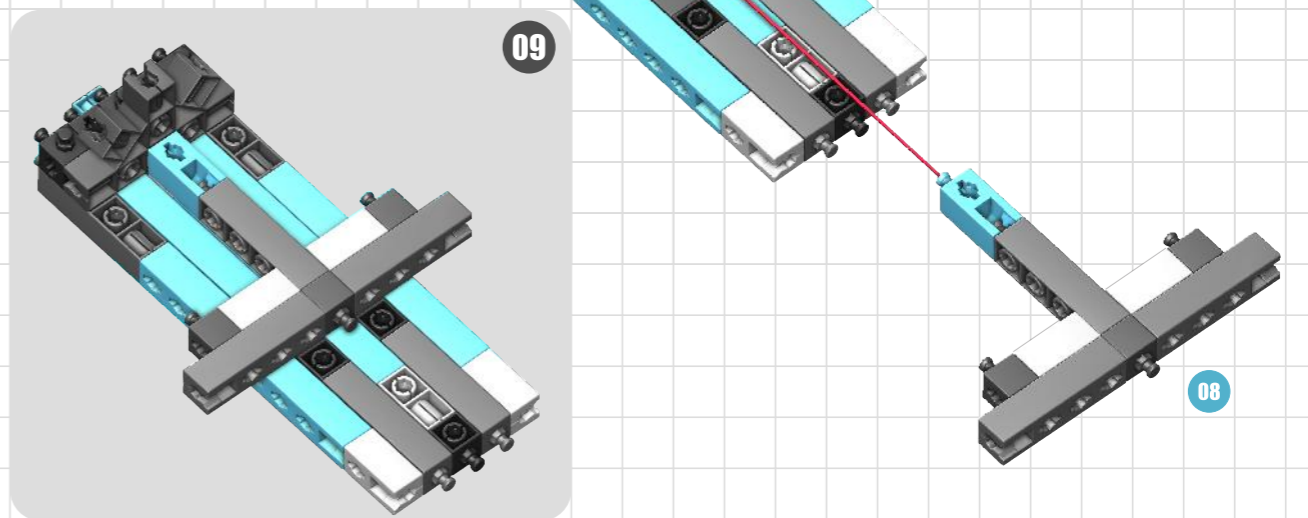
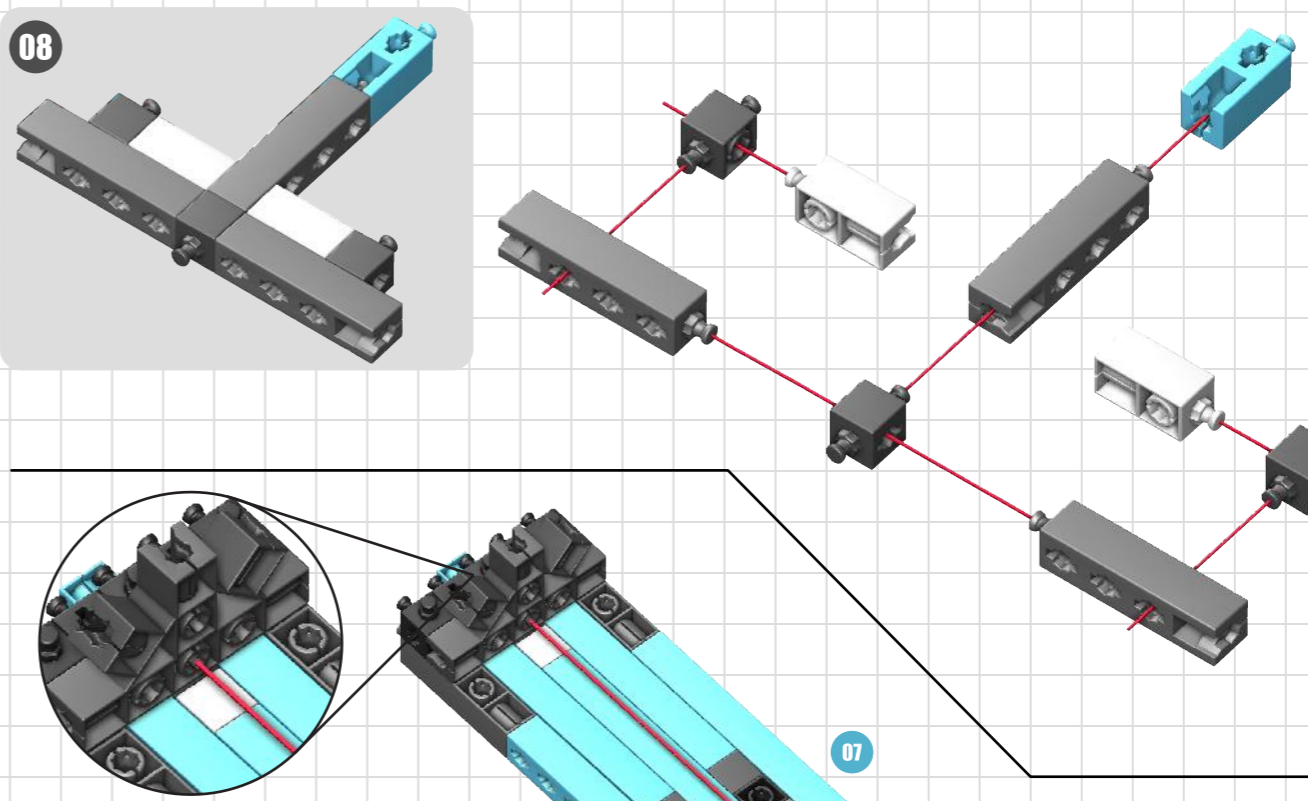
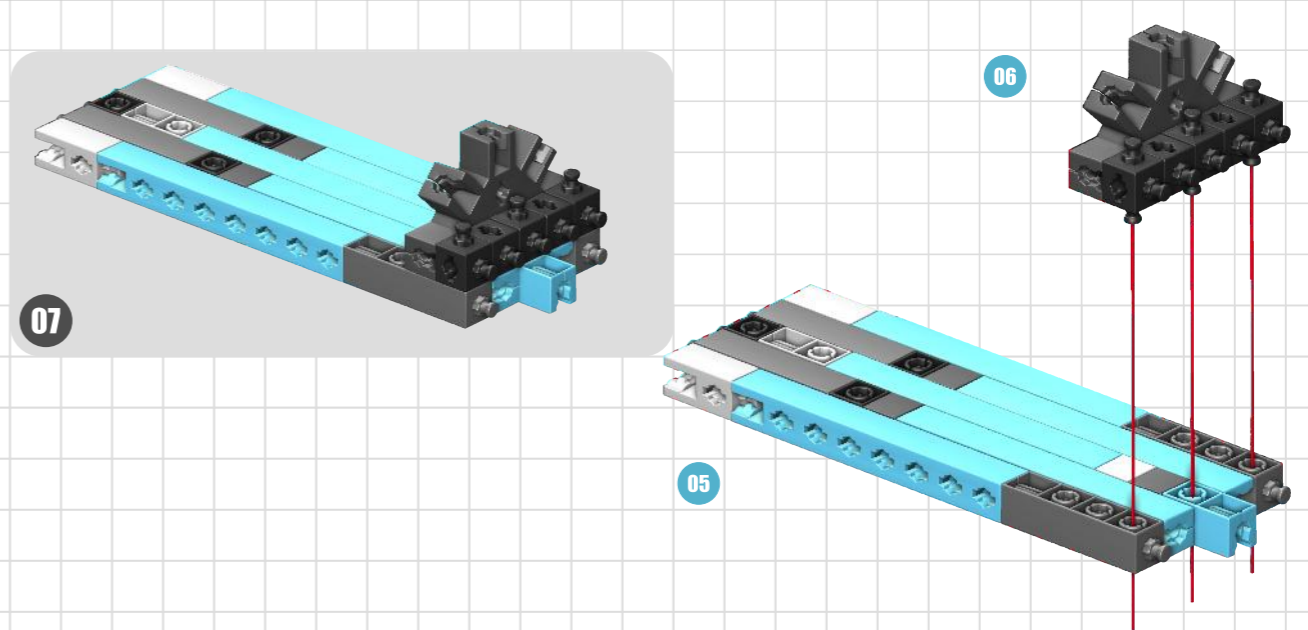
Building Instructions



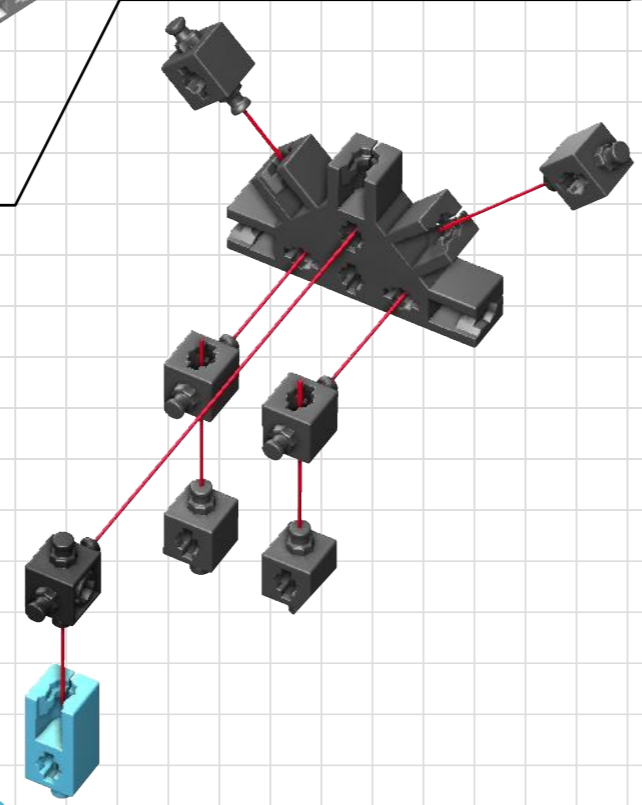
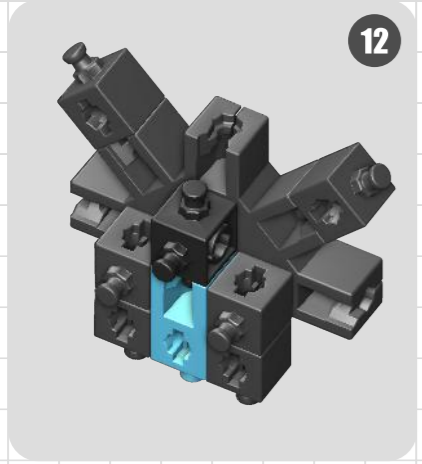
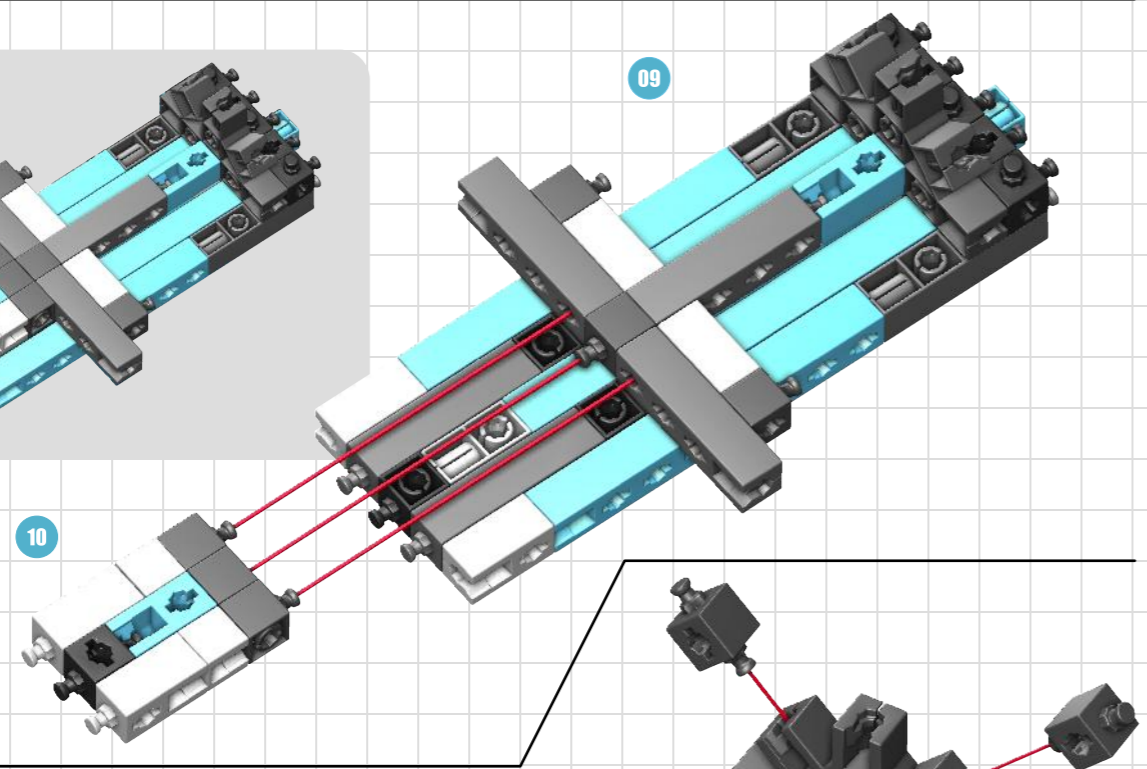
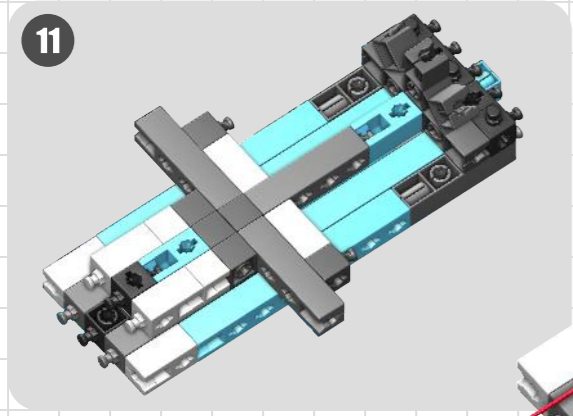
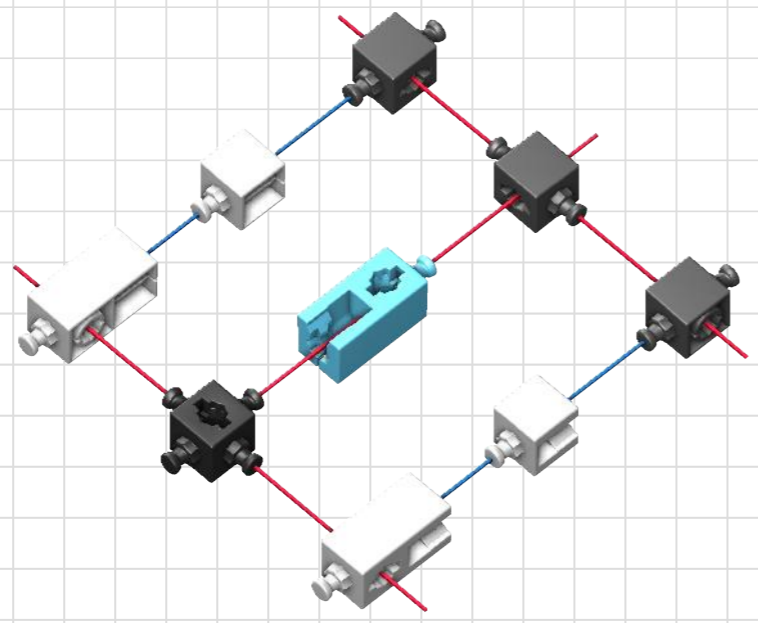
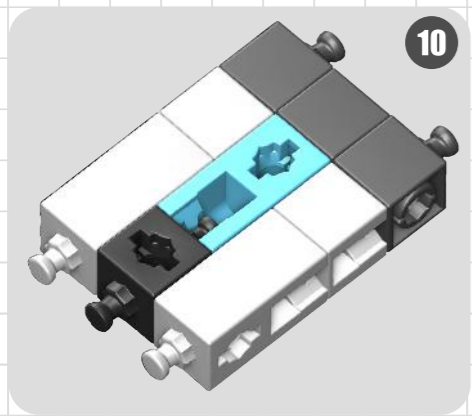
10



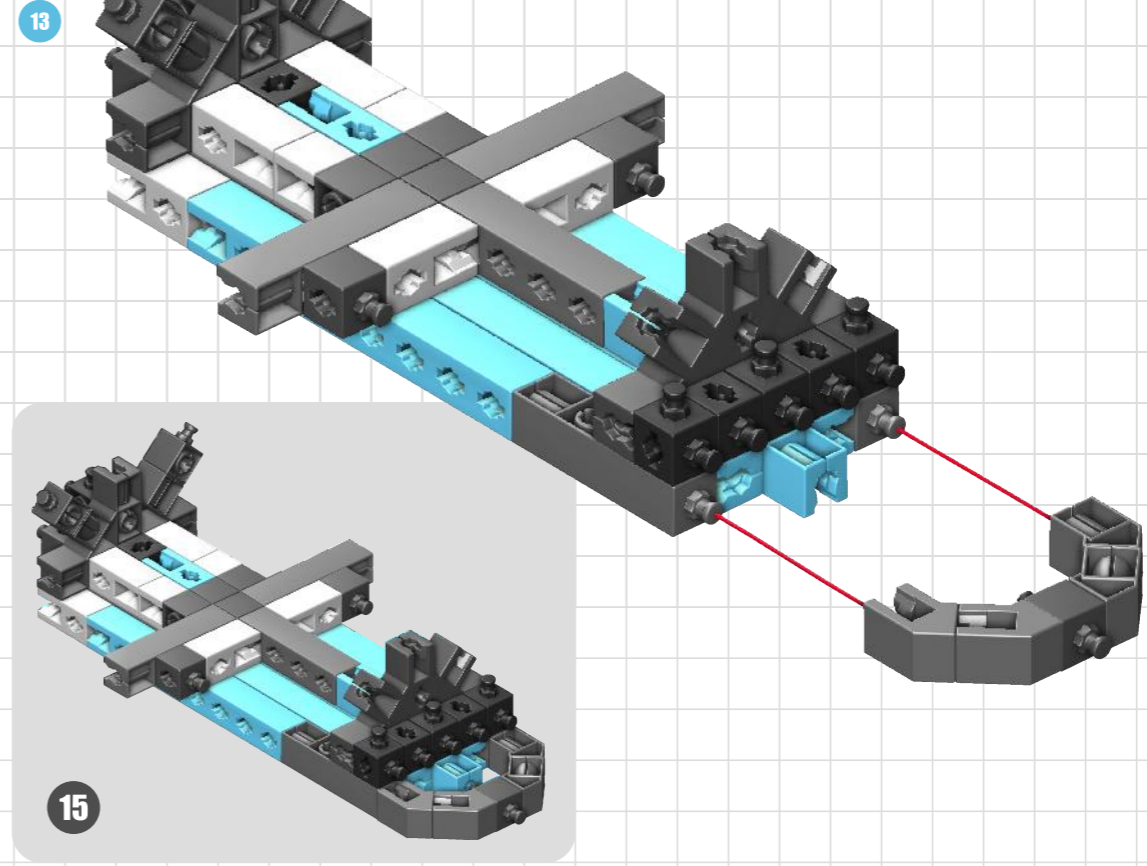
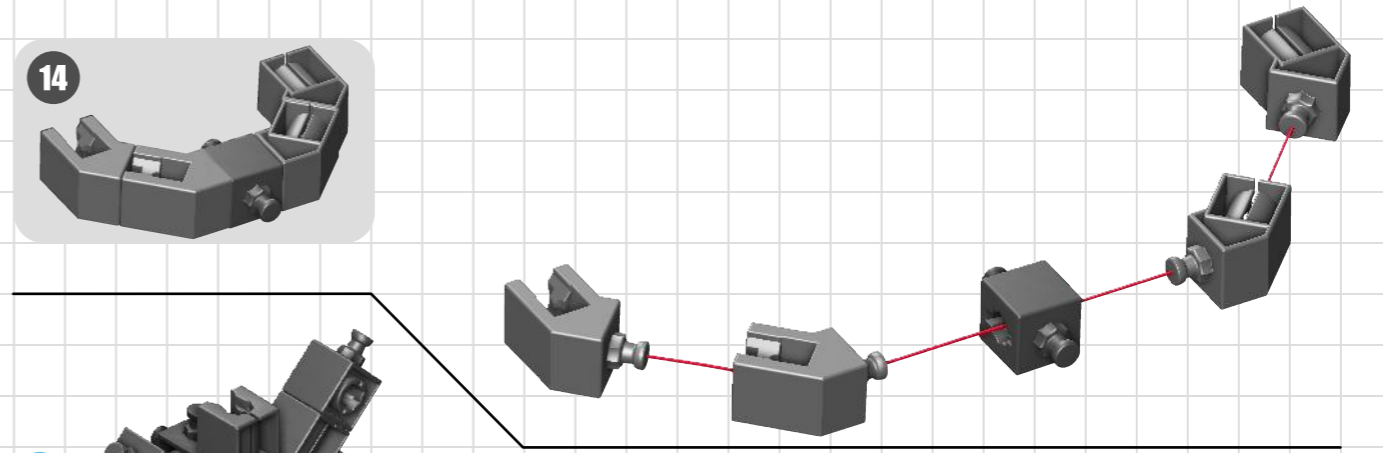
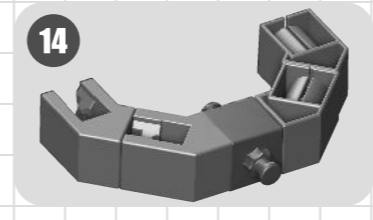
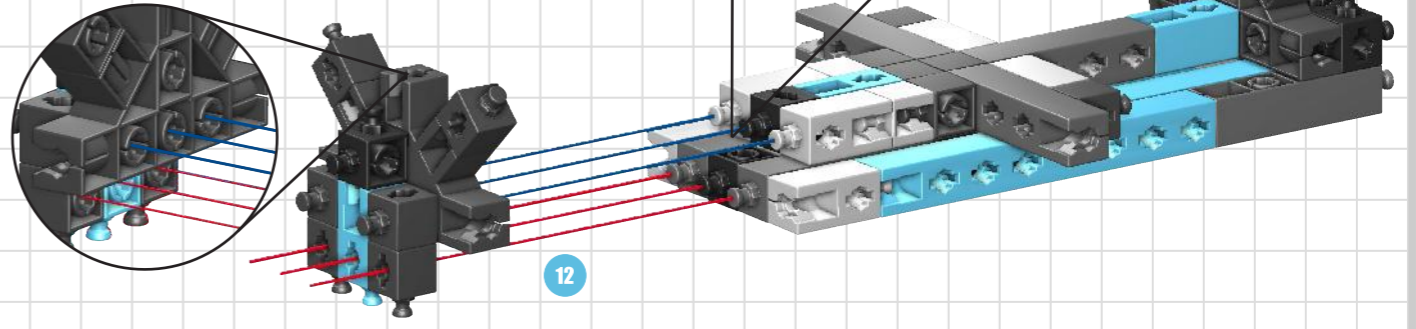
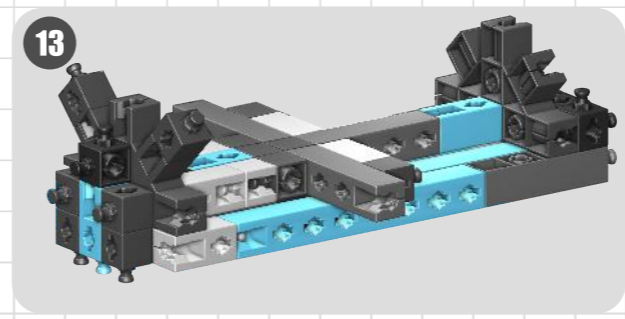
11



12

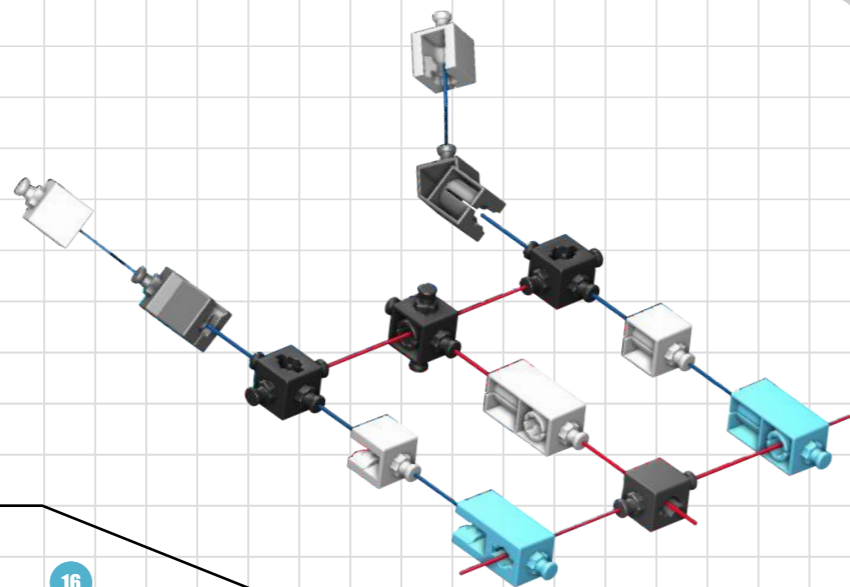
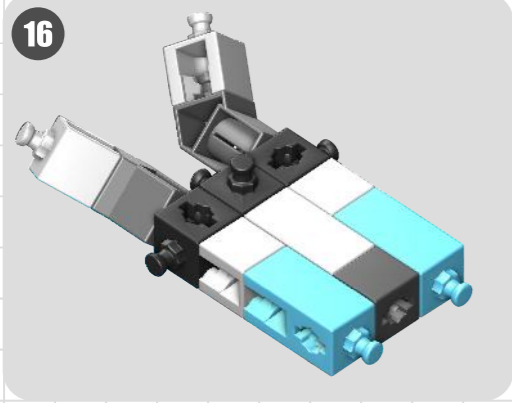


13

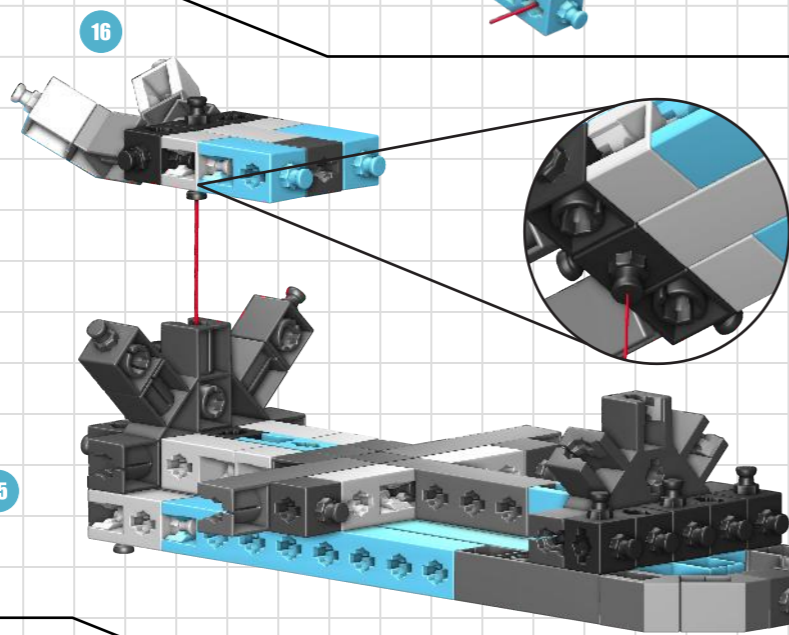
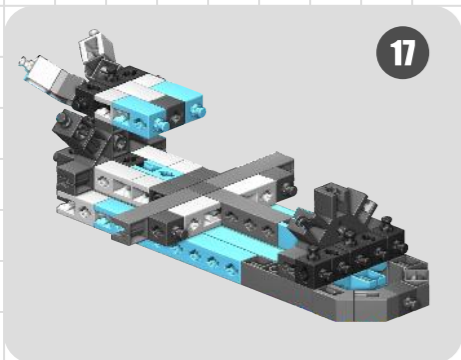


14

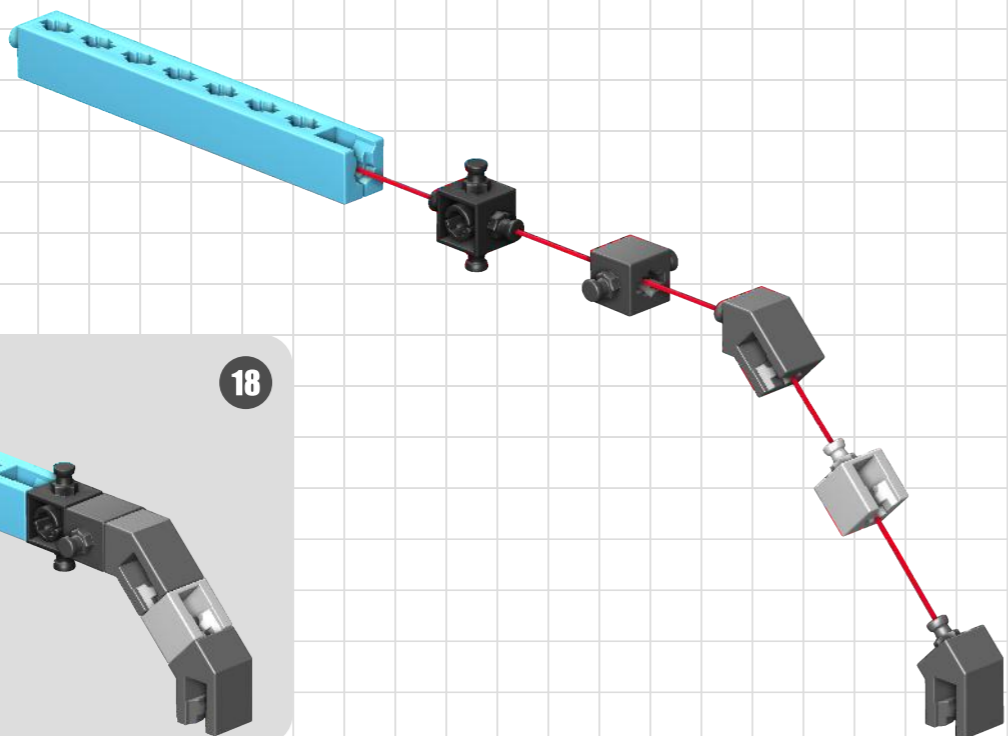
16



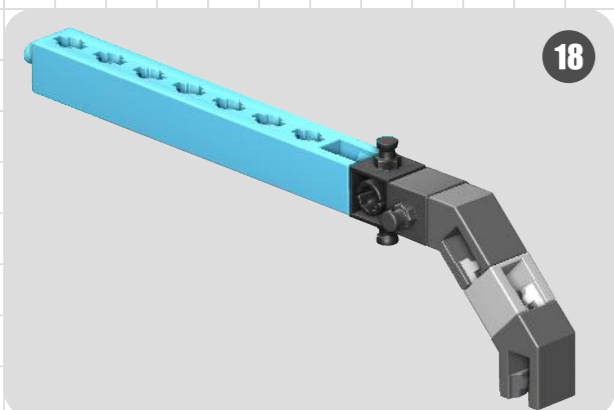
17



15

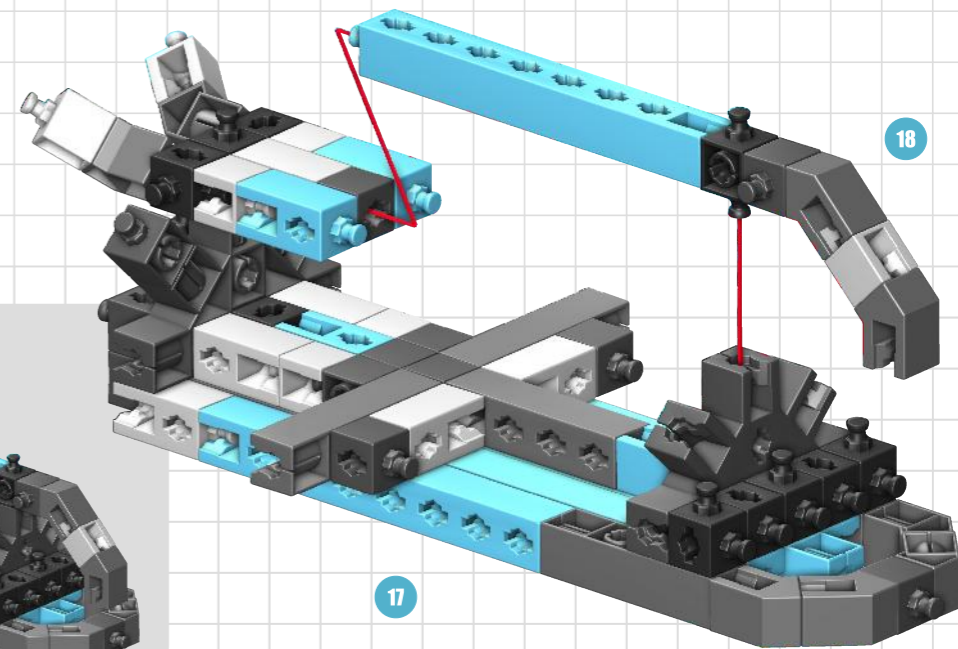


18

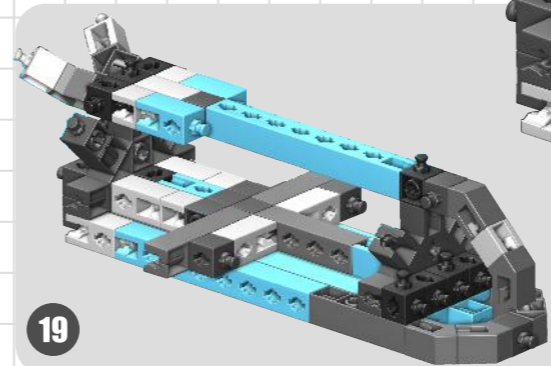


15

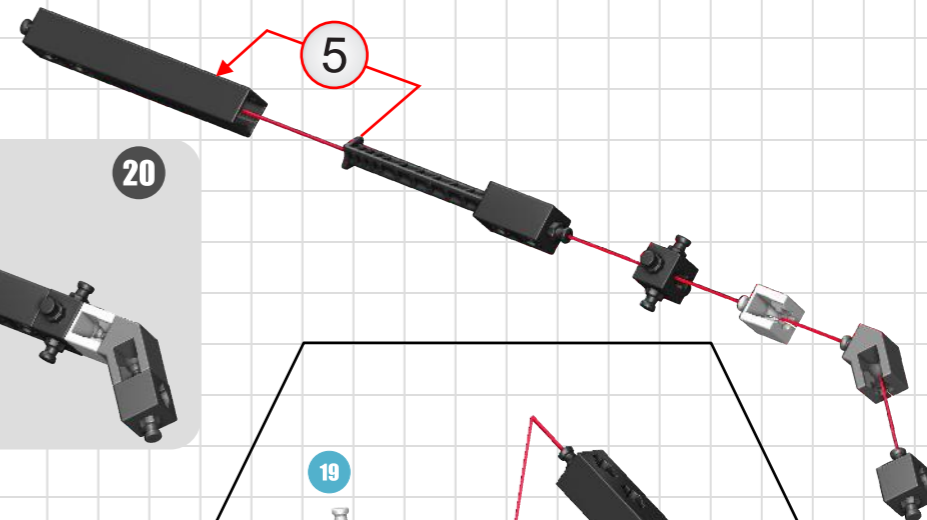
18



19



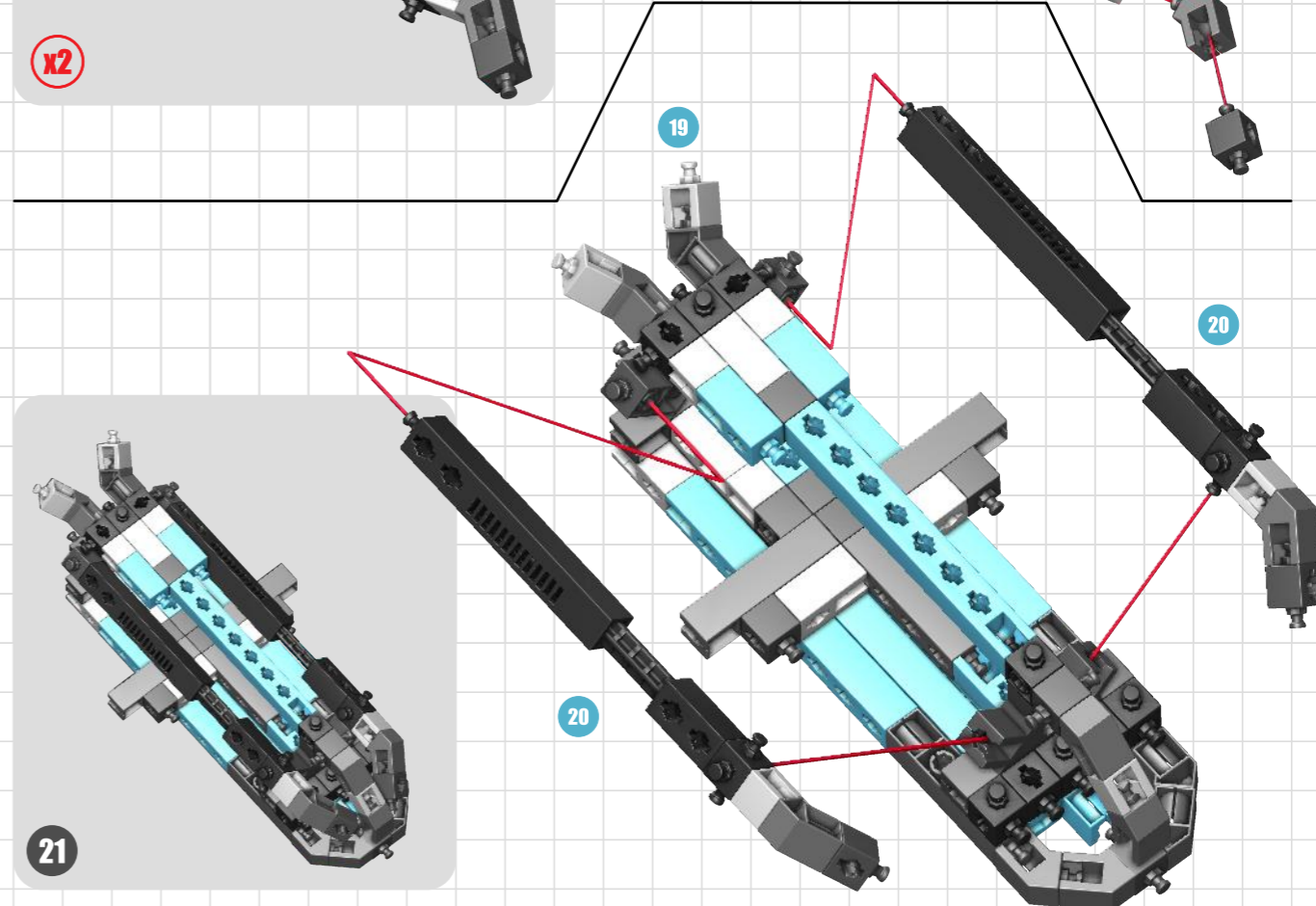
17



20

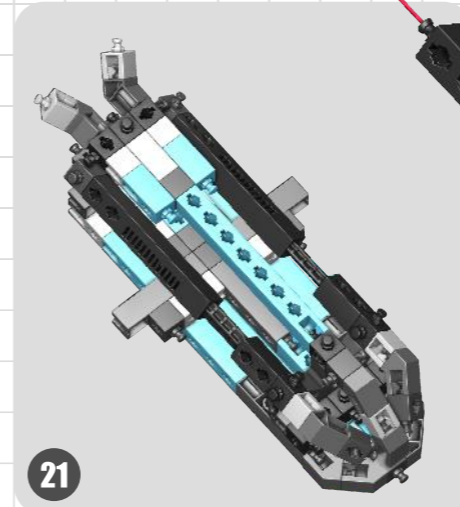


19



20

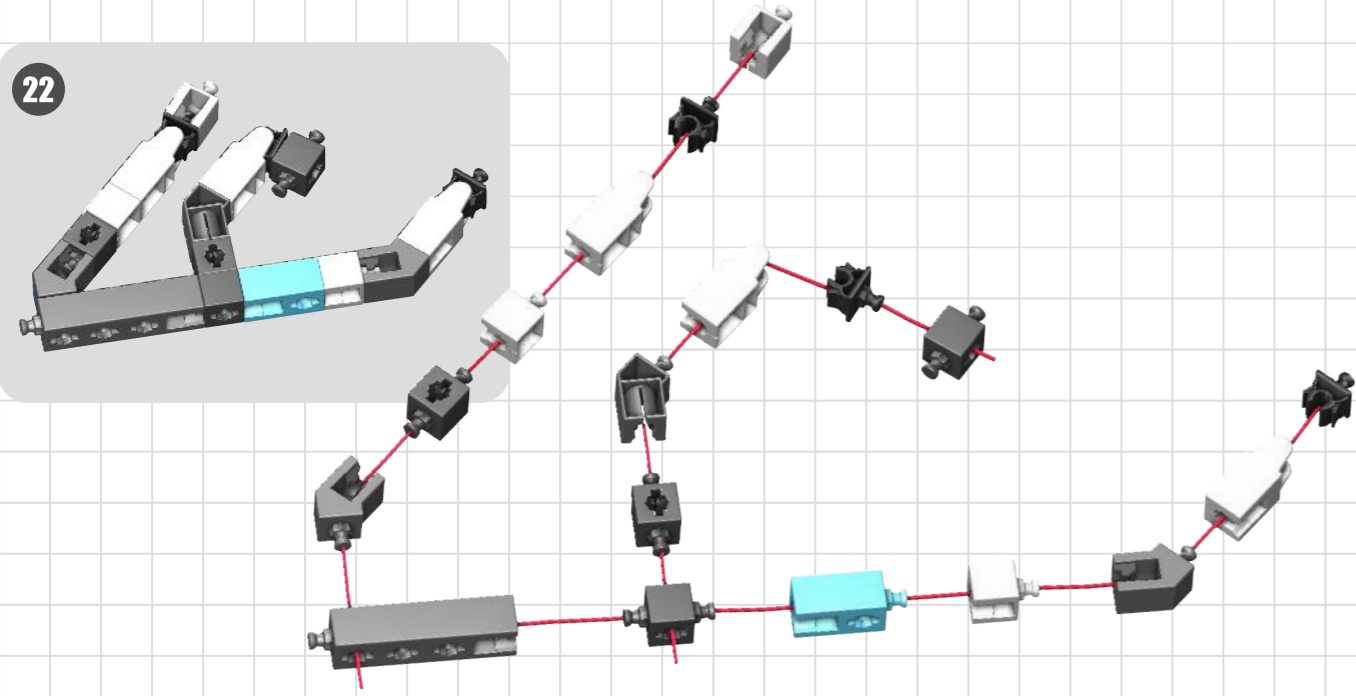
21



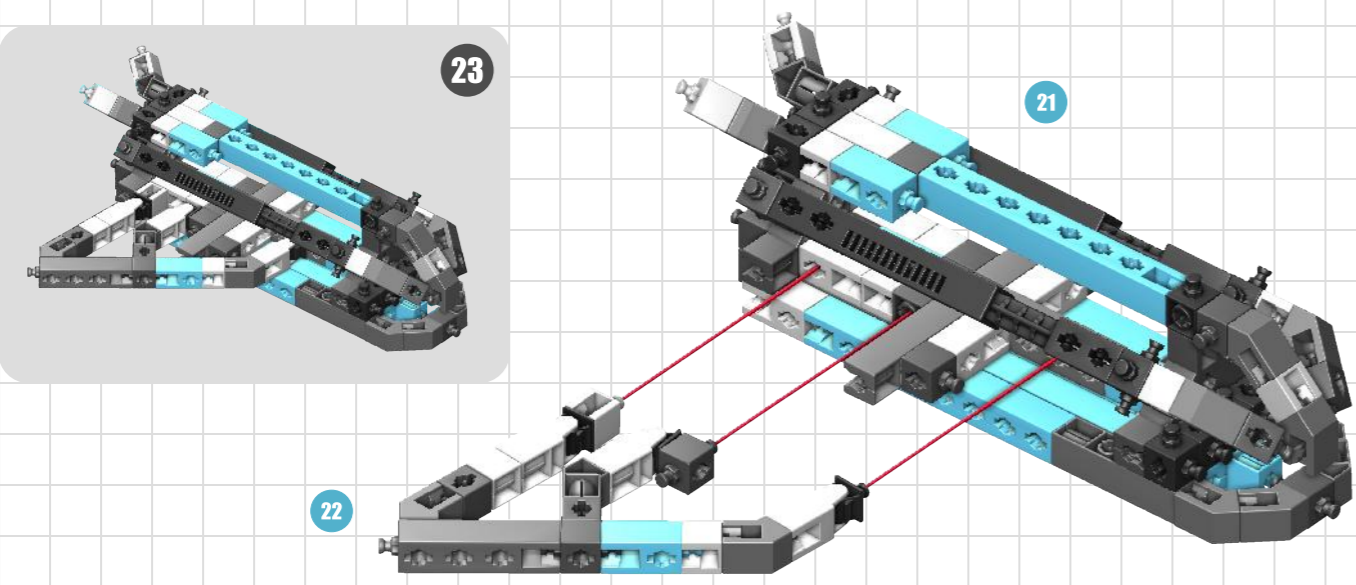
20

16

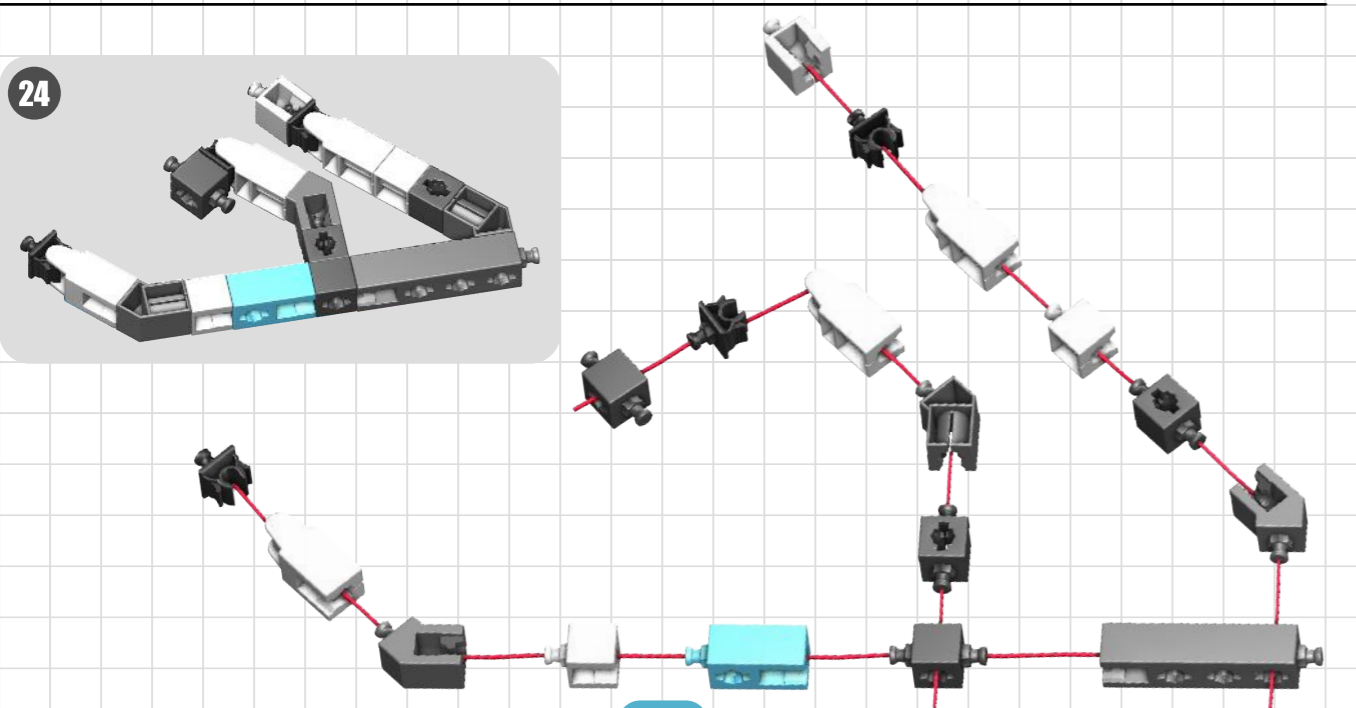
22



23

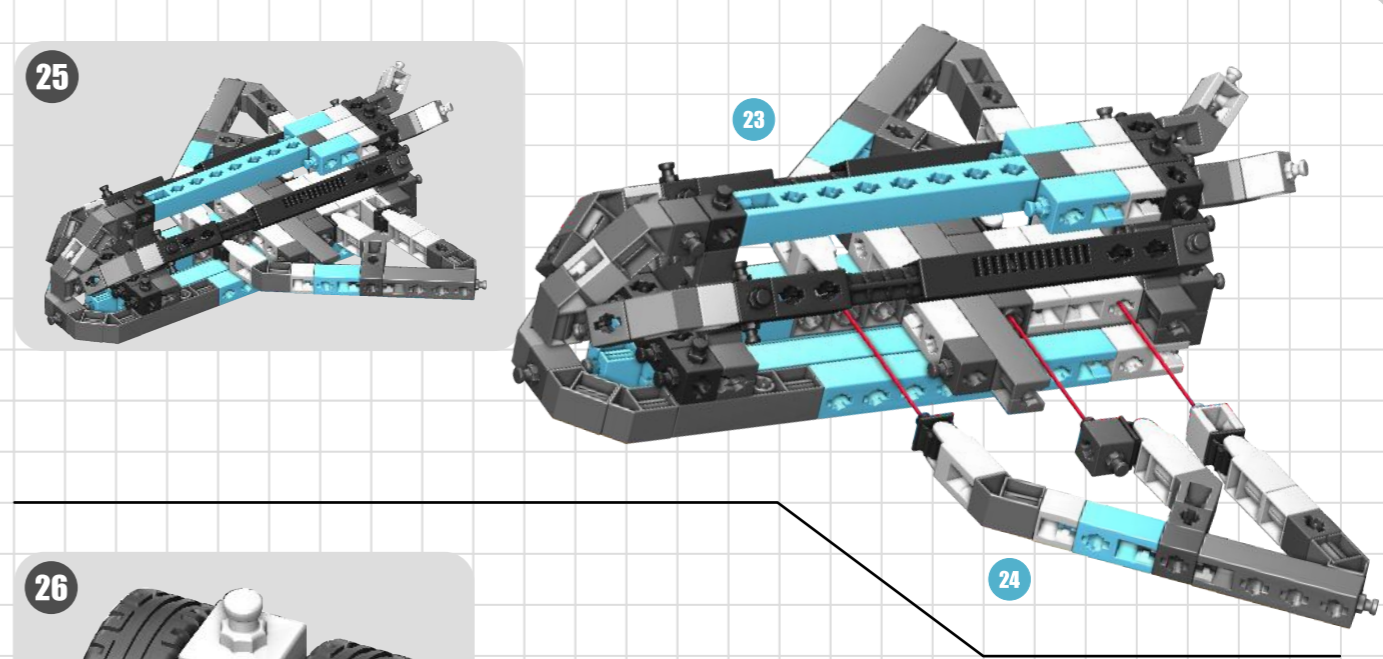


24

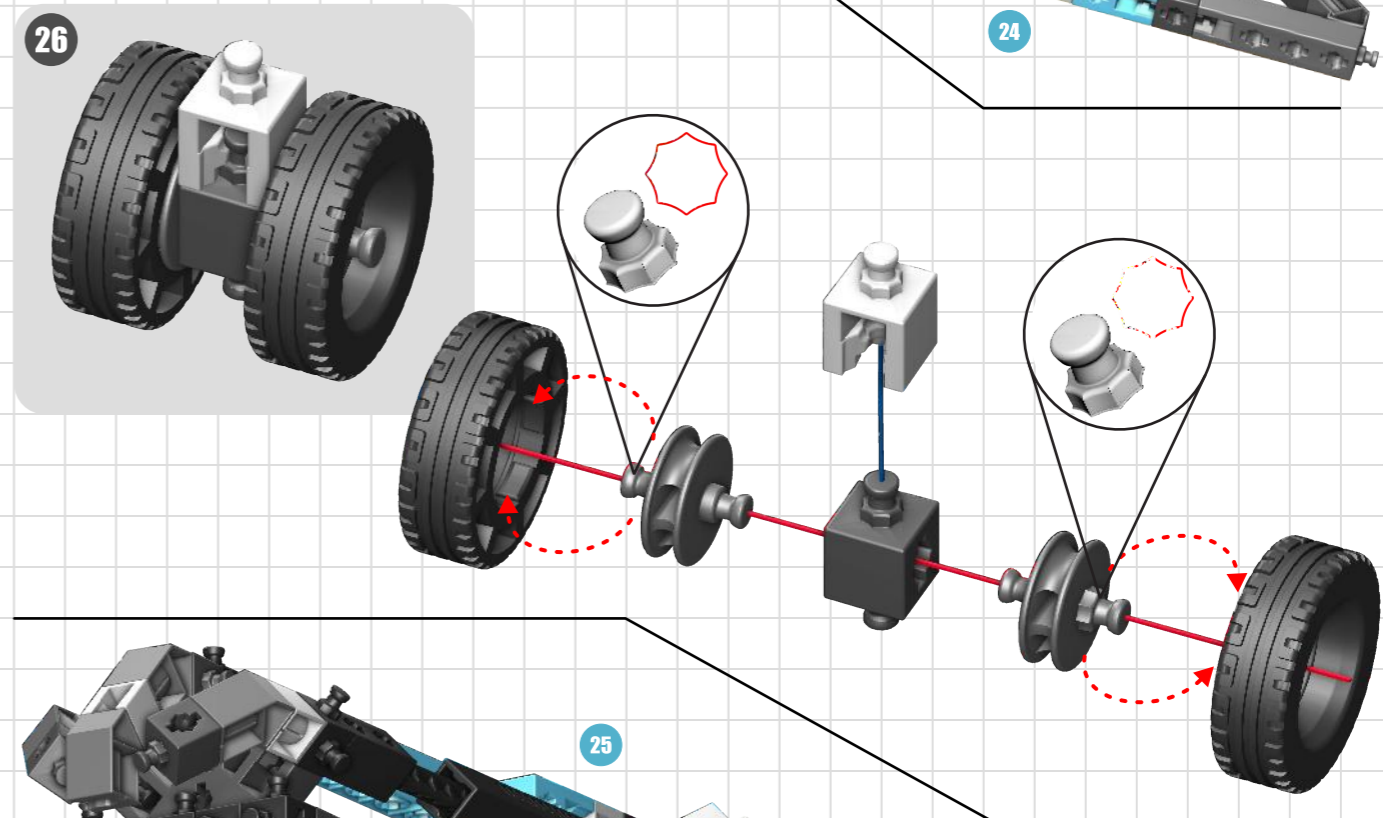


17

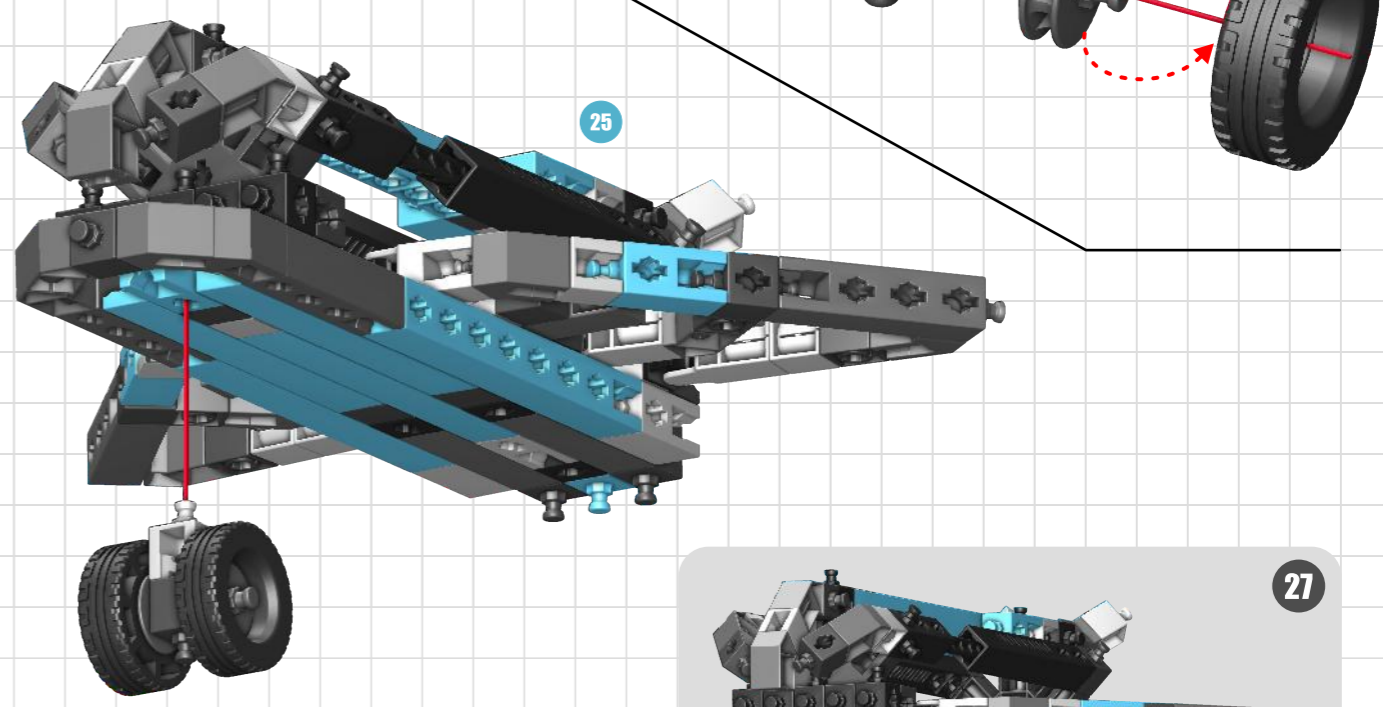
25



26



25

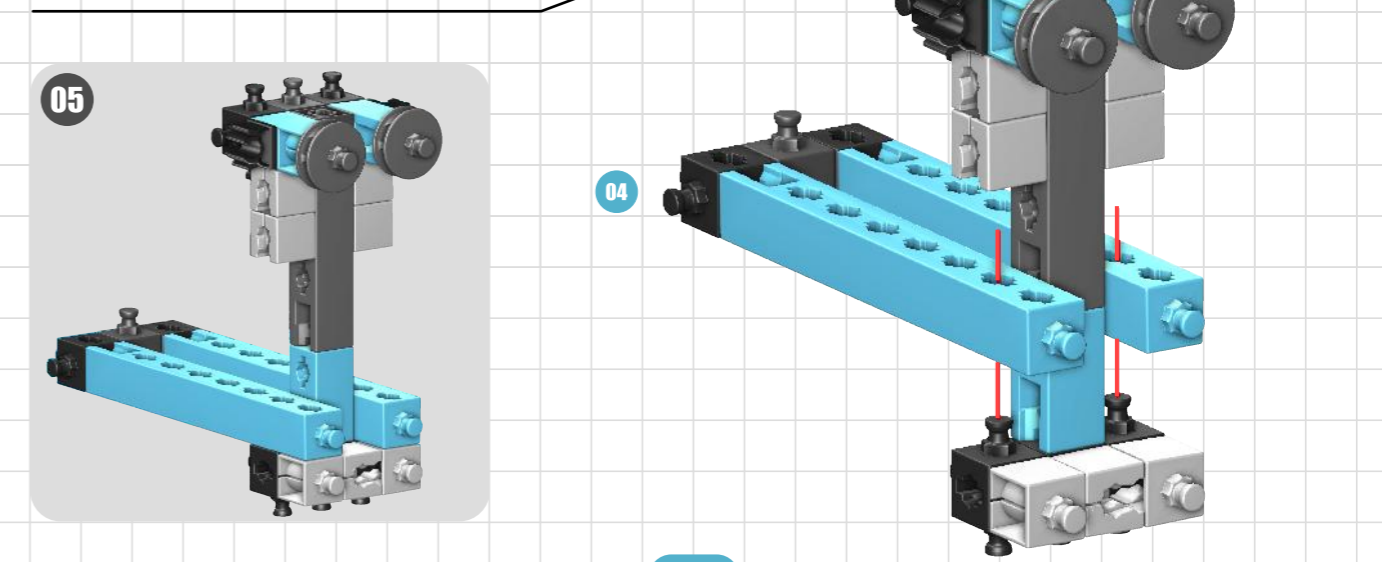
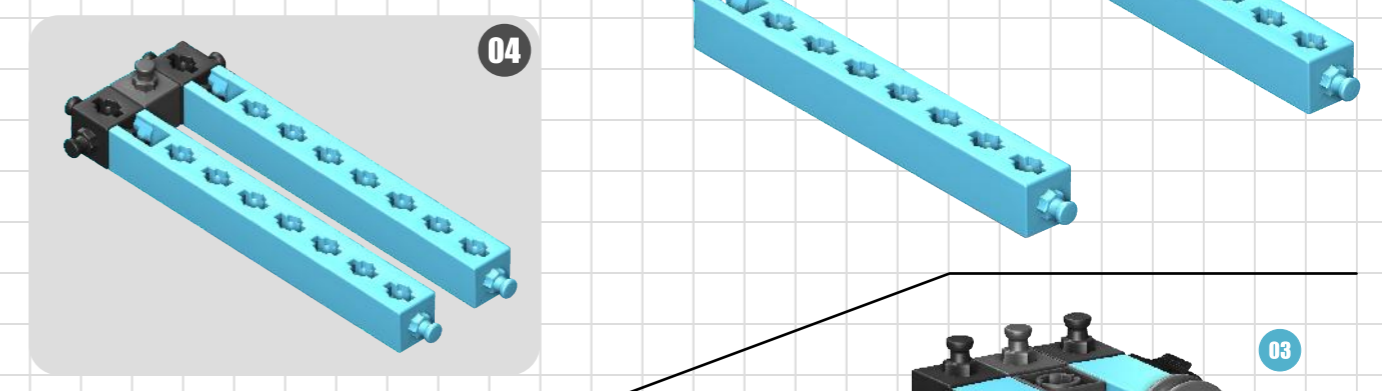
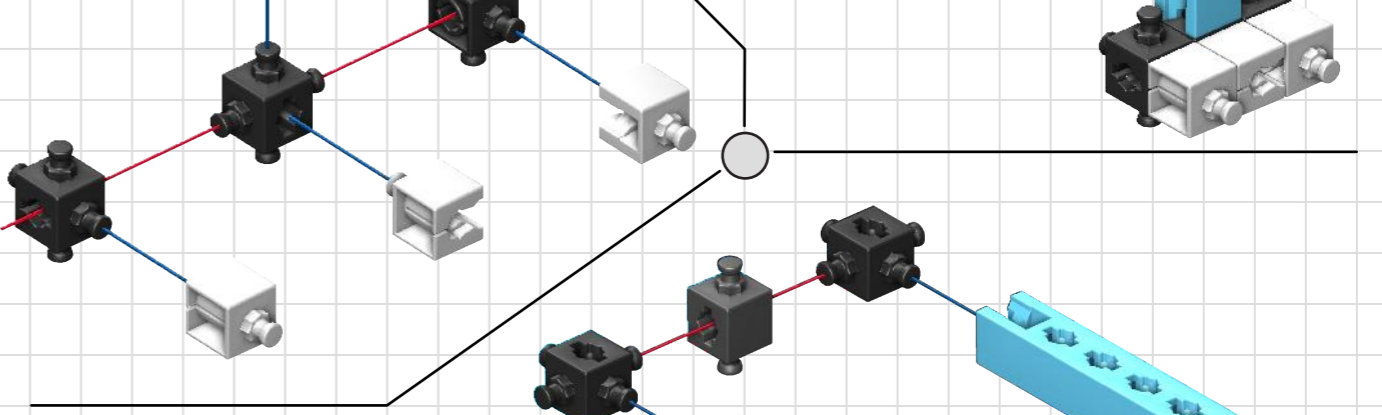
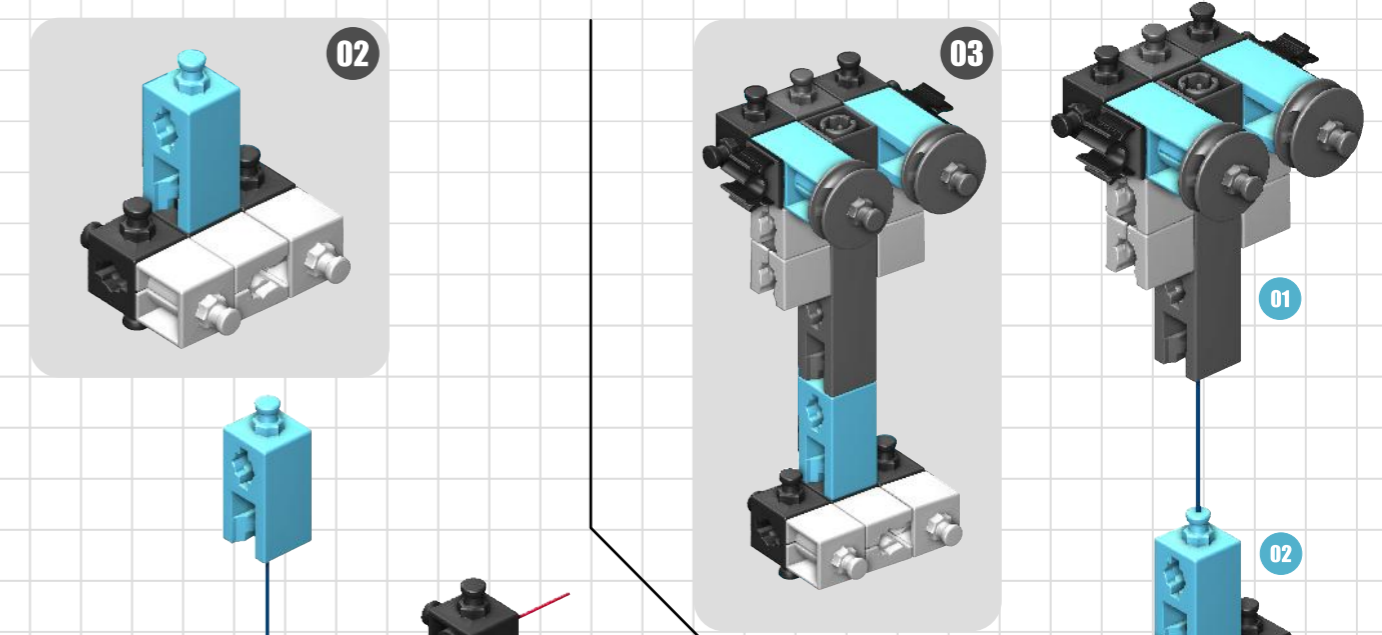
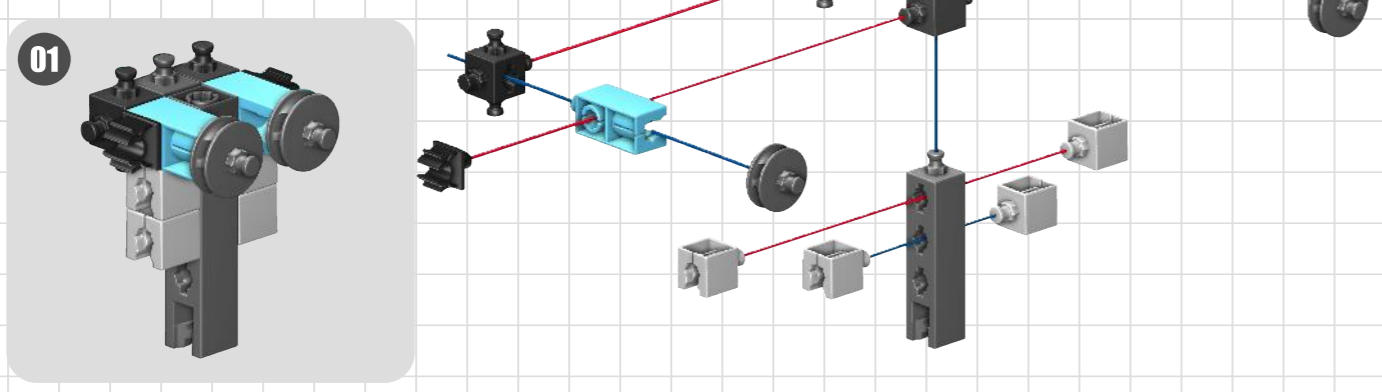
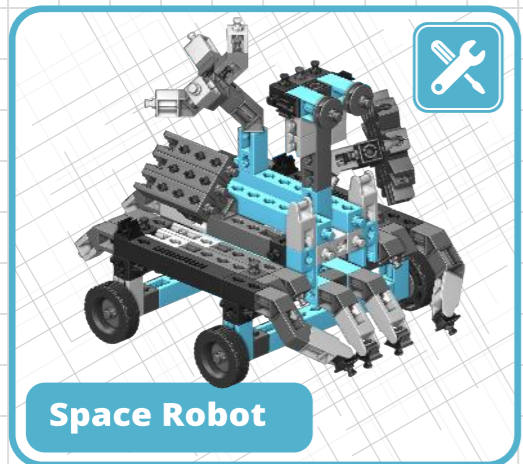
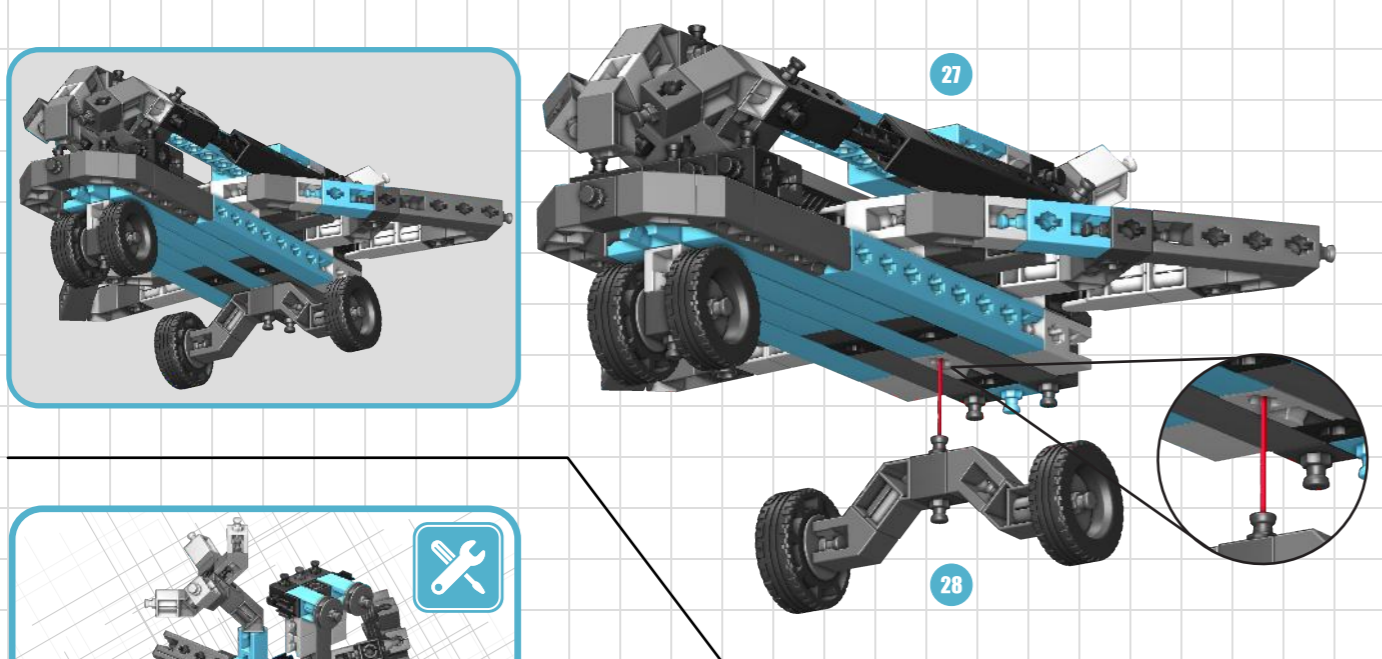
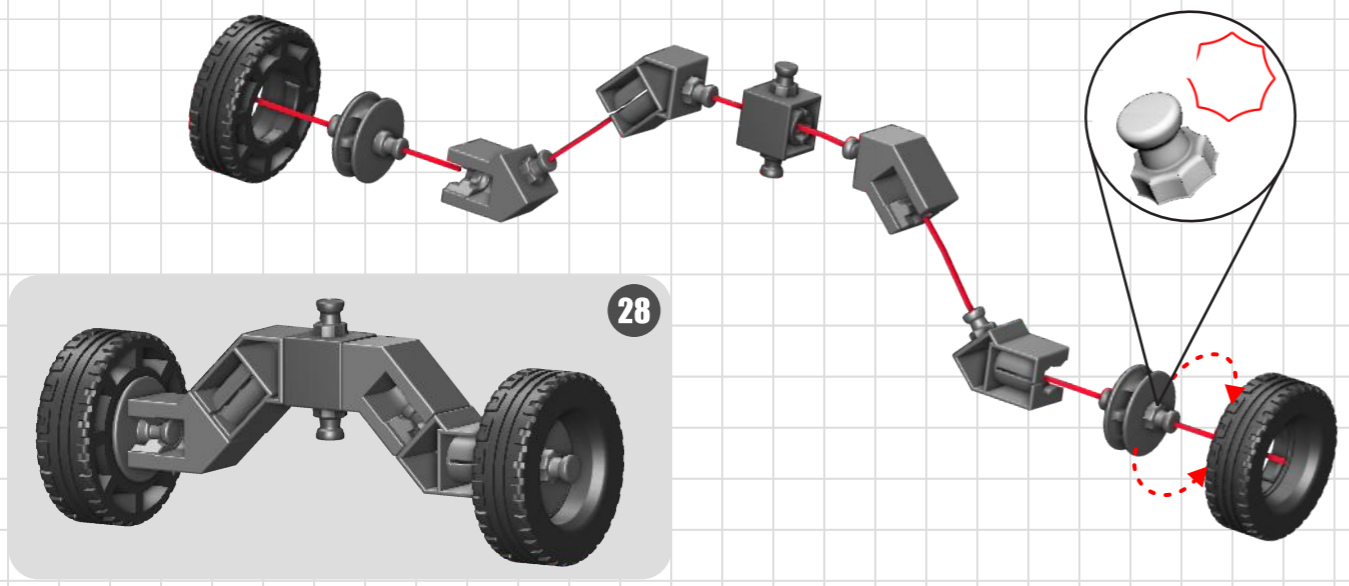


26

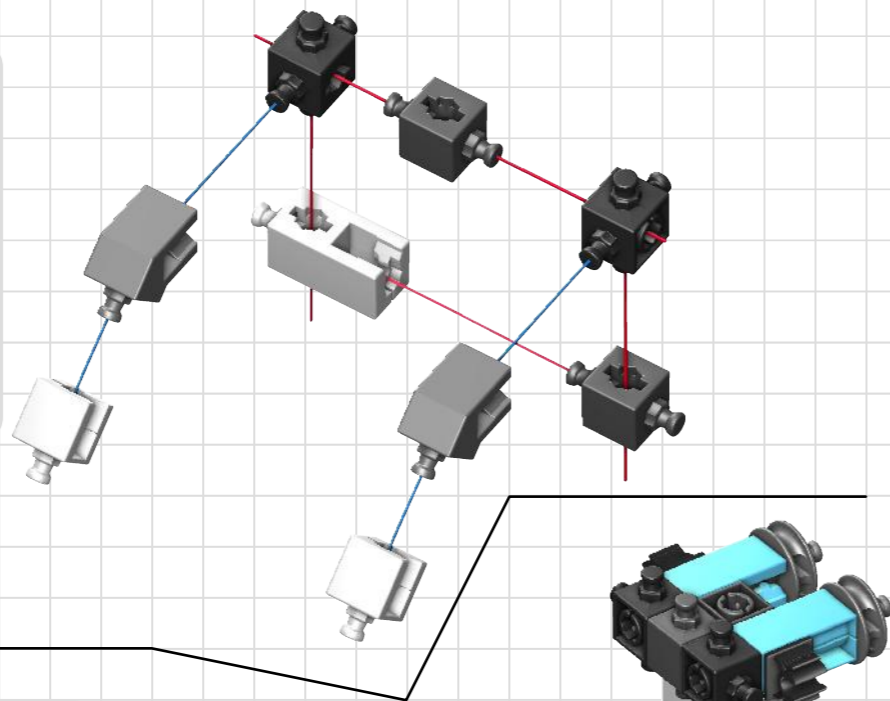
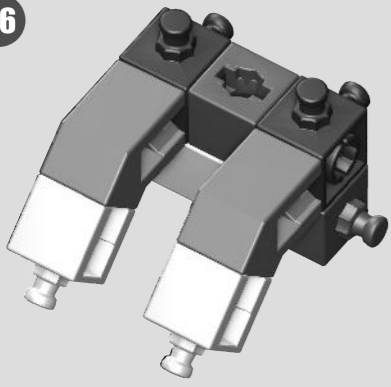
27



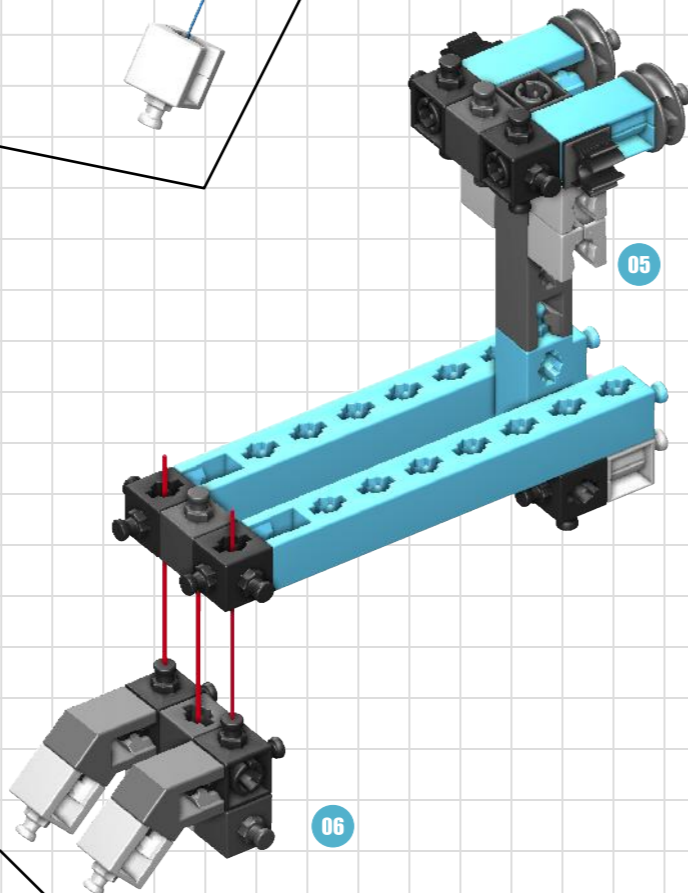
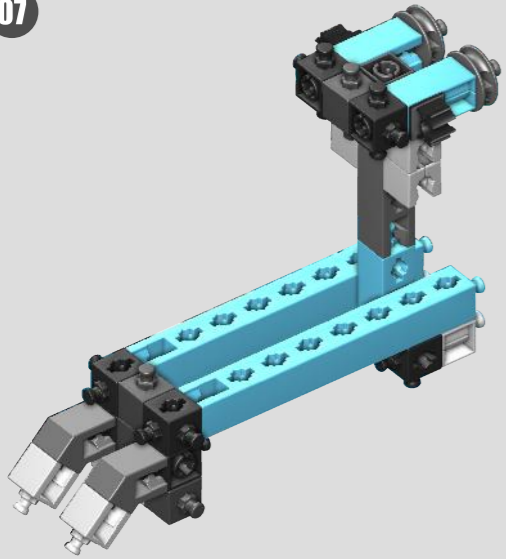
18



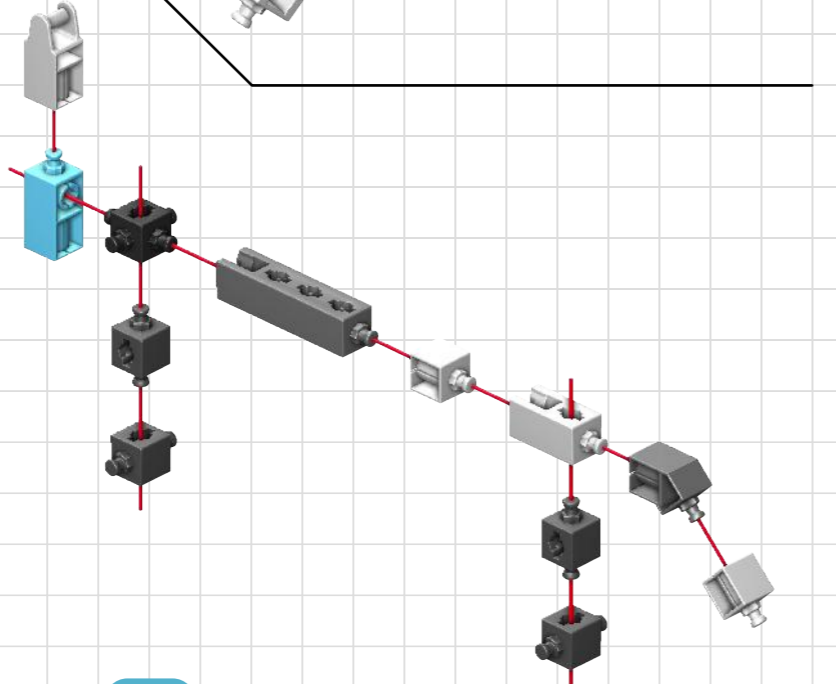
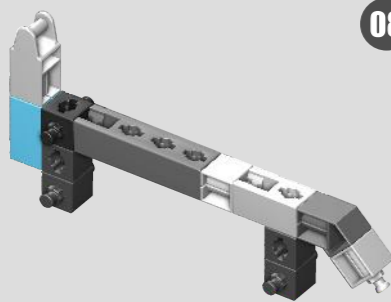
06



07

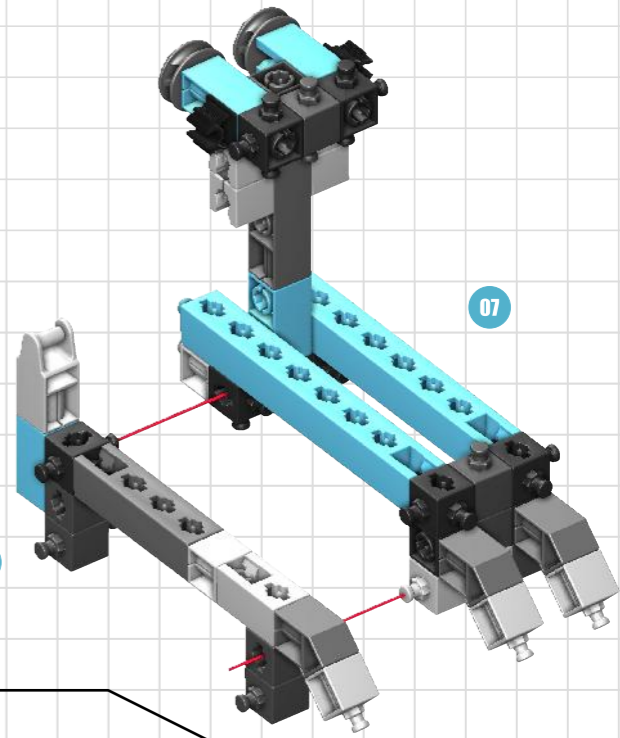
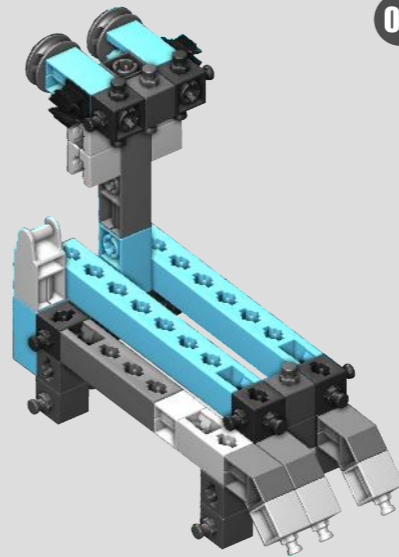


08

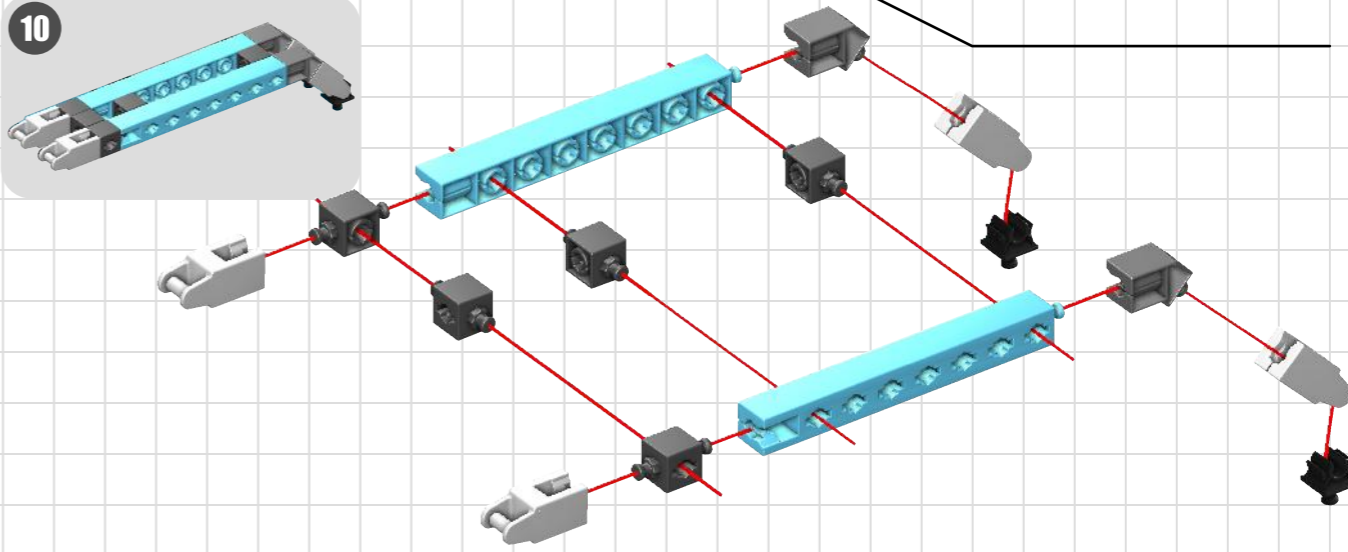
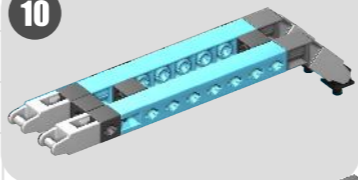


21

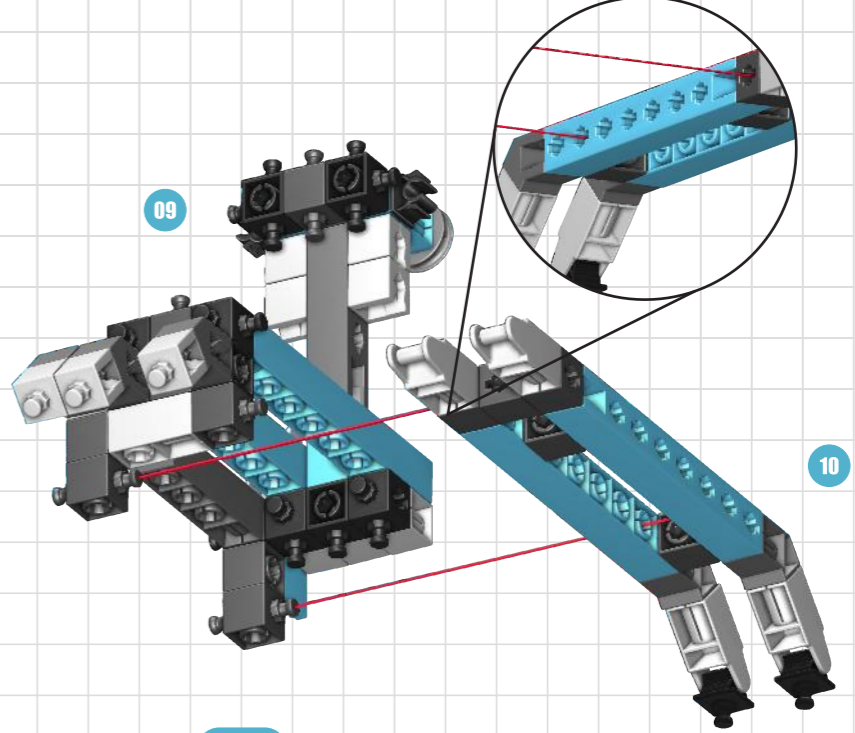
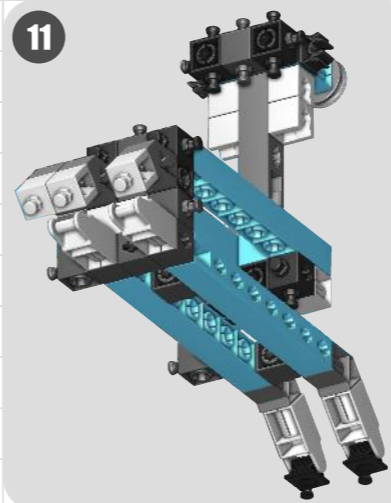
09



10

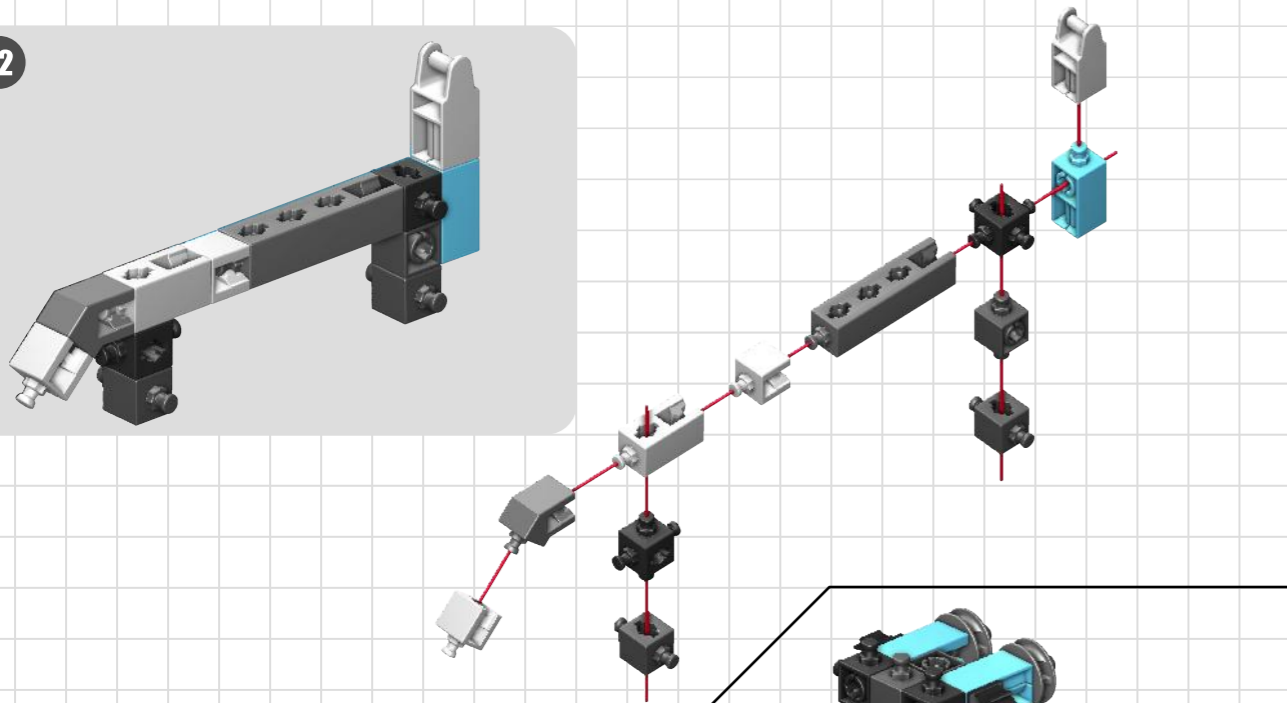


11

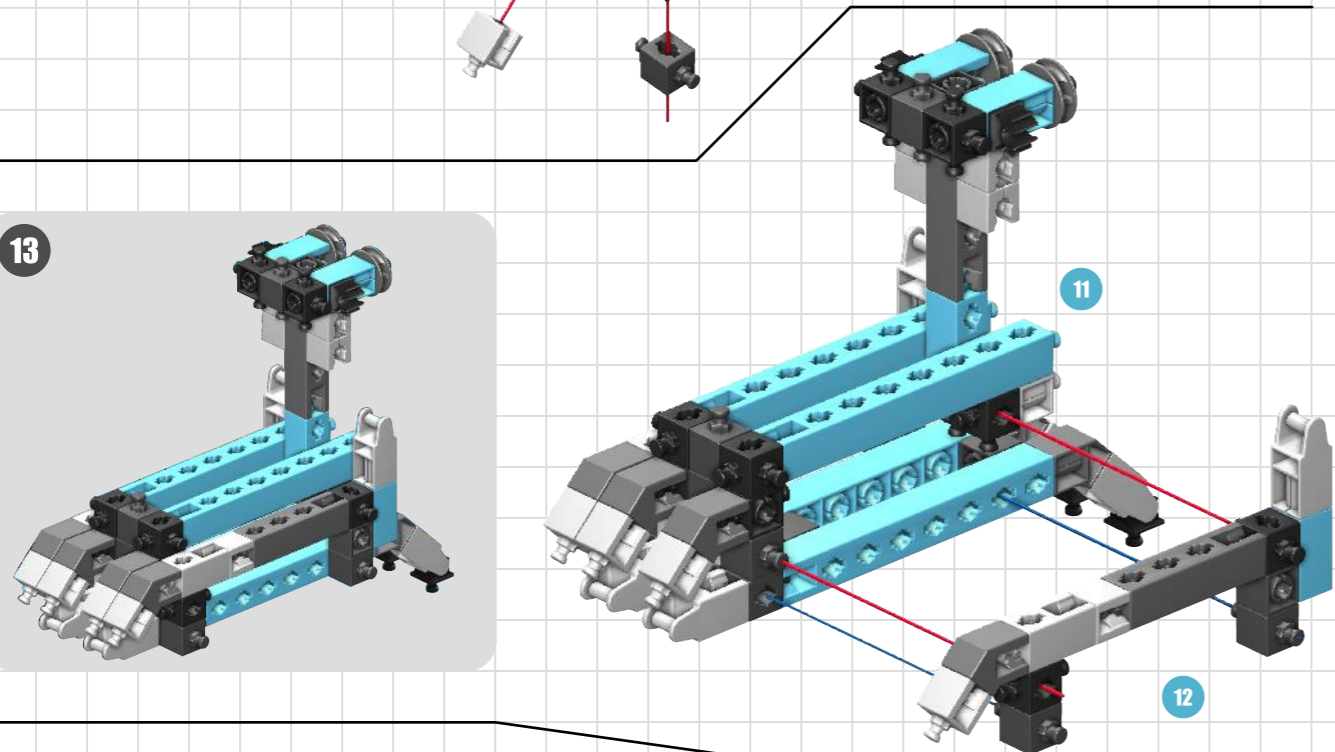


22

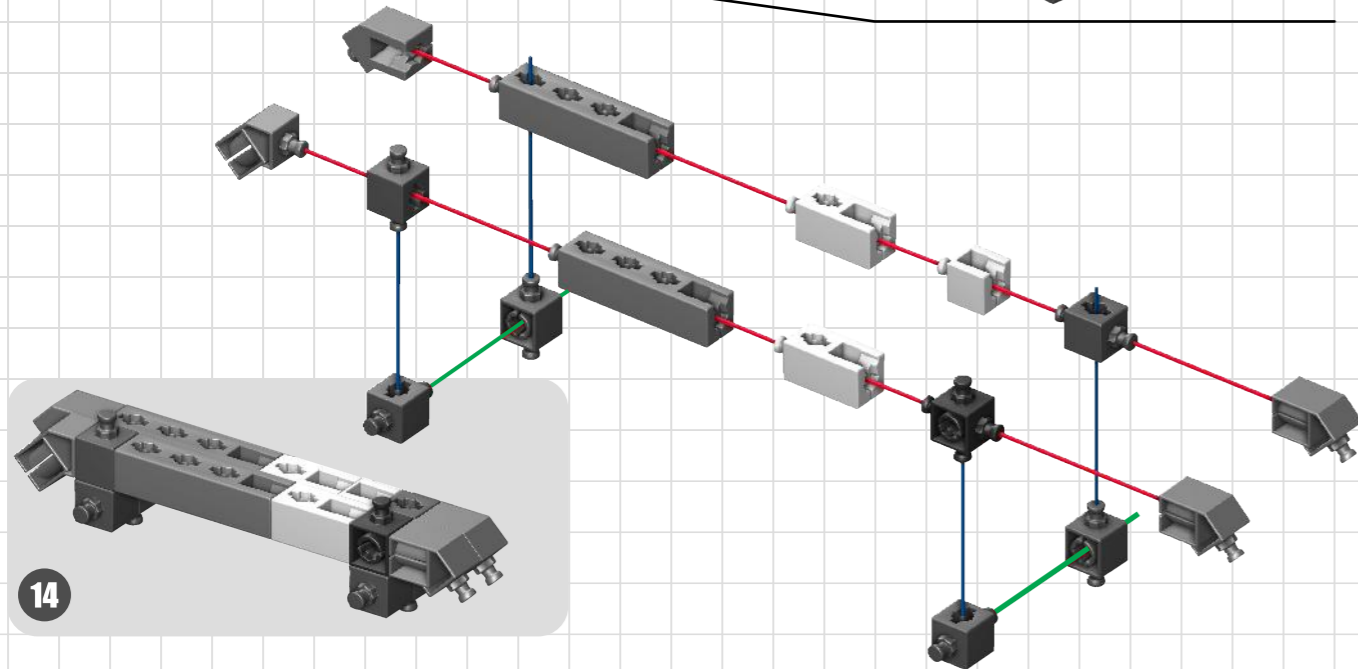
12



13

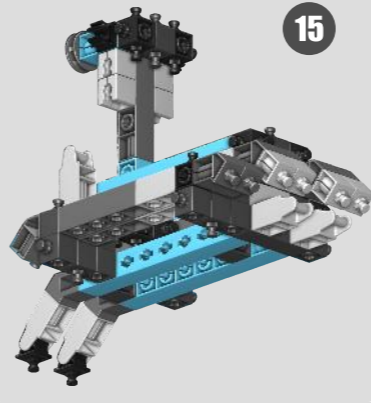


14



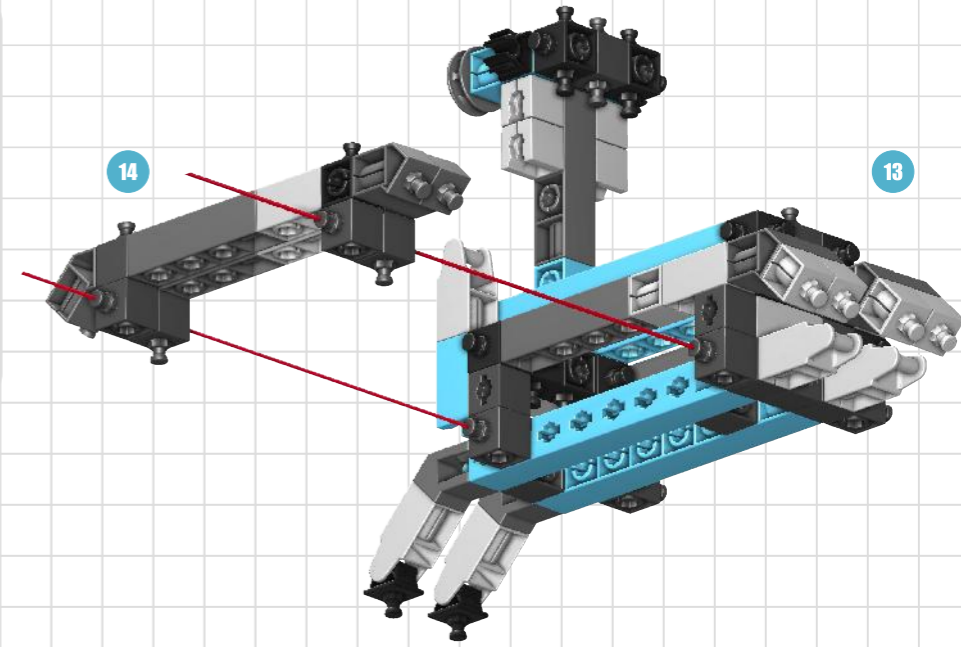
23

15

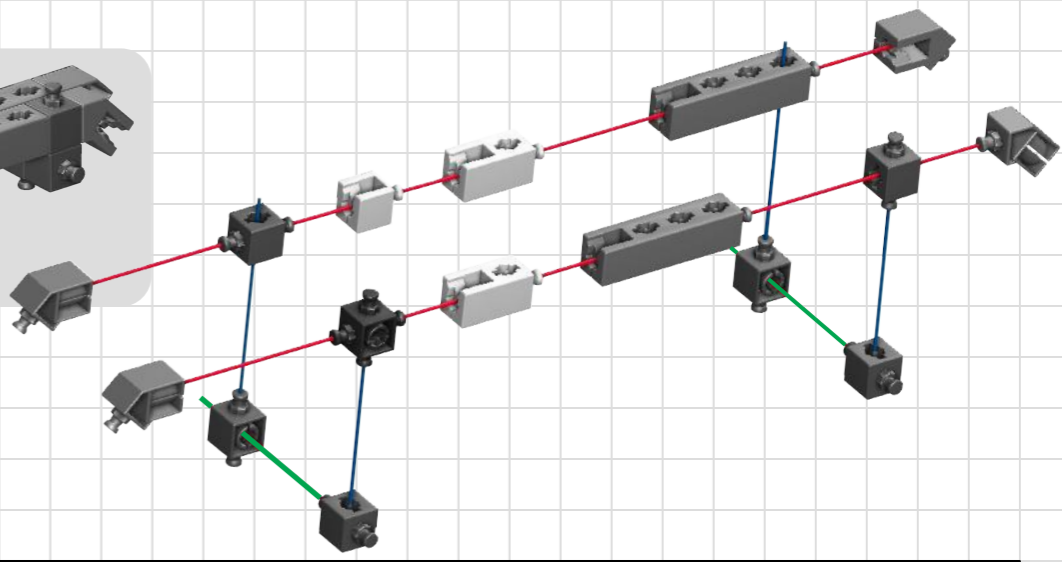
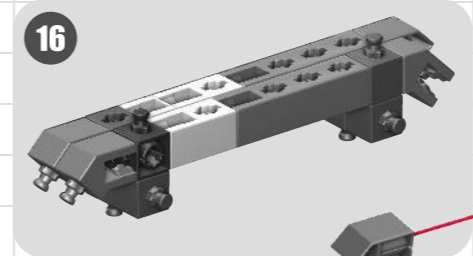


14

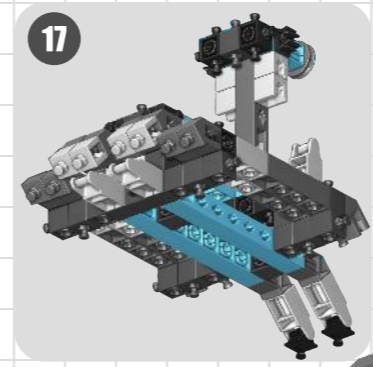
13



16

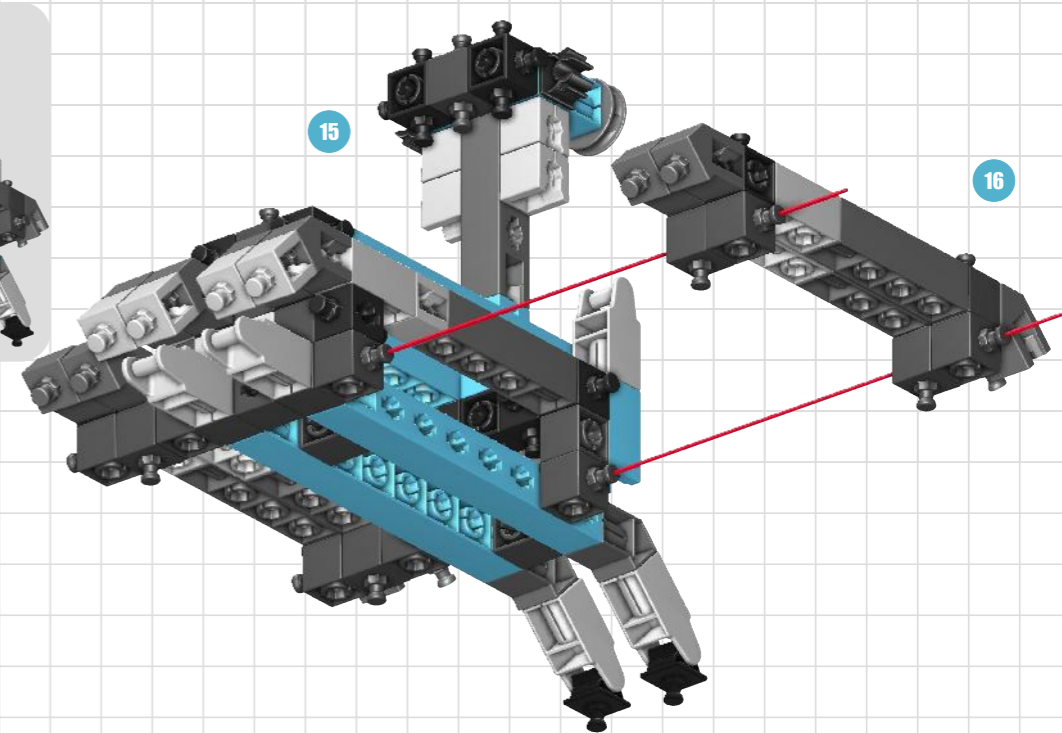


17

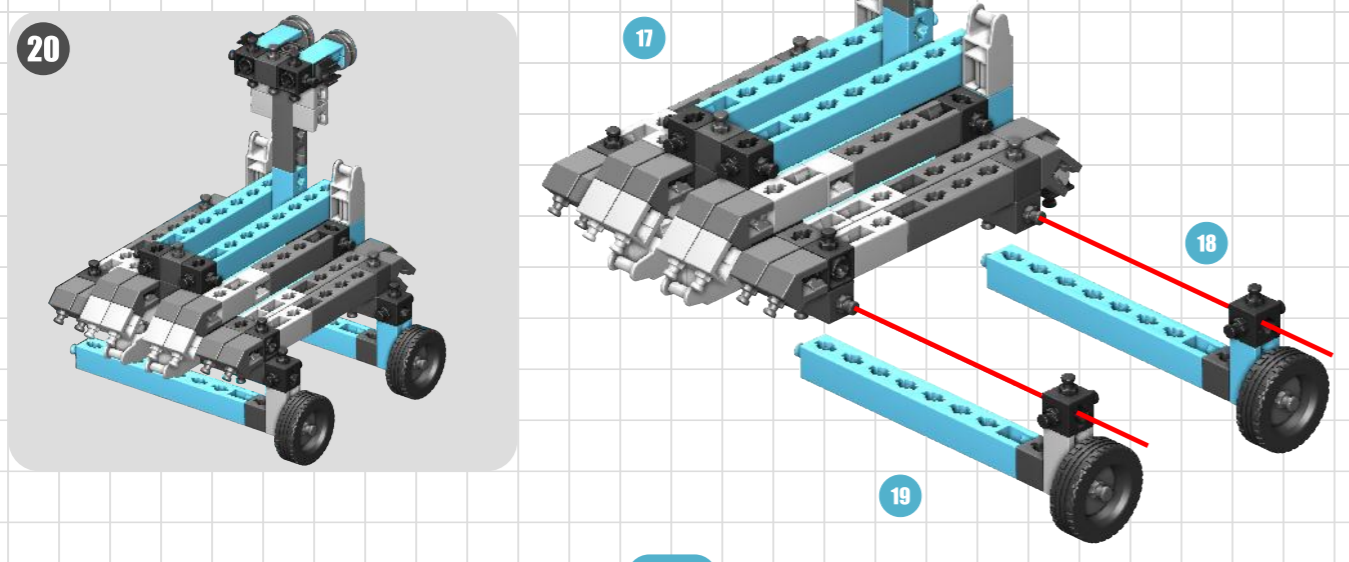
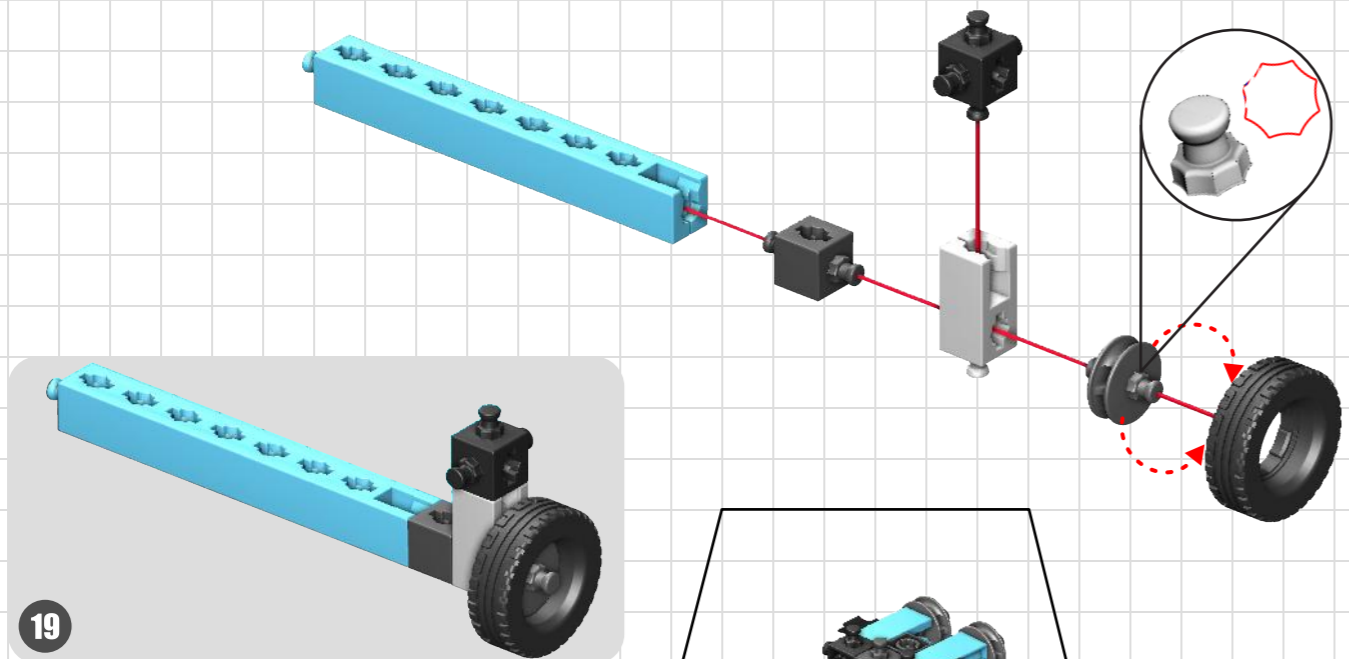
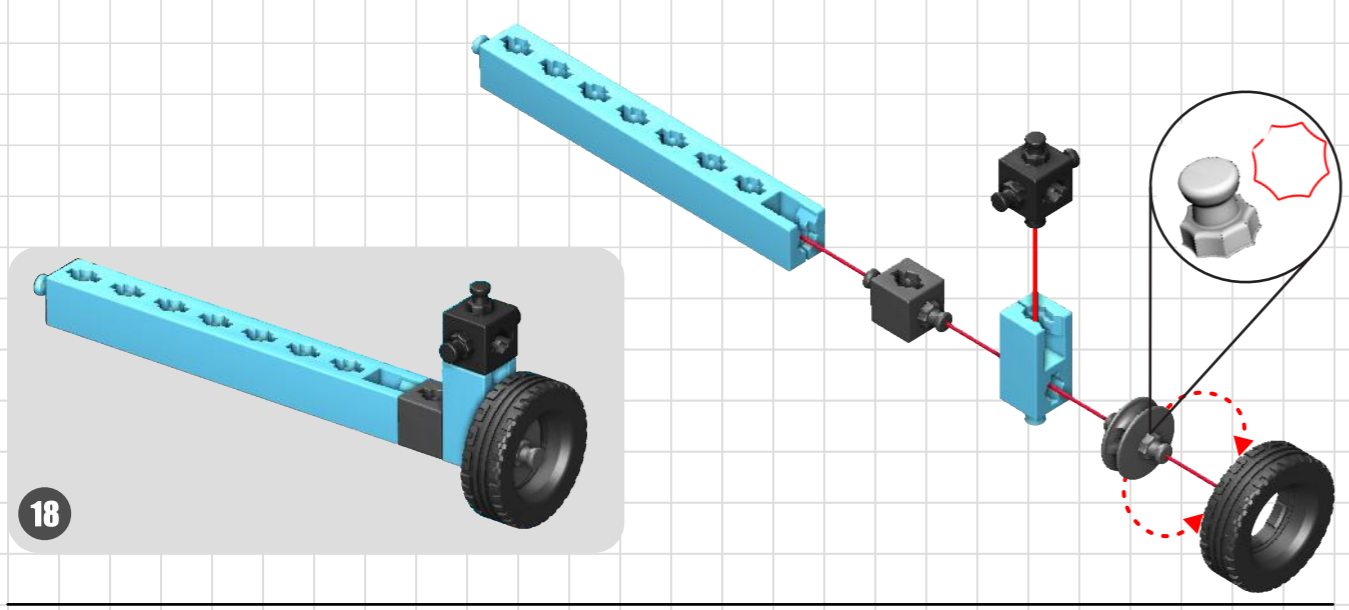


15

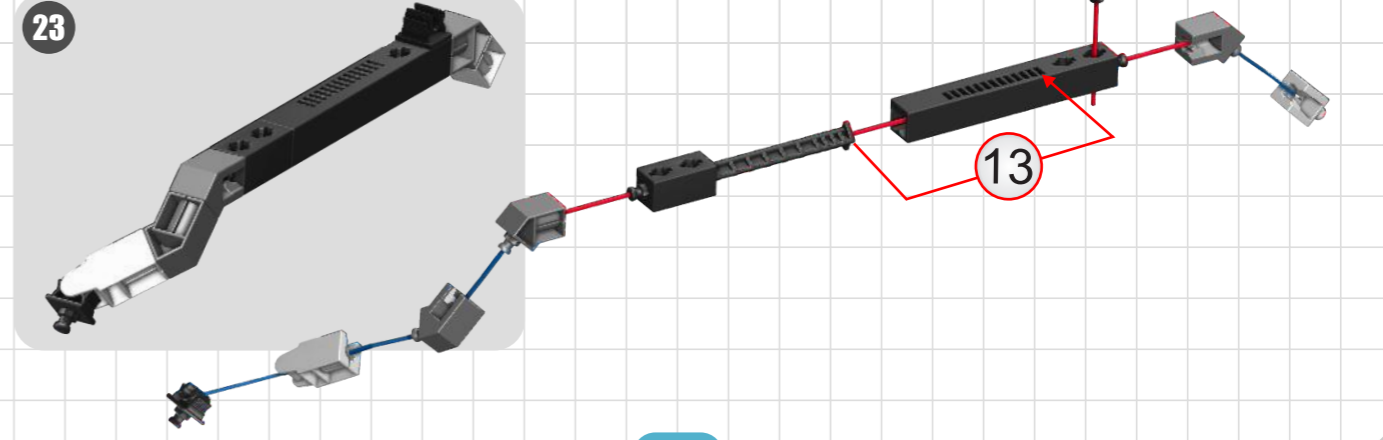
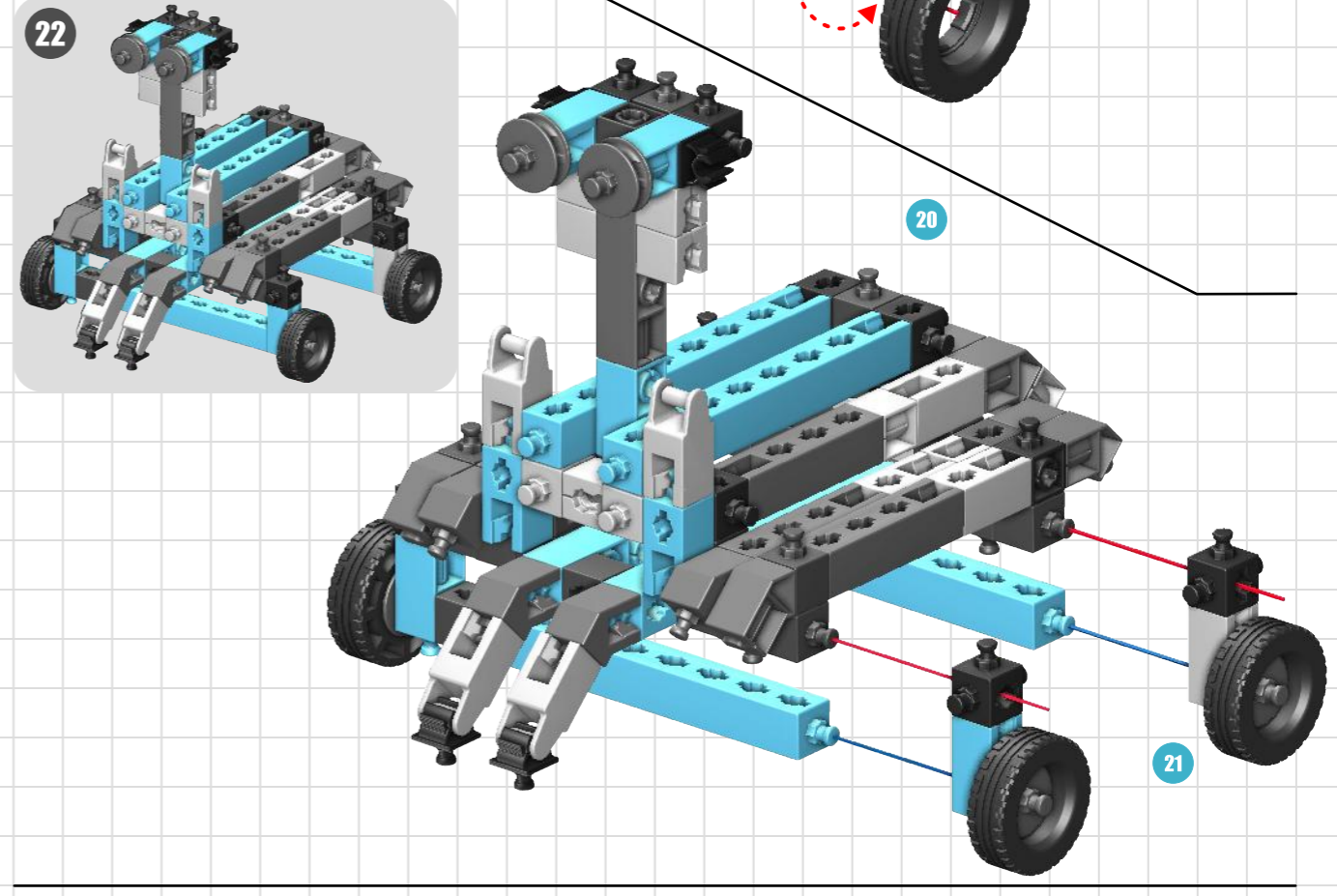
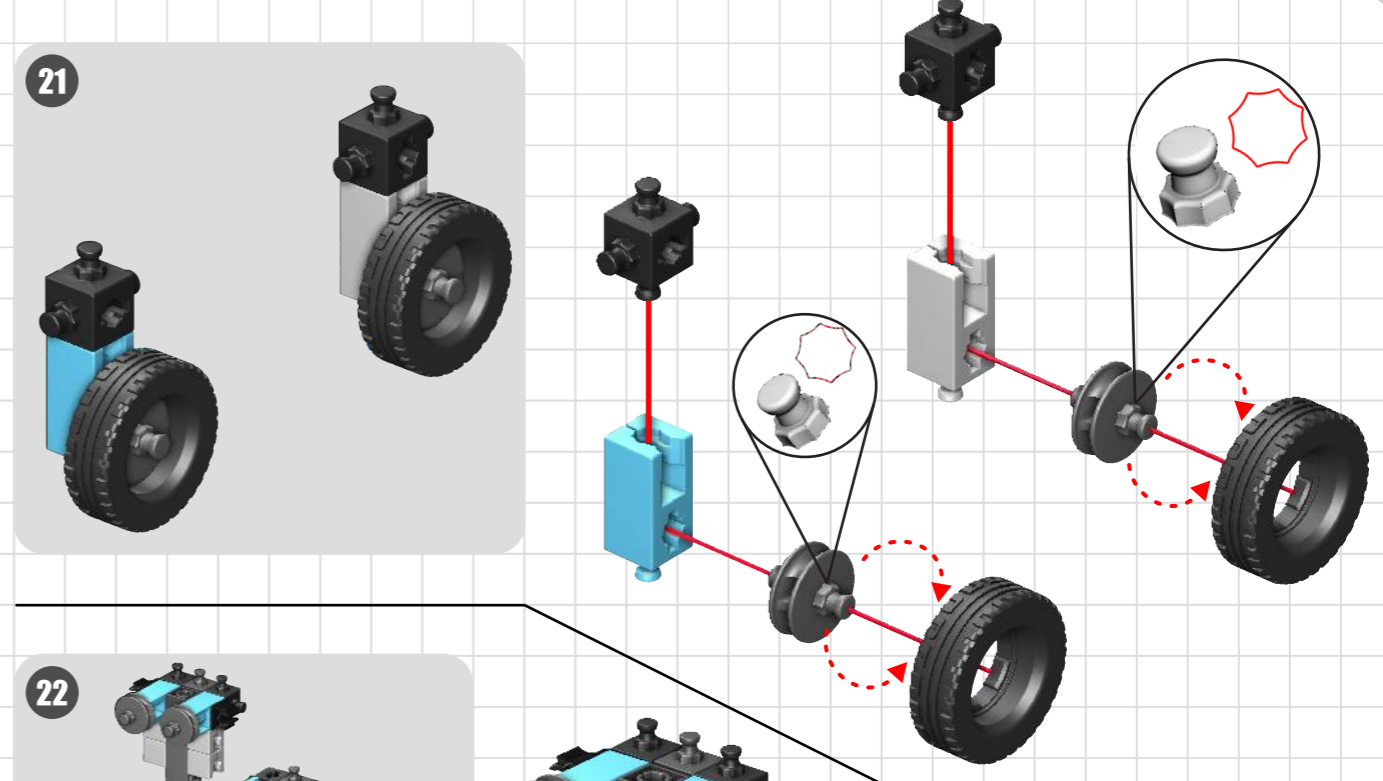
16



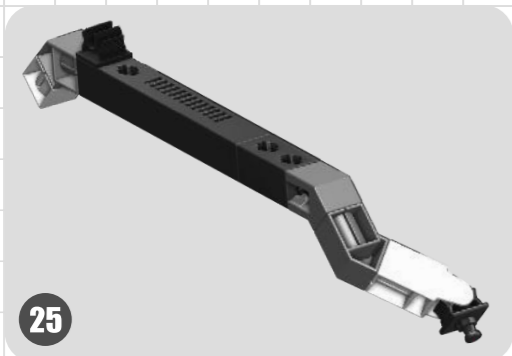
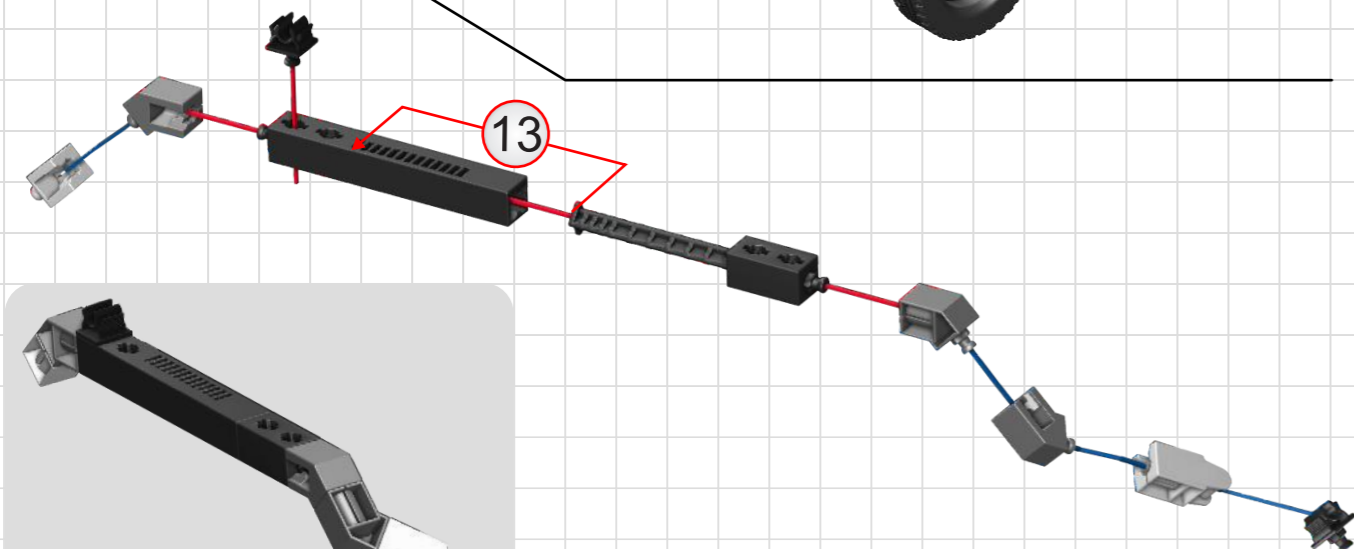
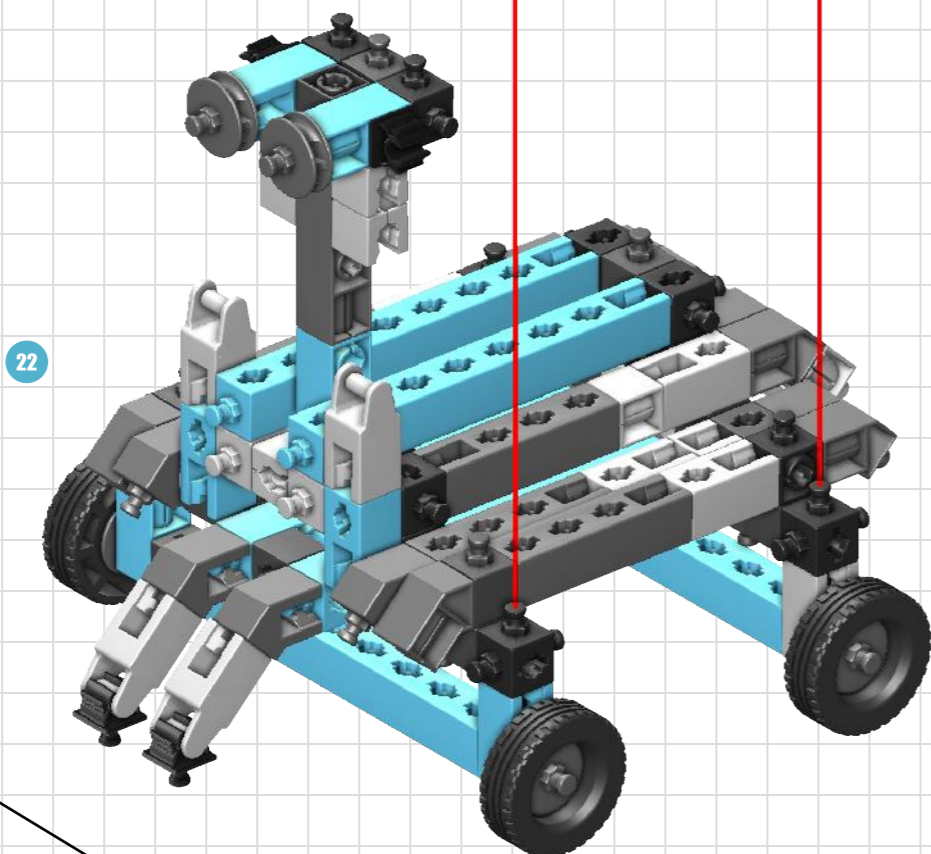
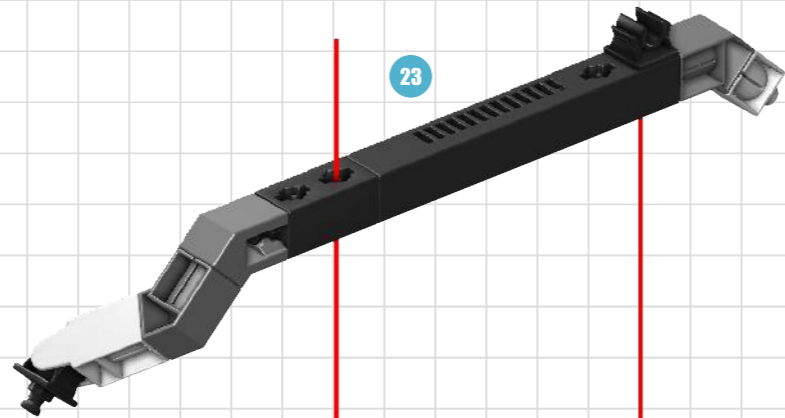
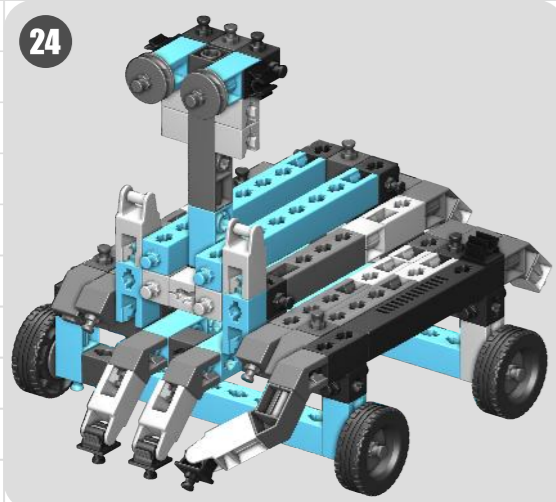
24



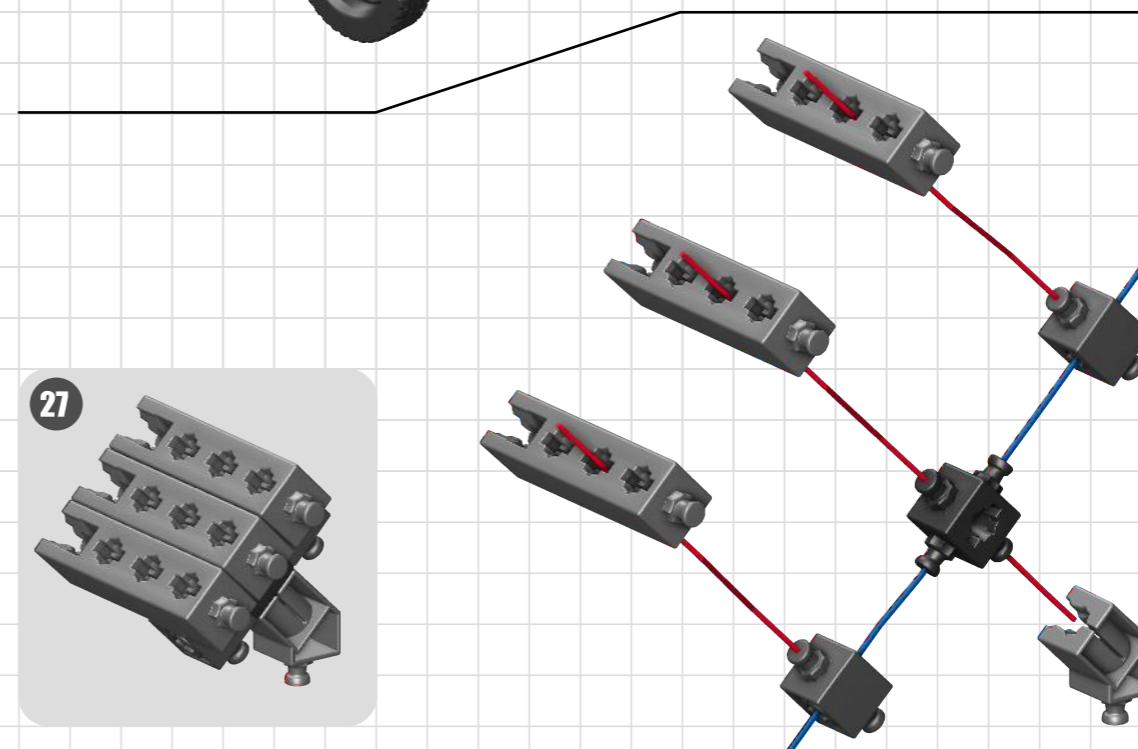
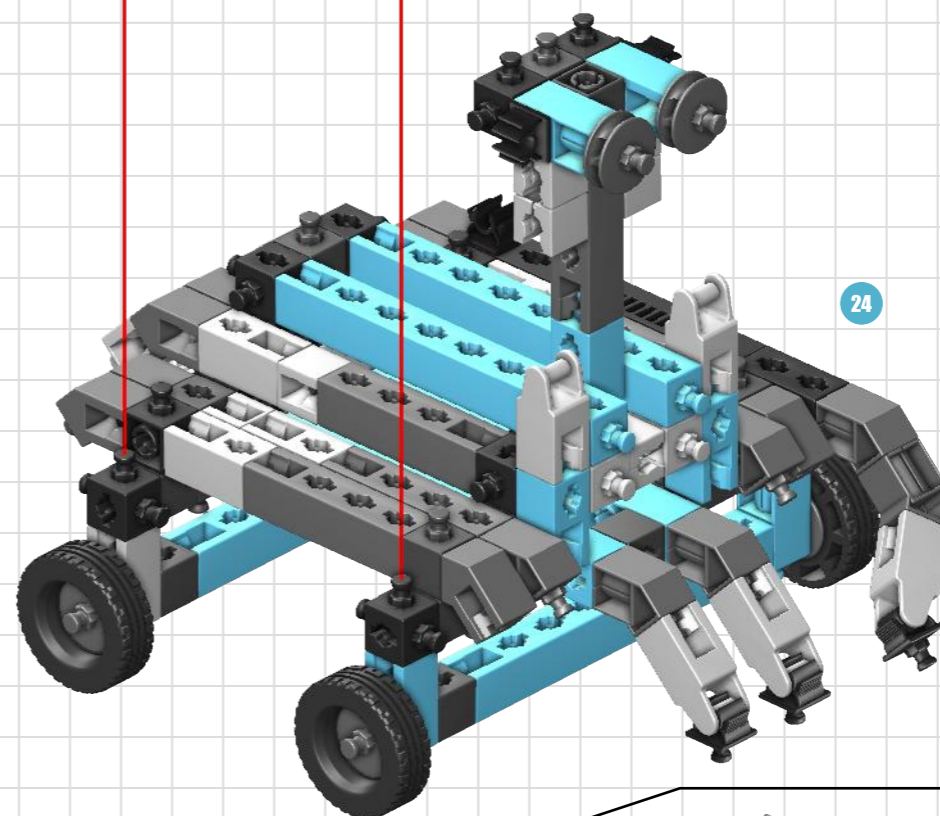
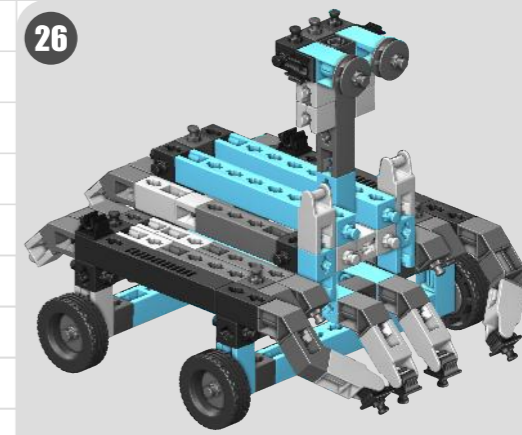
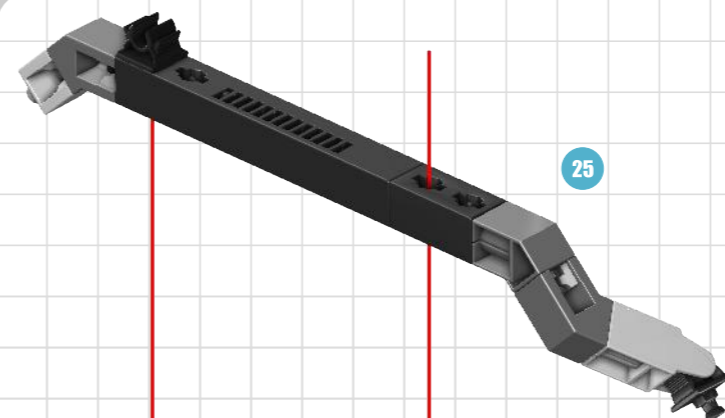
25



26

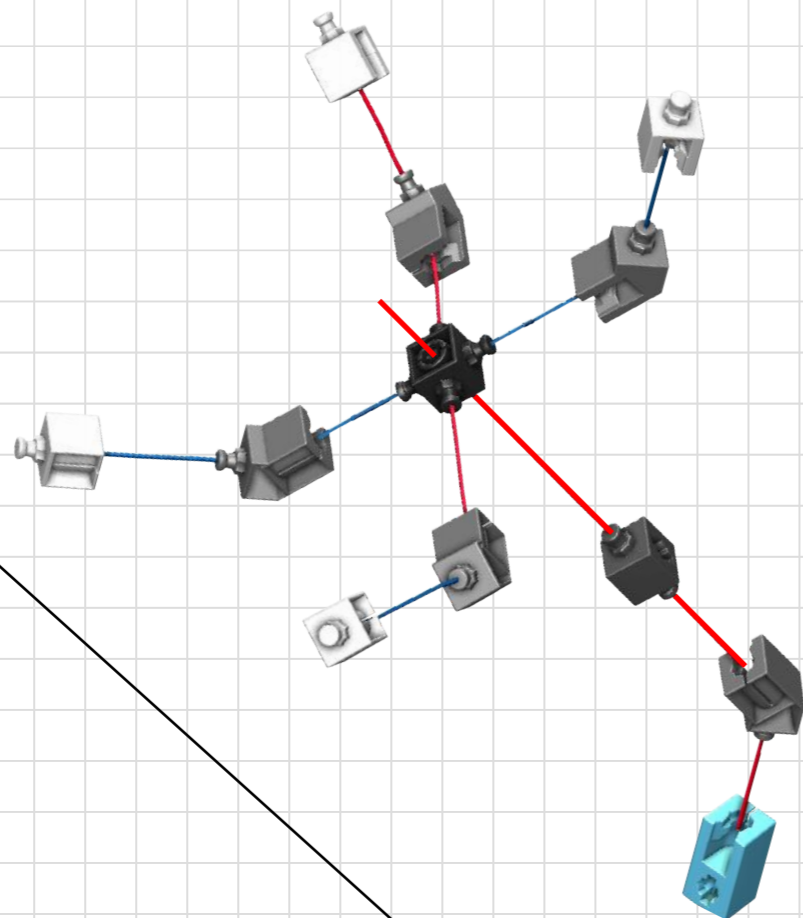
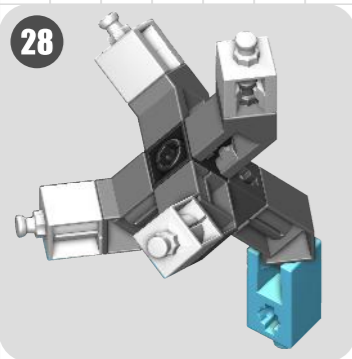


27

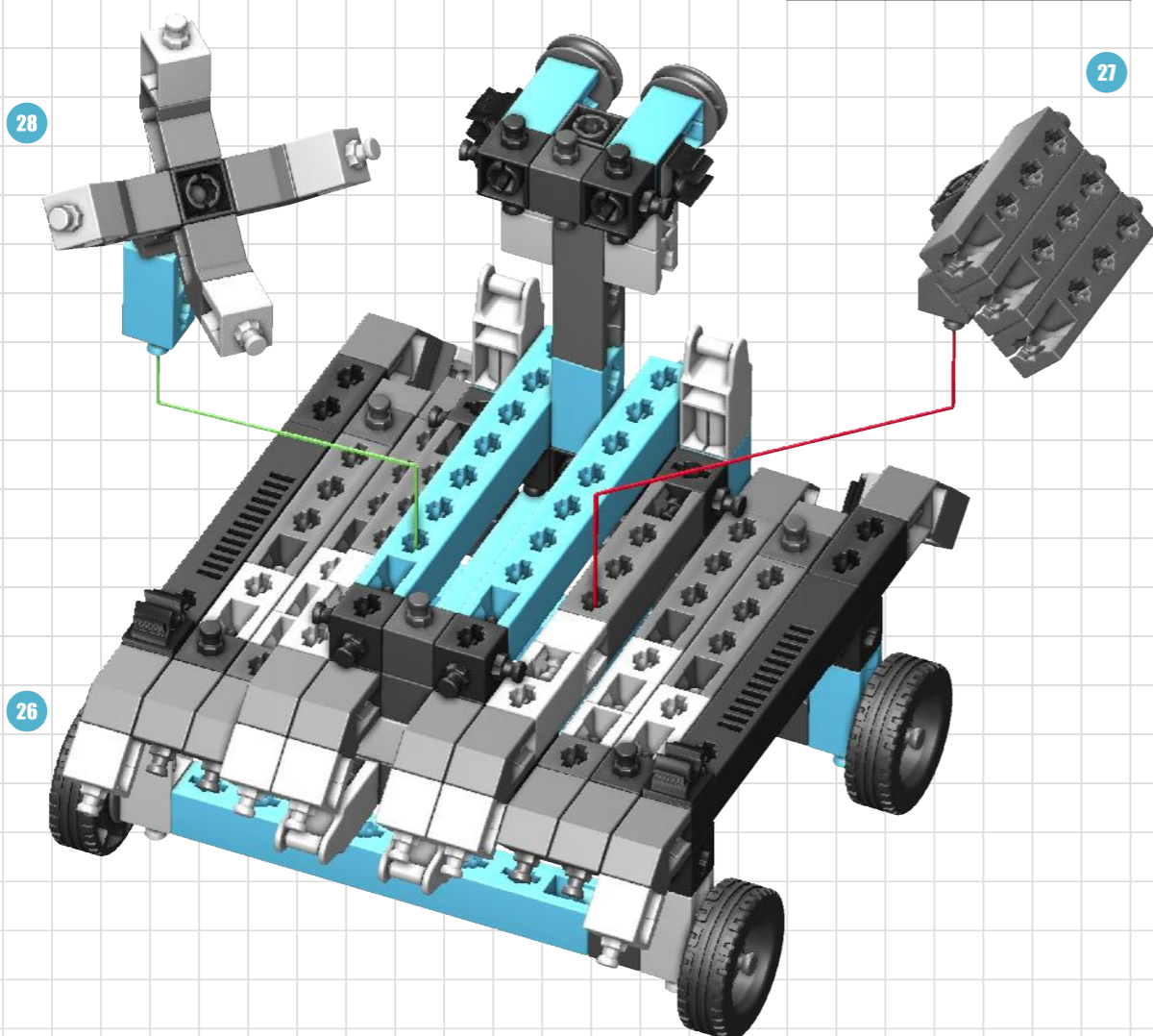


28

28

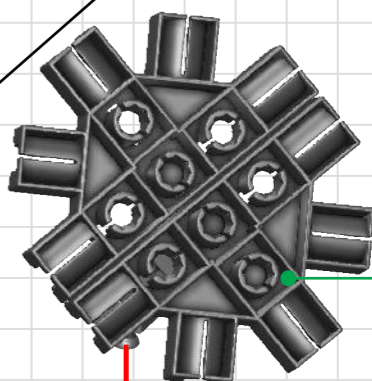
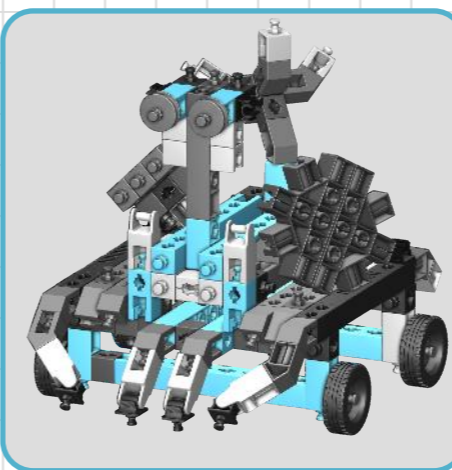
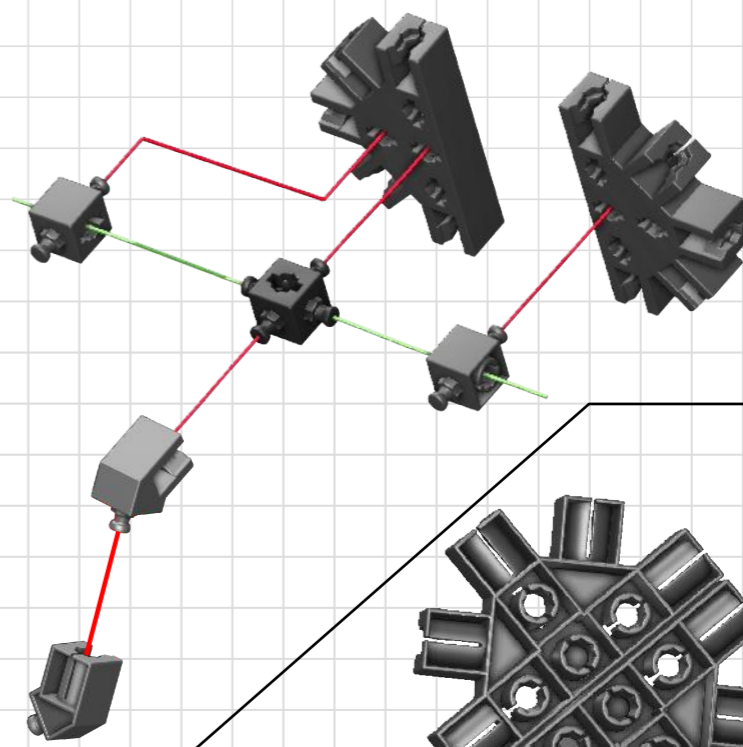
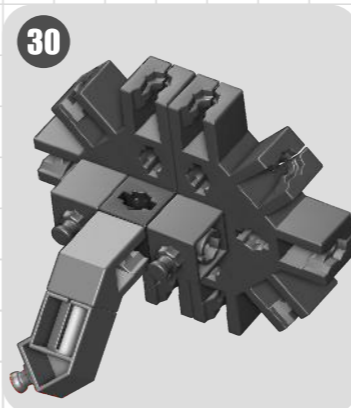


29

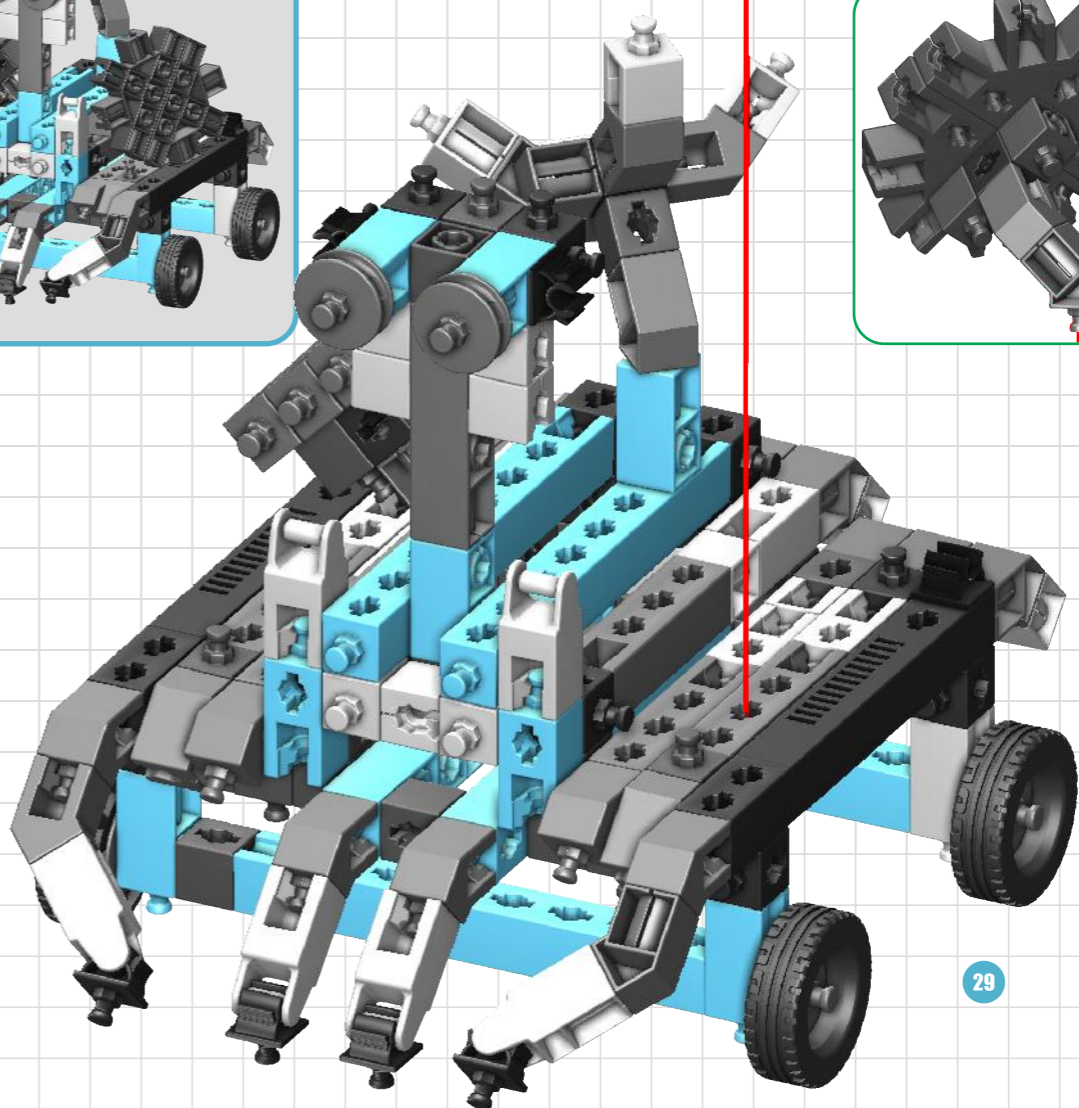
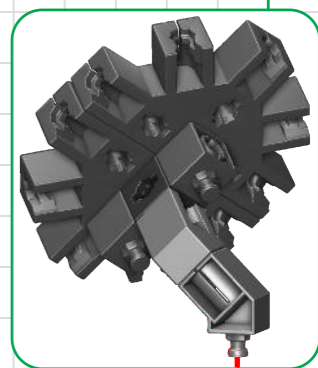


29

30



30



30