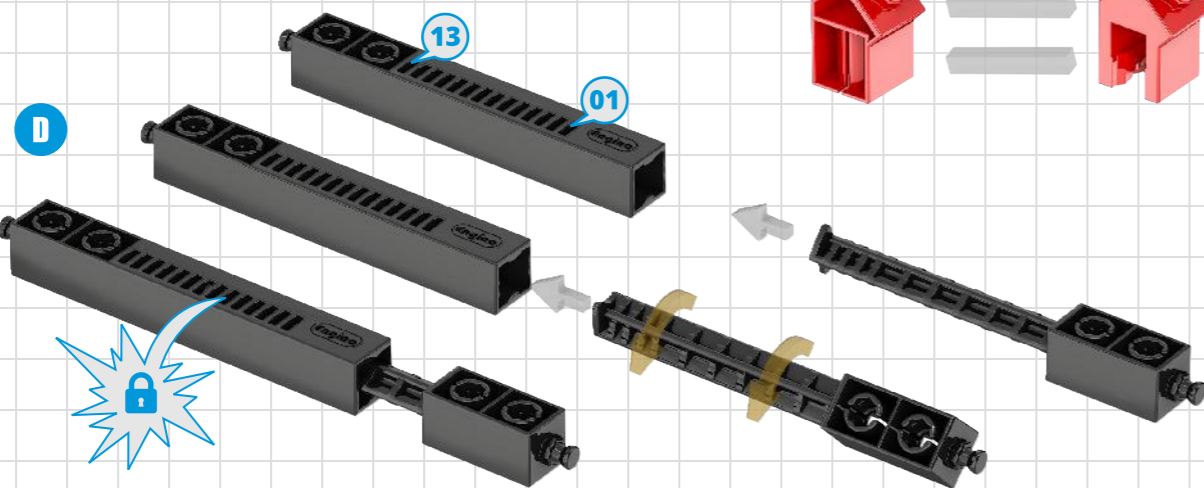
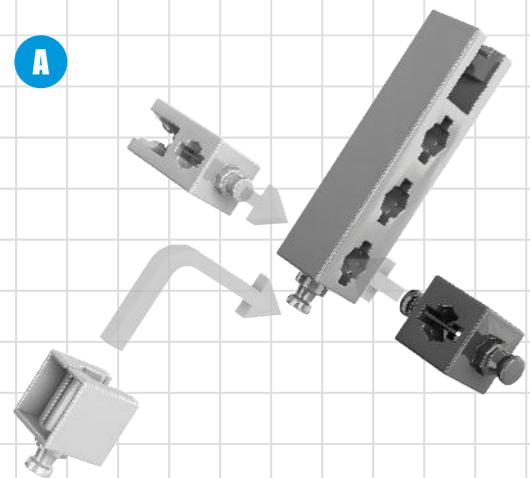
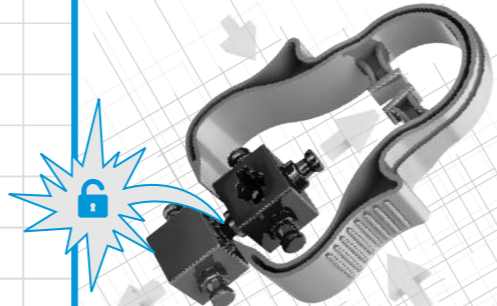


Building Tips

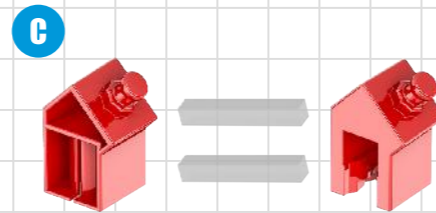


Turn to lock and adjust length!

Extraction Tool



Push sides of the tool to disassemble small parts!



More models online

A Use your PC or tablet and go to the following link for more models:

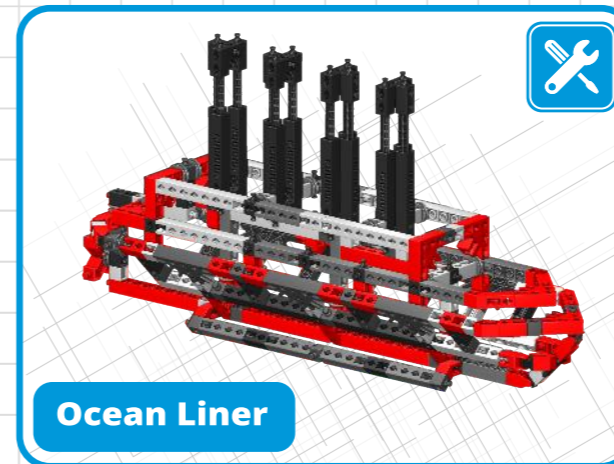
www.engino.com/instructions/sth71

B Download the app to discover step-by-step instructions in 3D view!

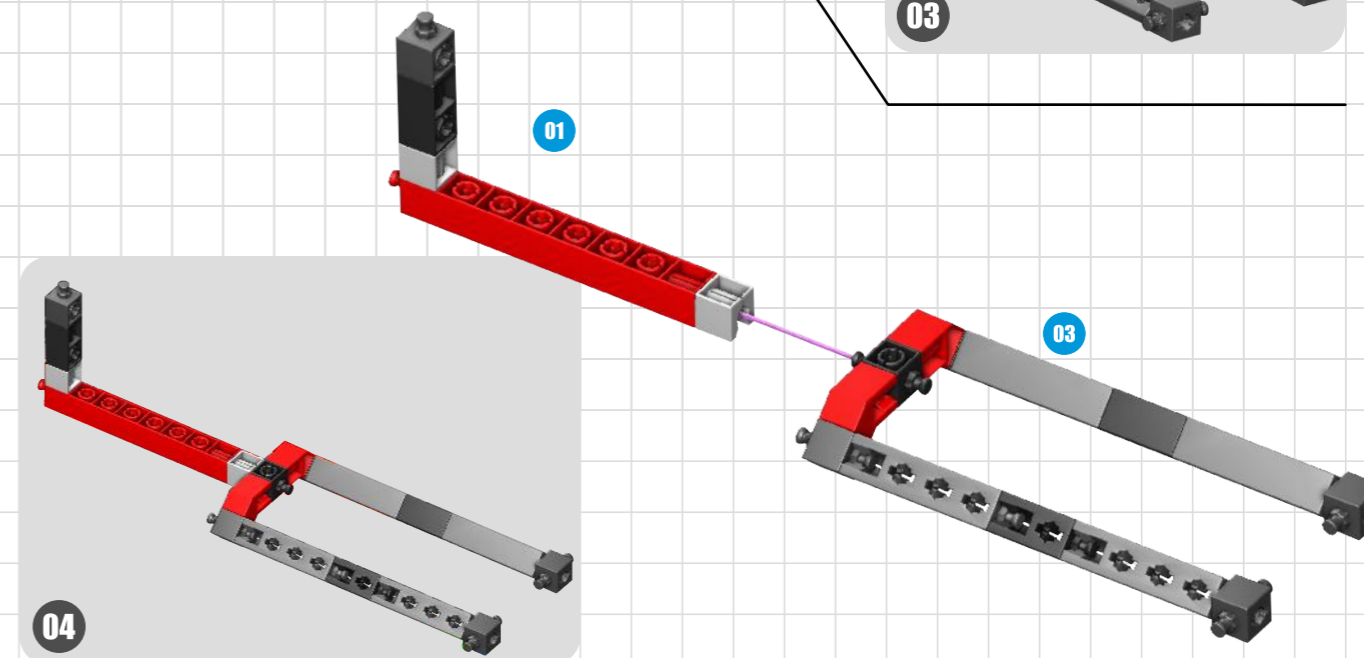
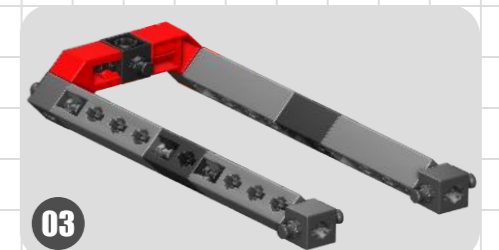
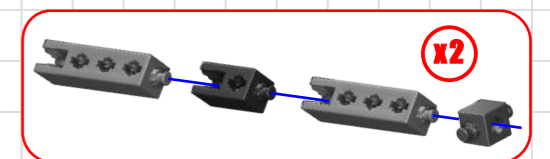
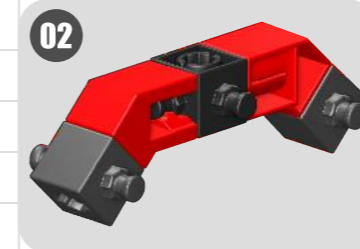
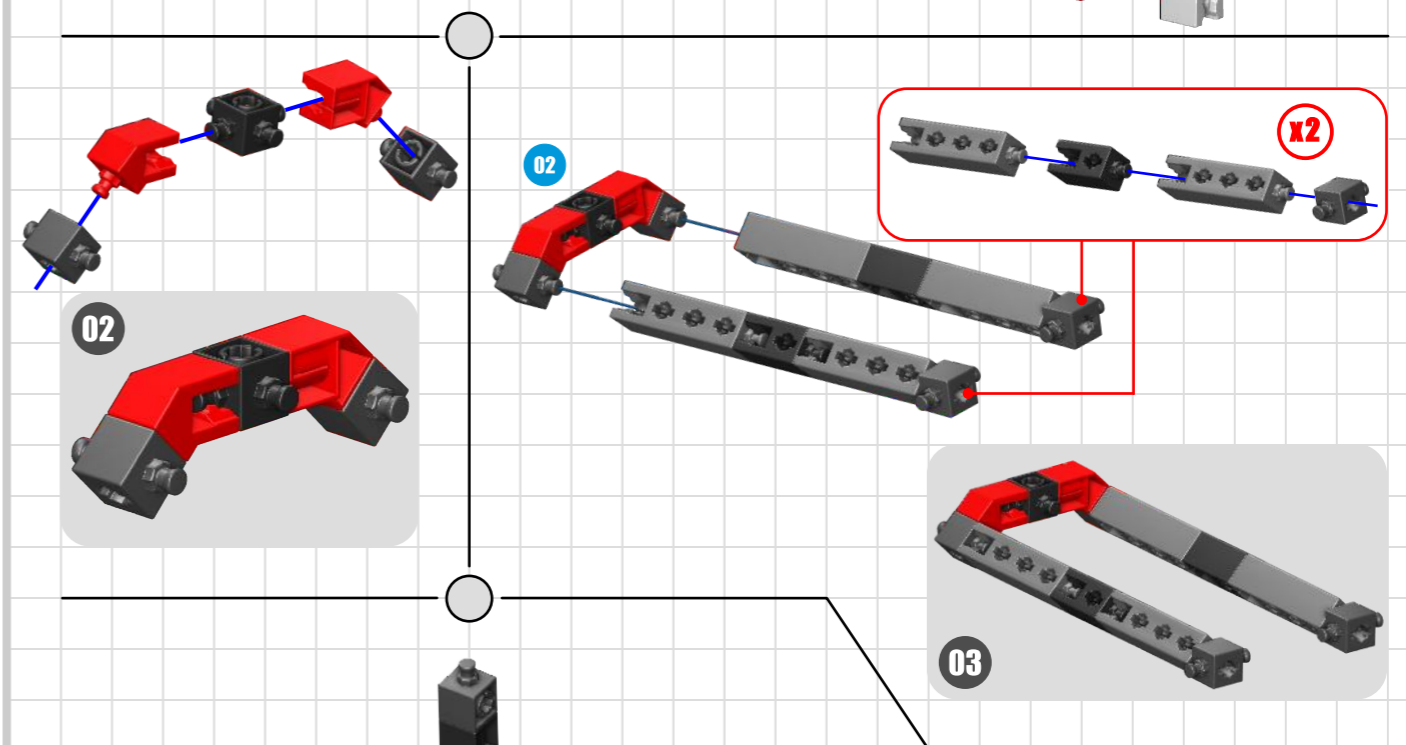
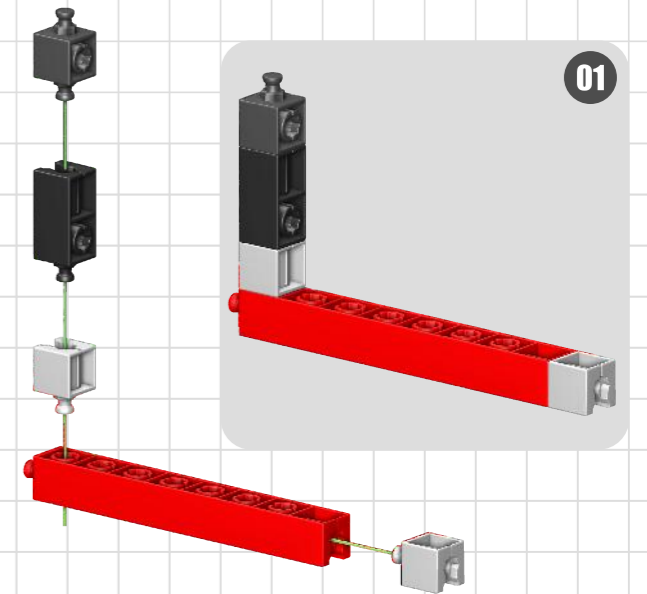
Engino kidCAD (3D Viewer) app:



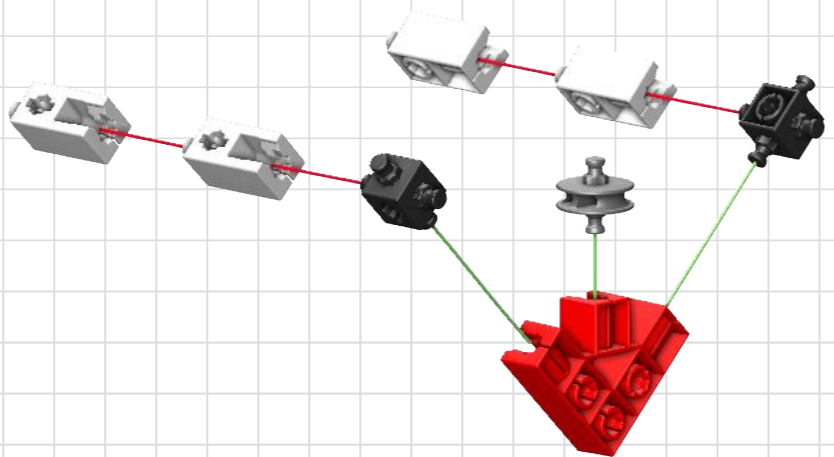
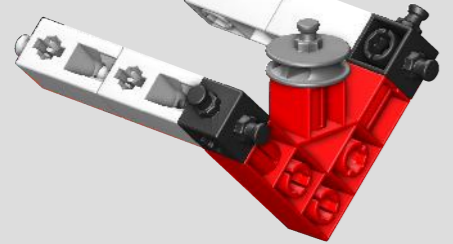
Building Instructions



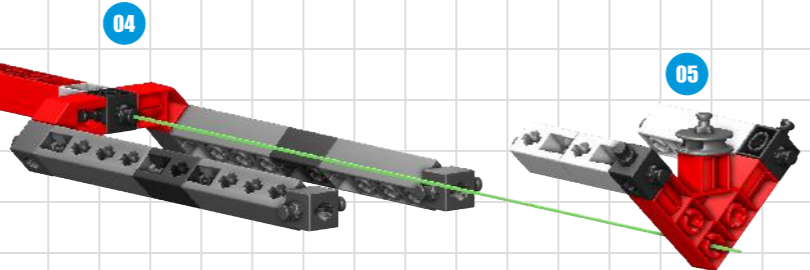
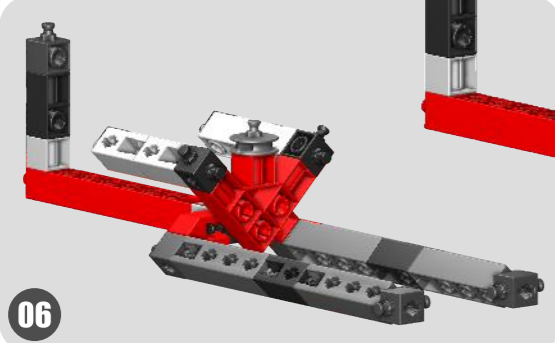
Ocean Liner



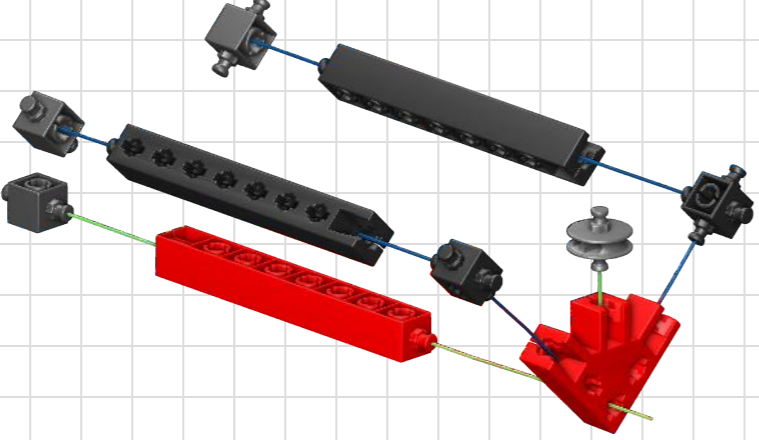
05



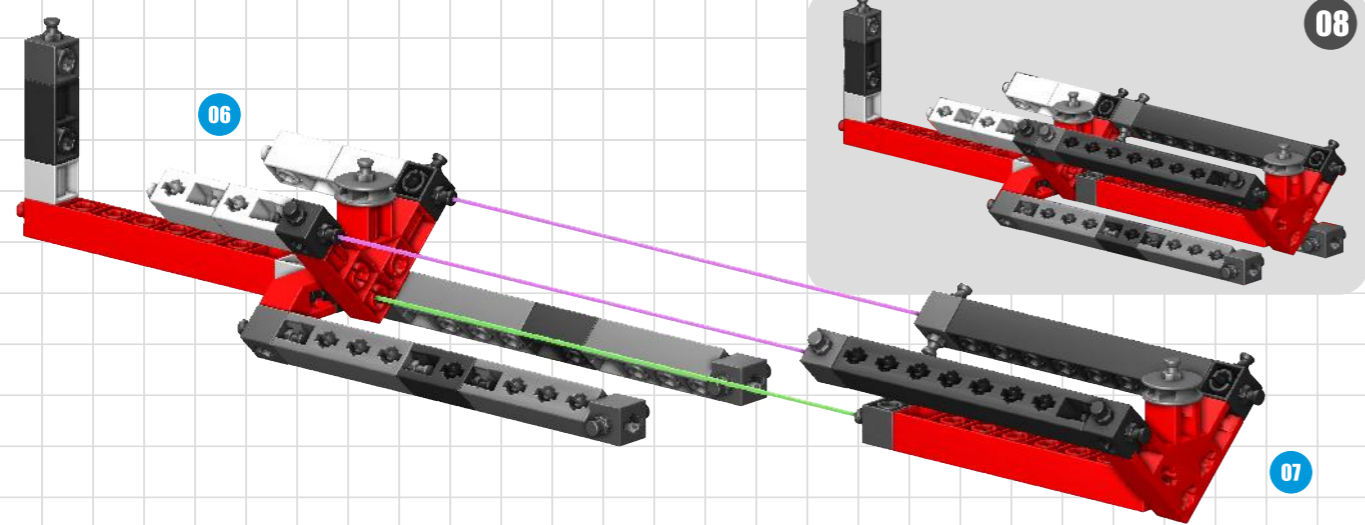
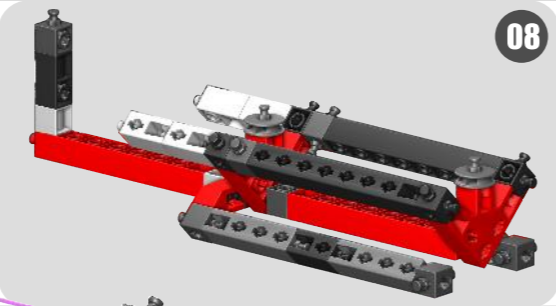
06



07

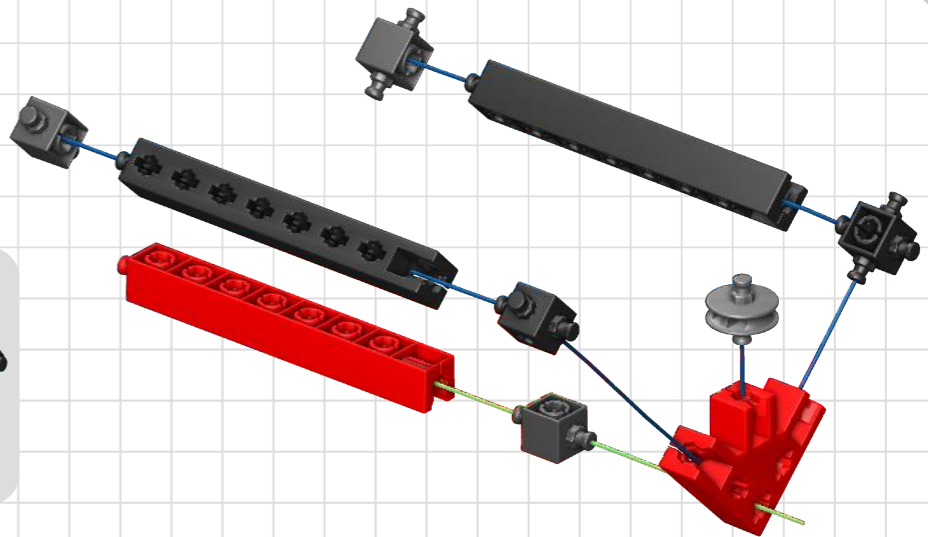
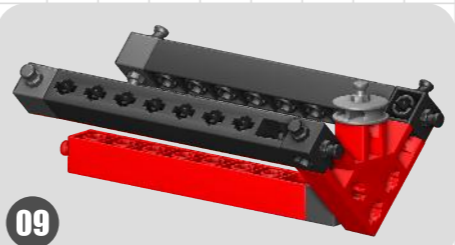


08

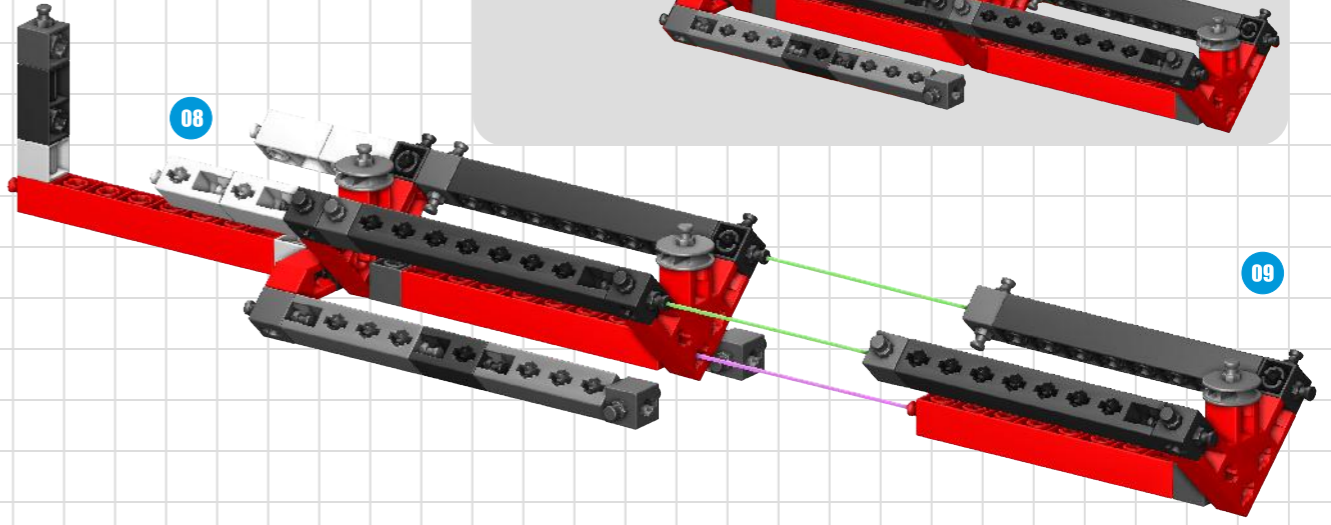
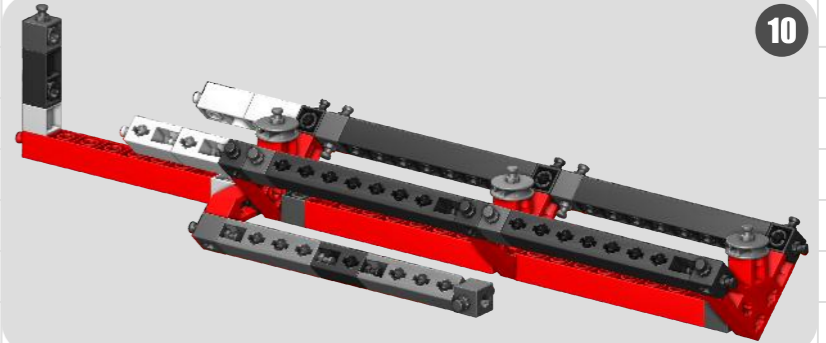


11

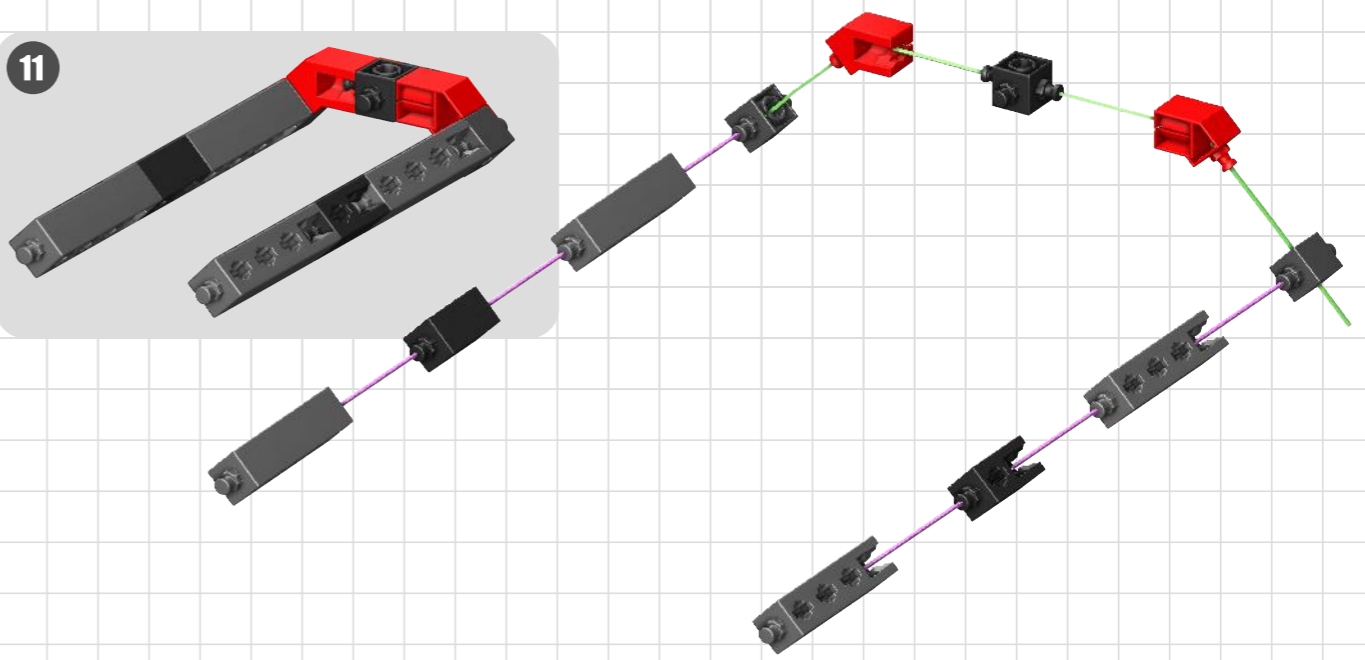
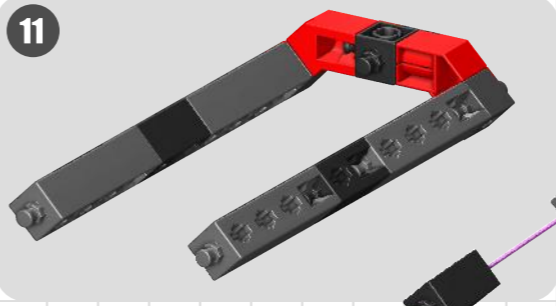
09



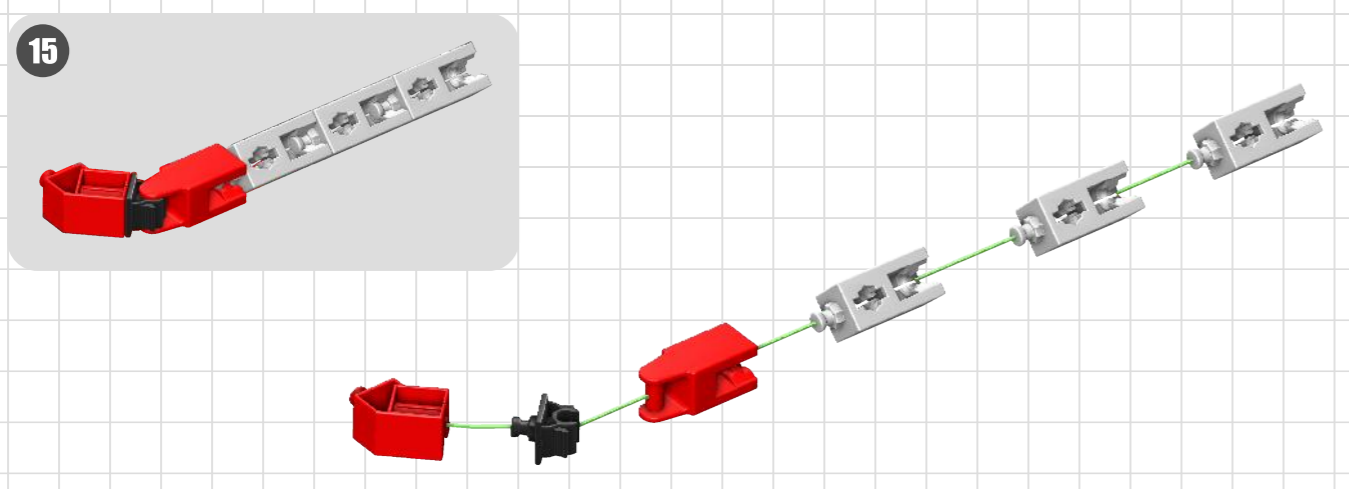
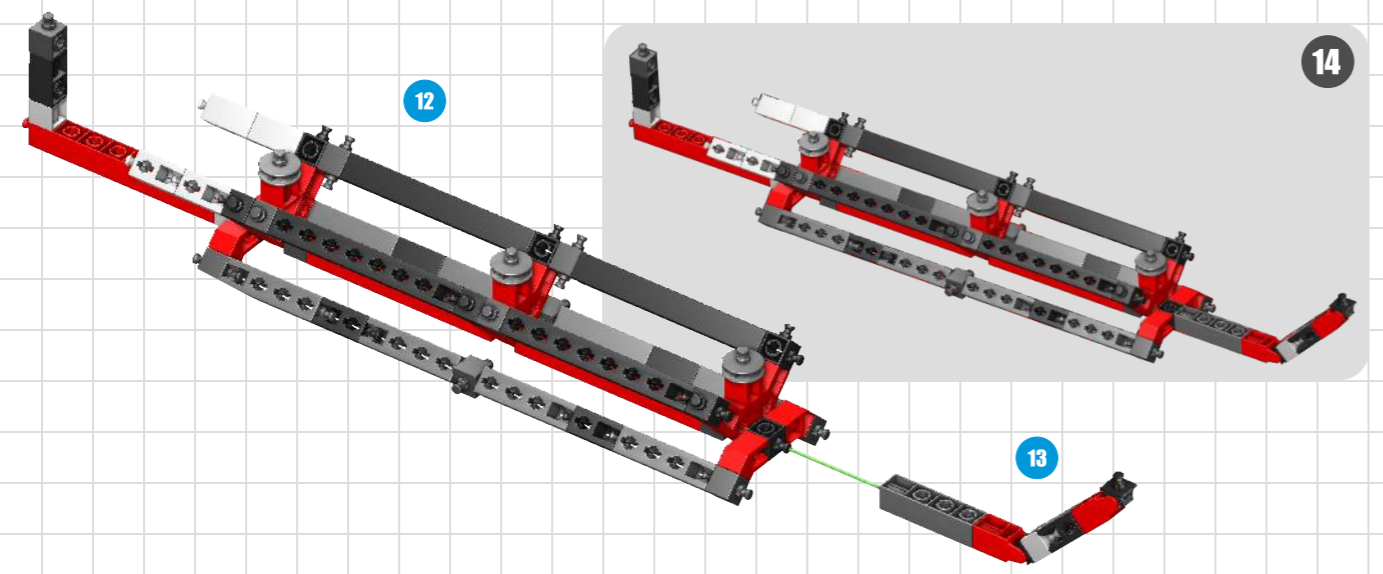
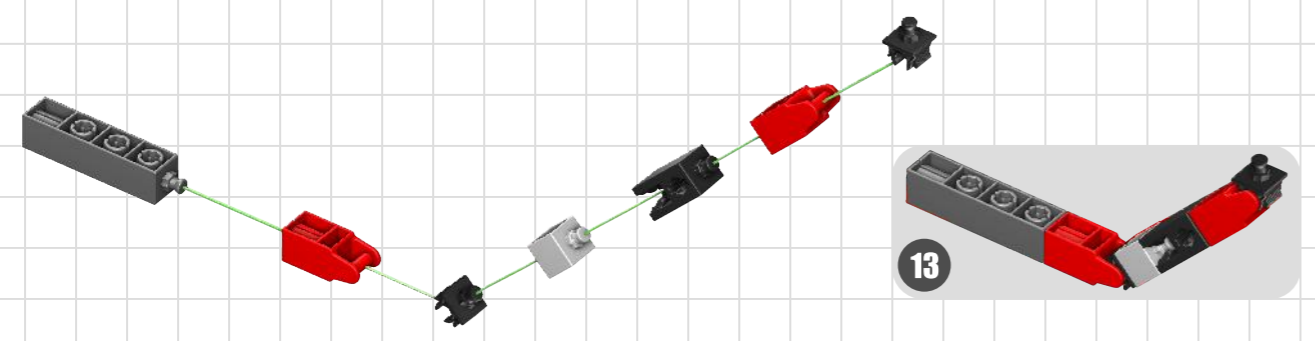
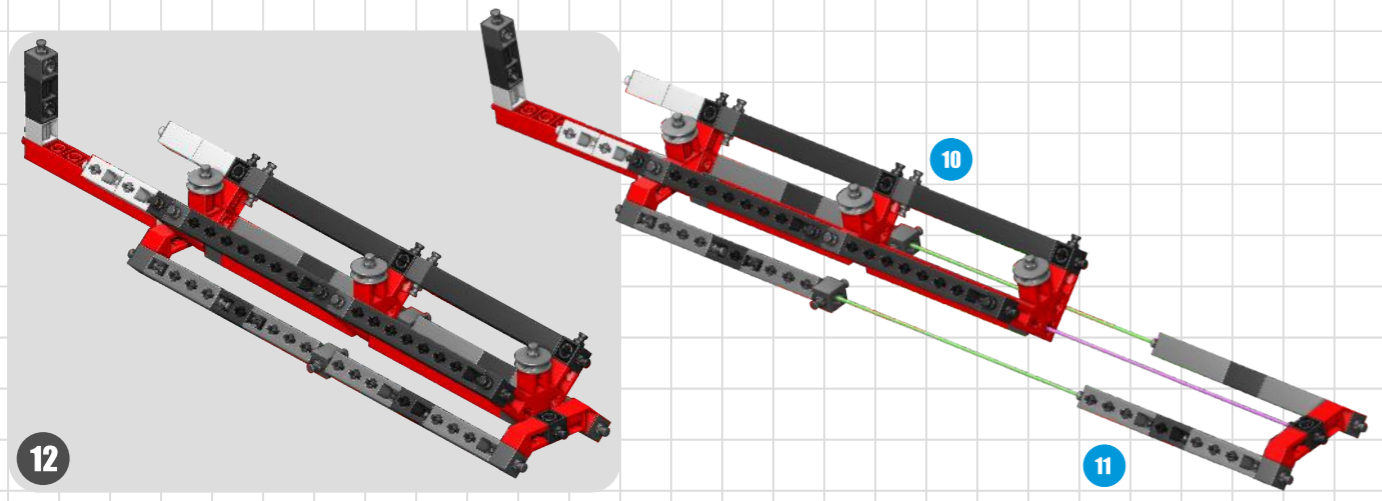
10



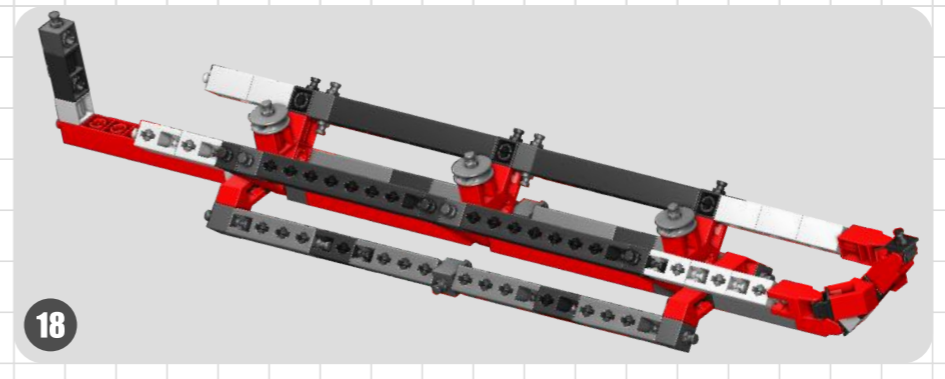
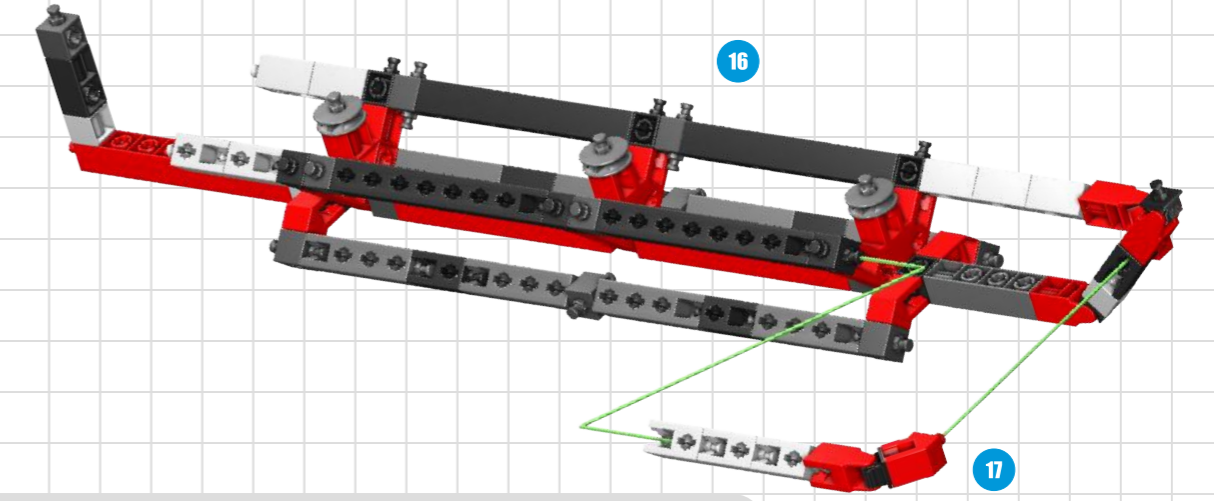
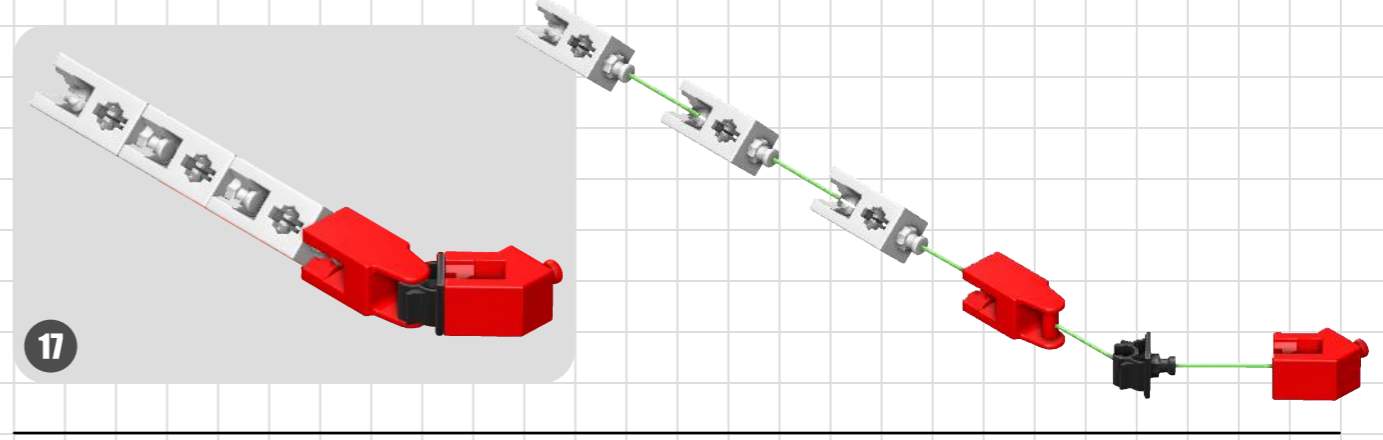
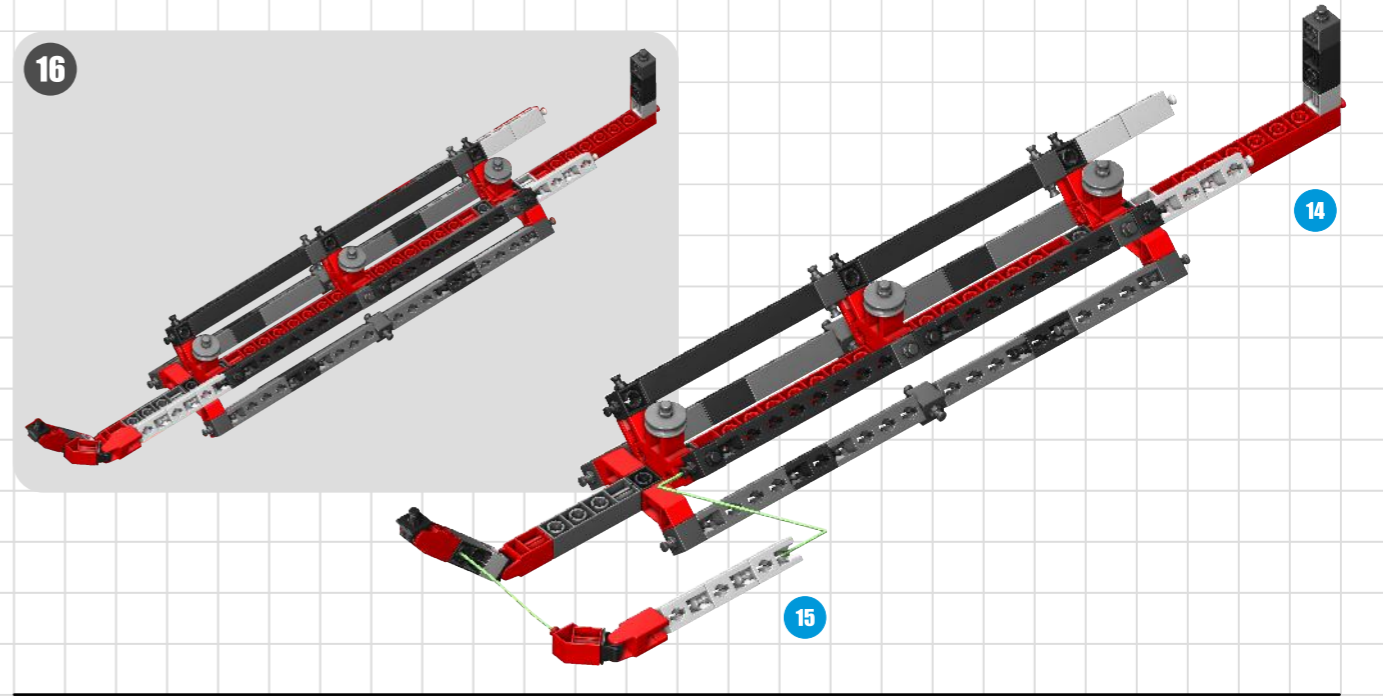
11



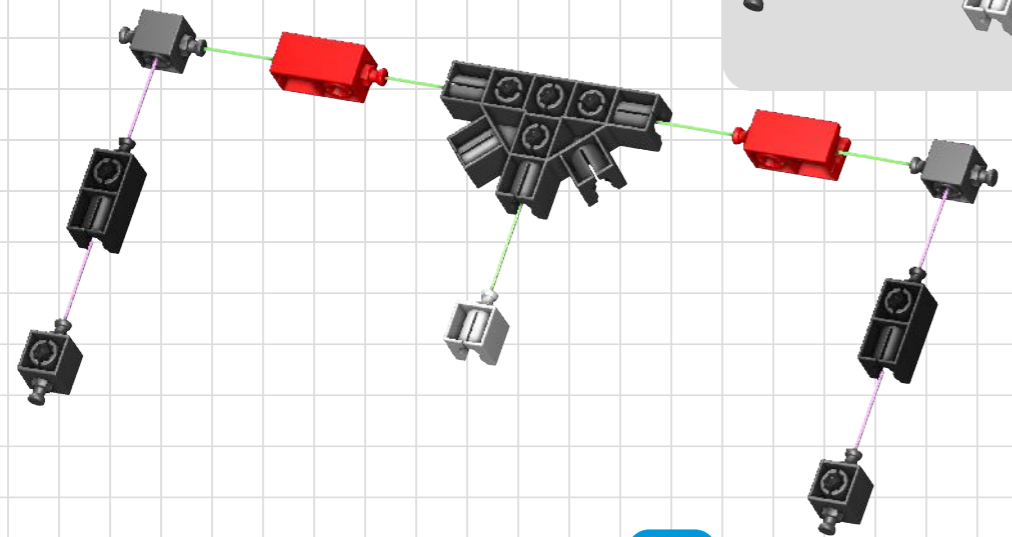
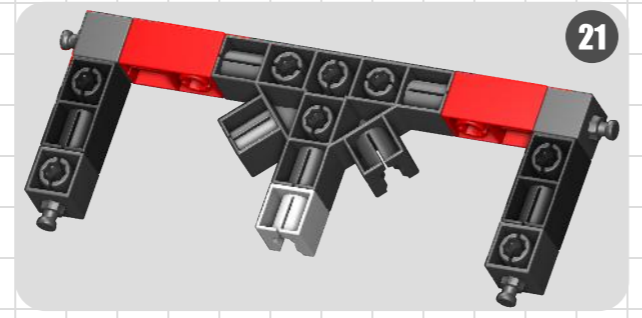
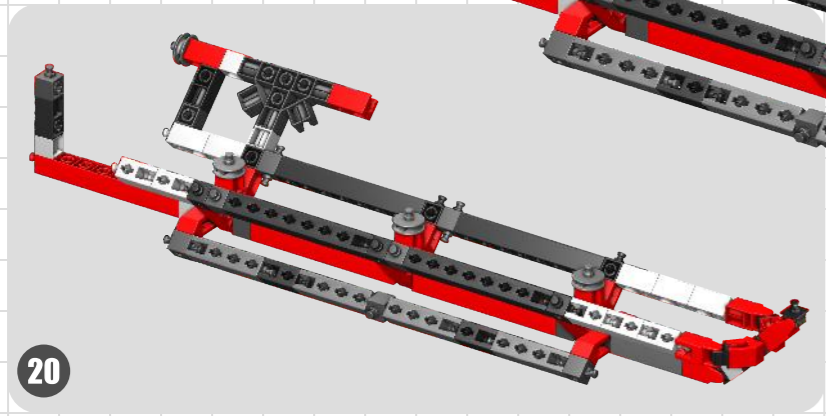
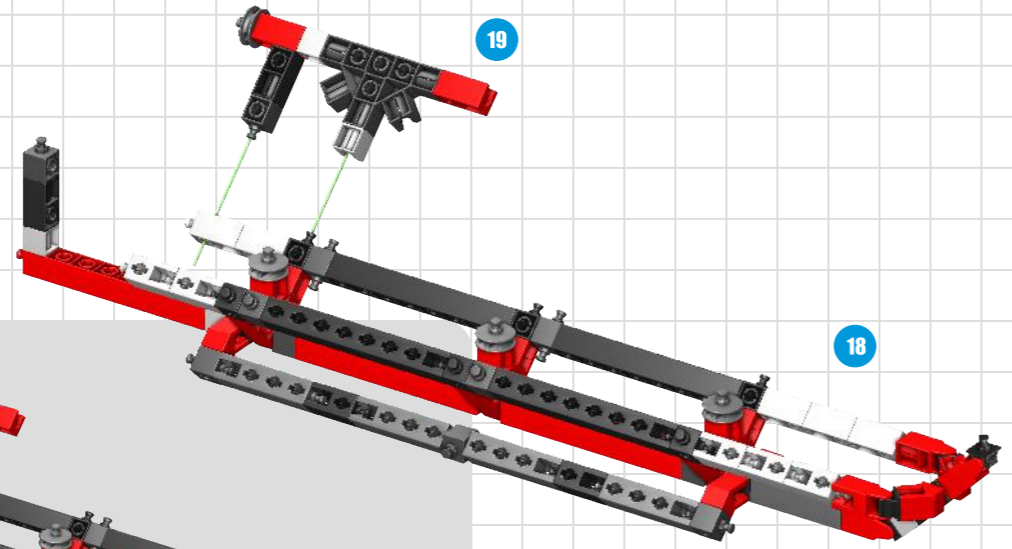
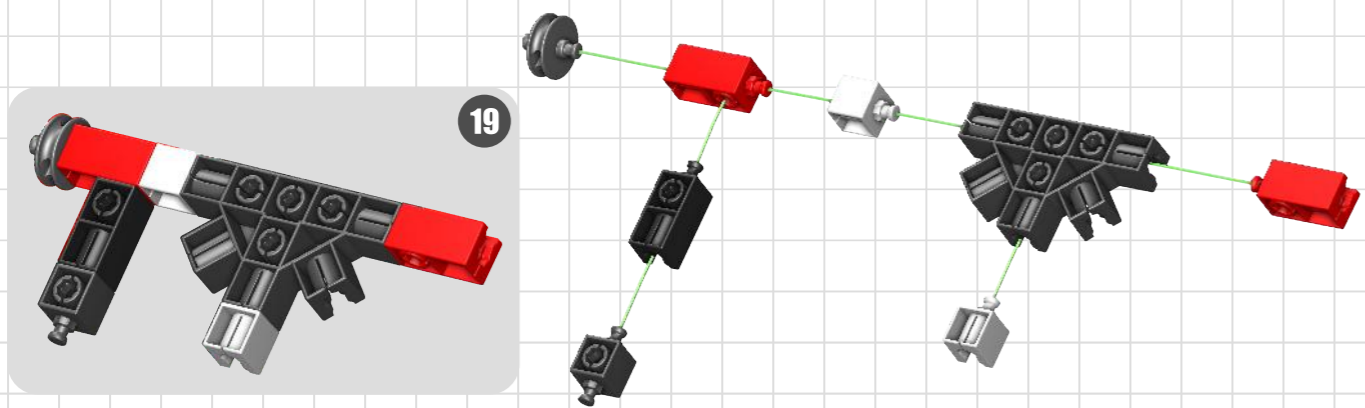
12



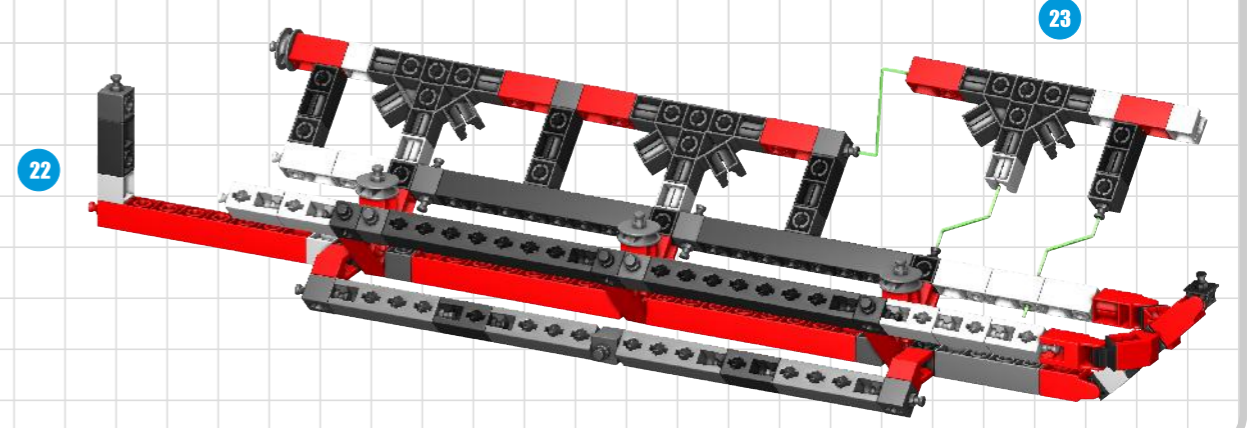
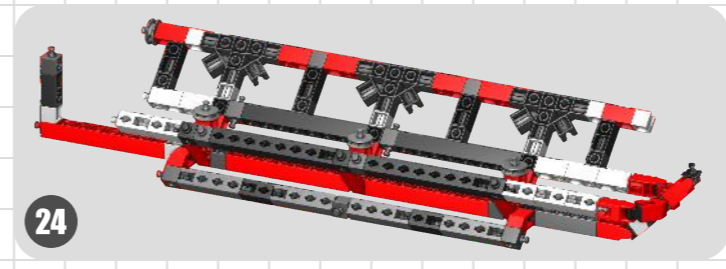
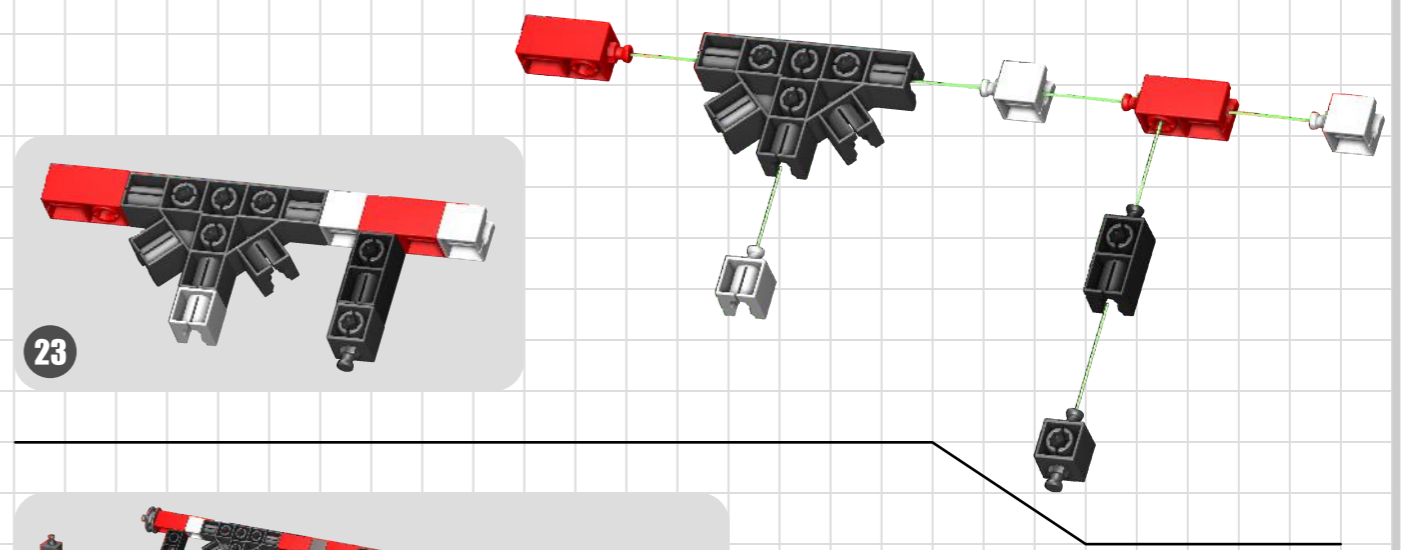
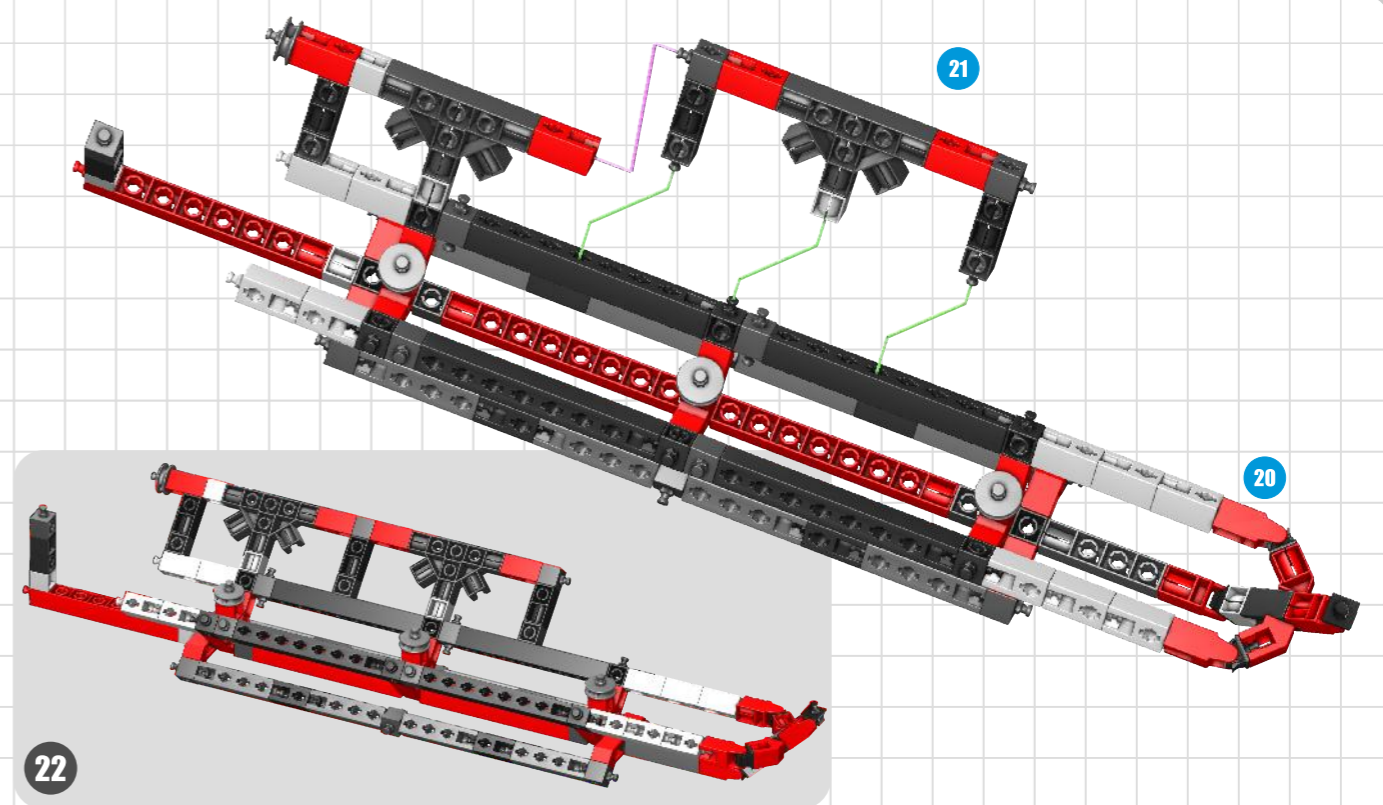
13



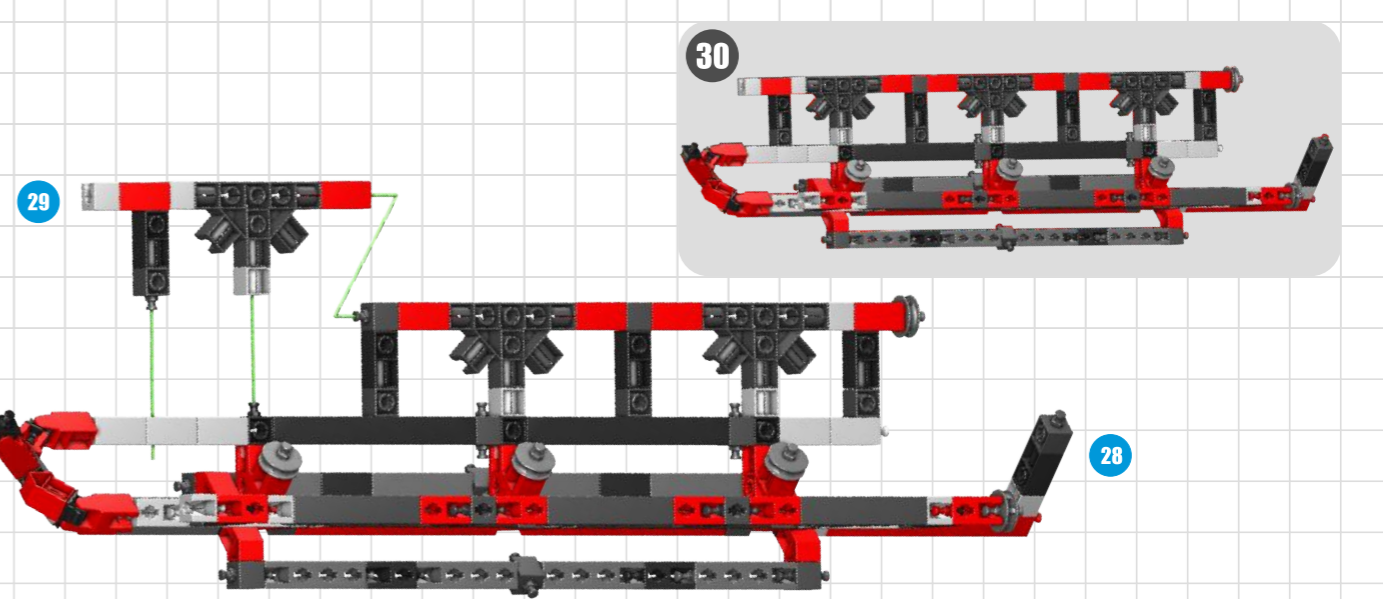
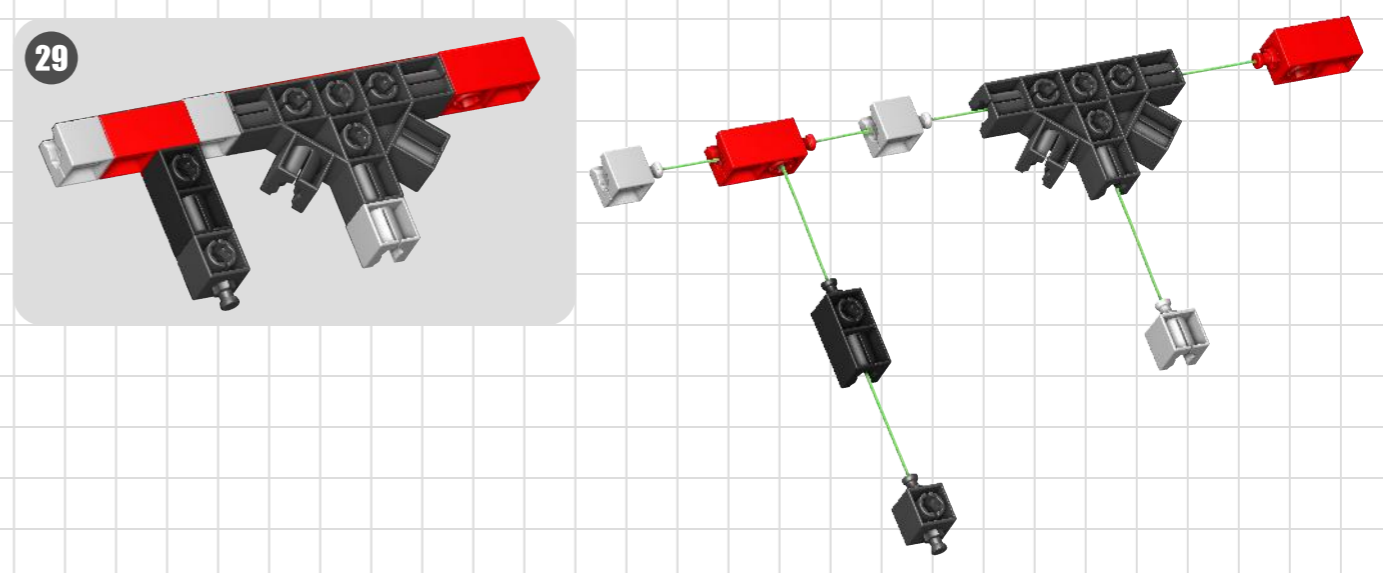
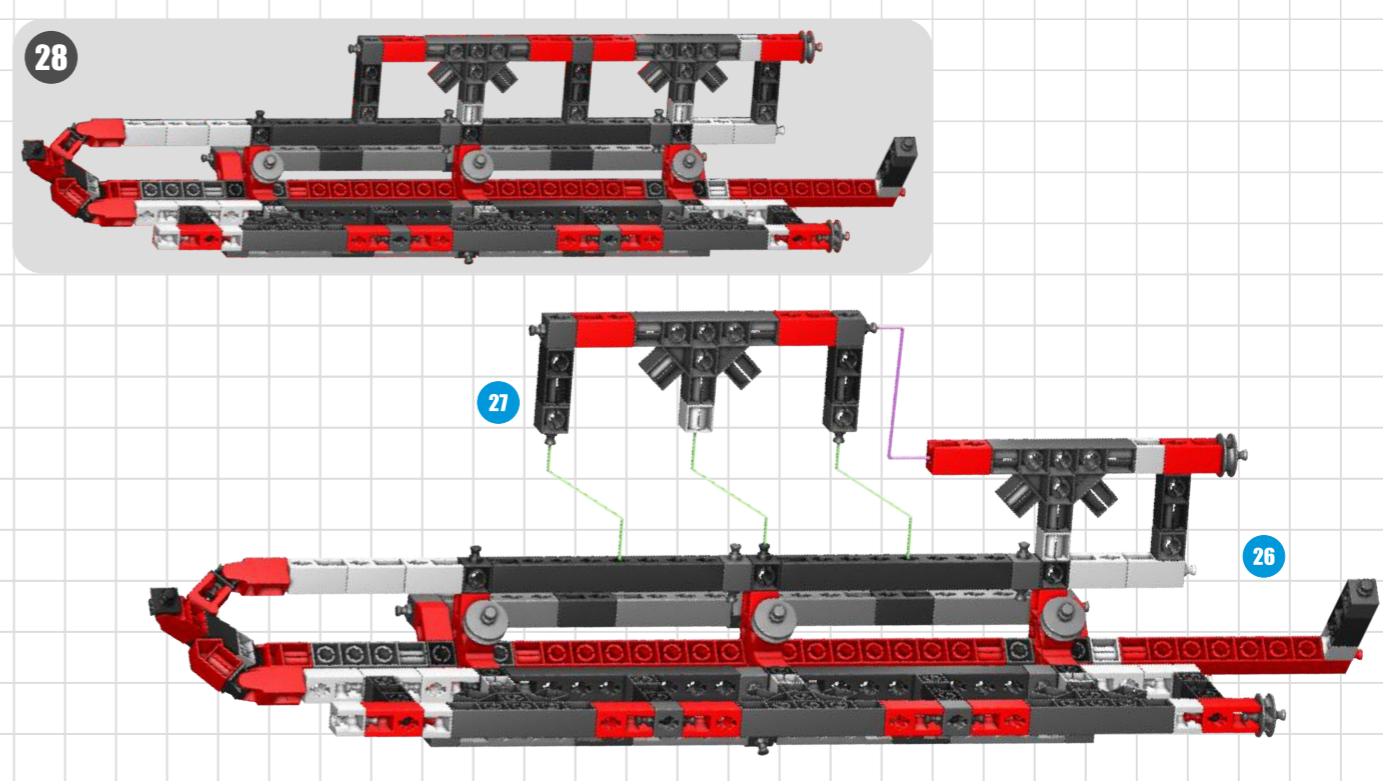
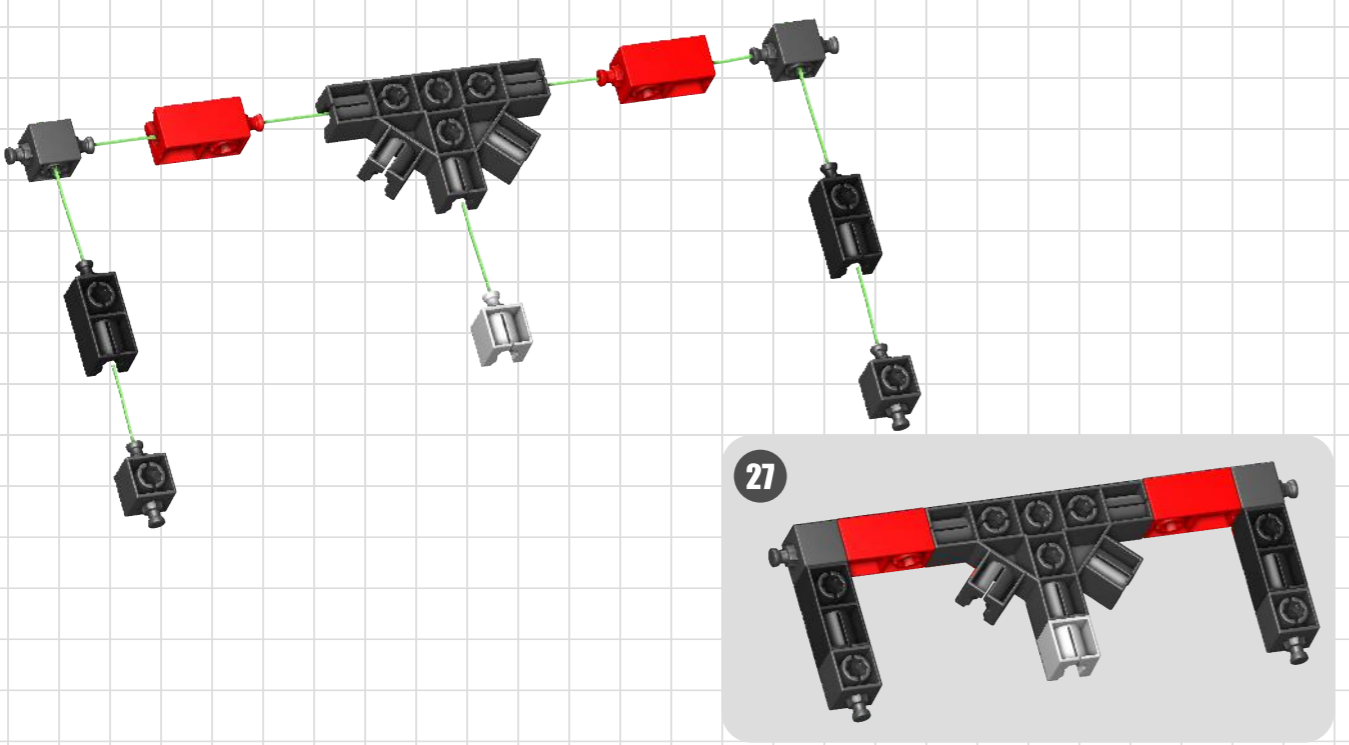
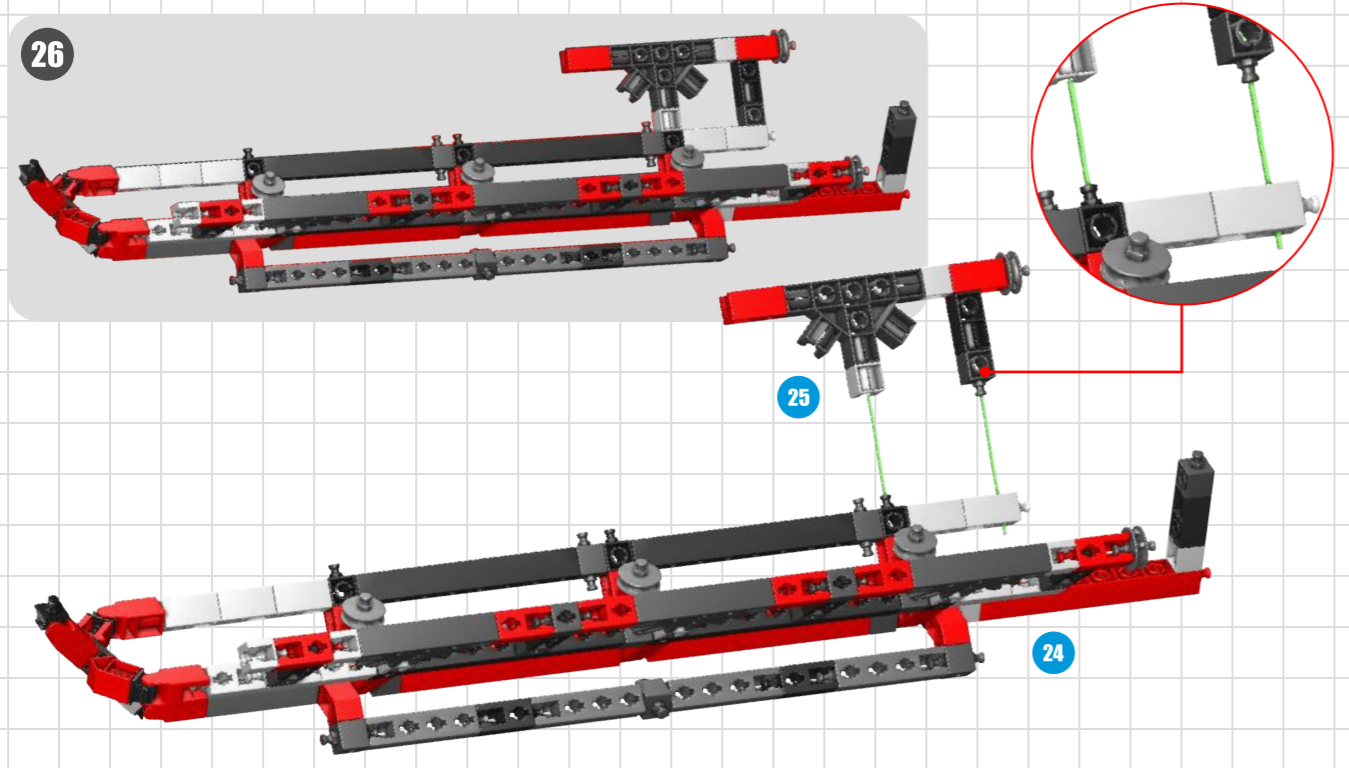
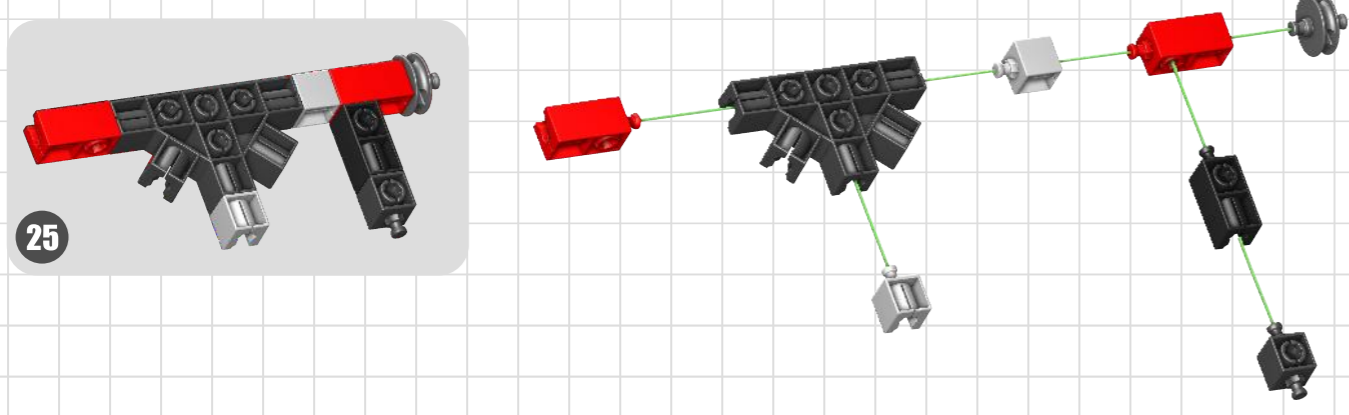
14

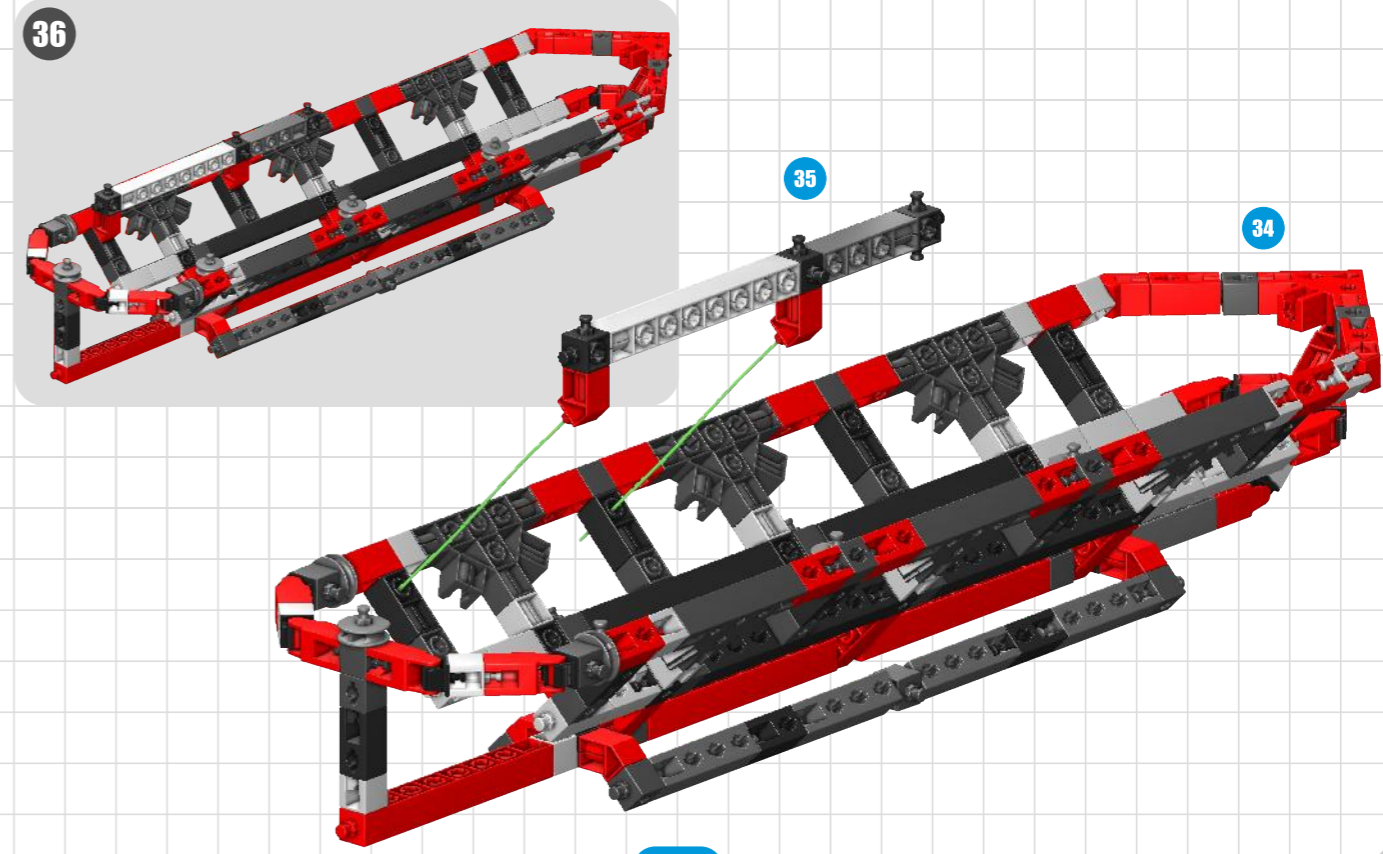
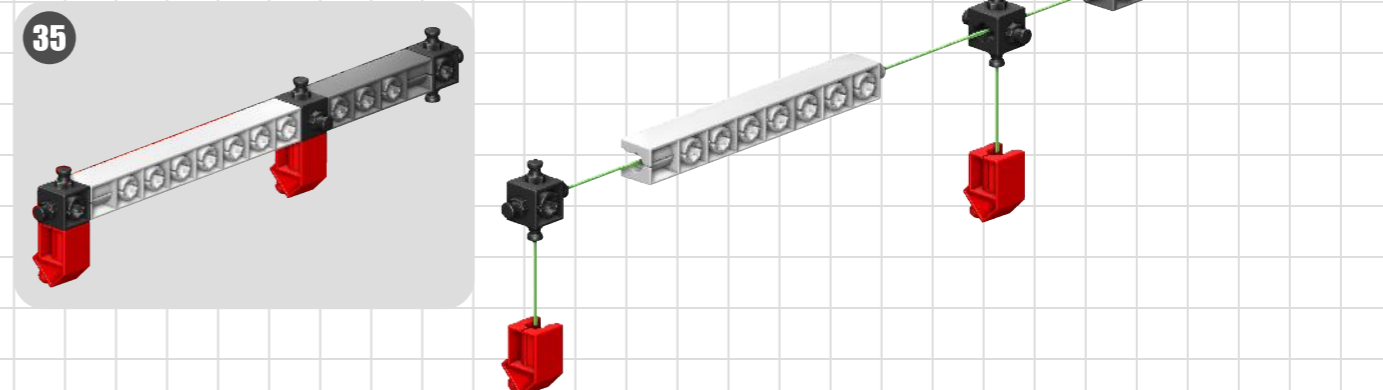
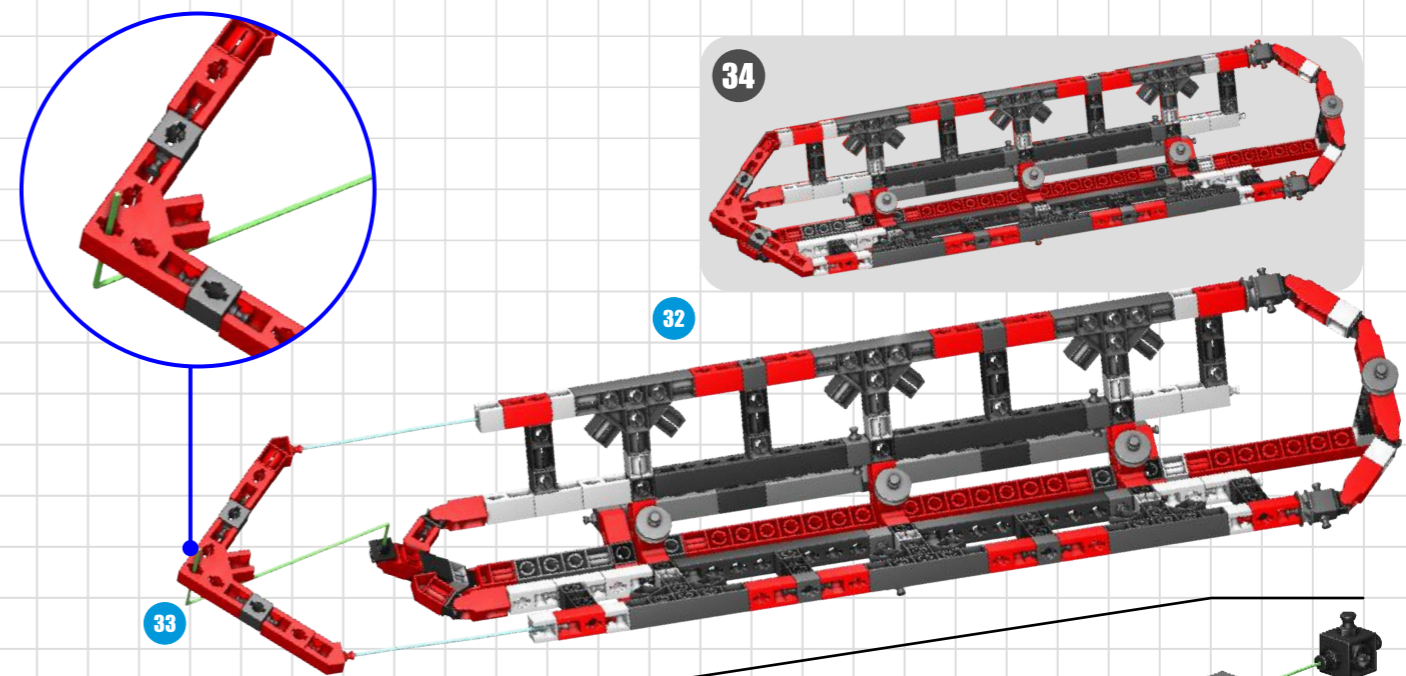
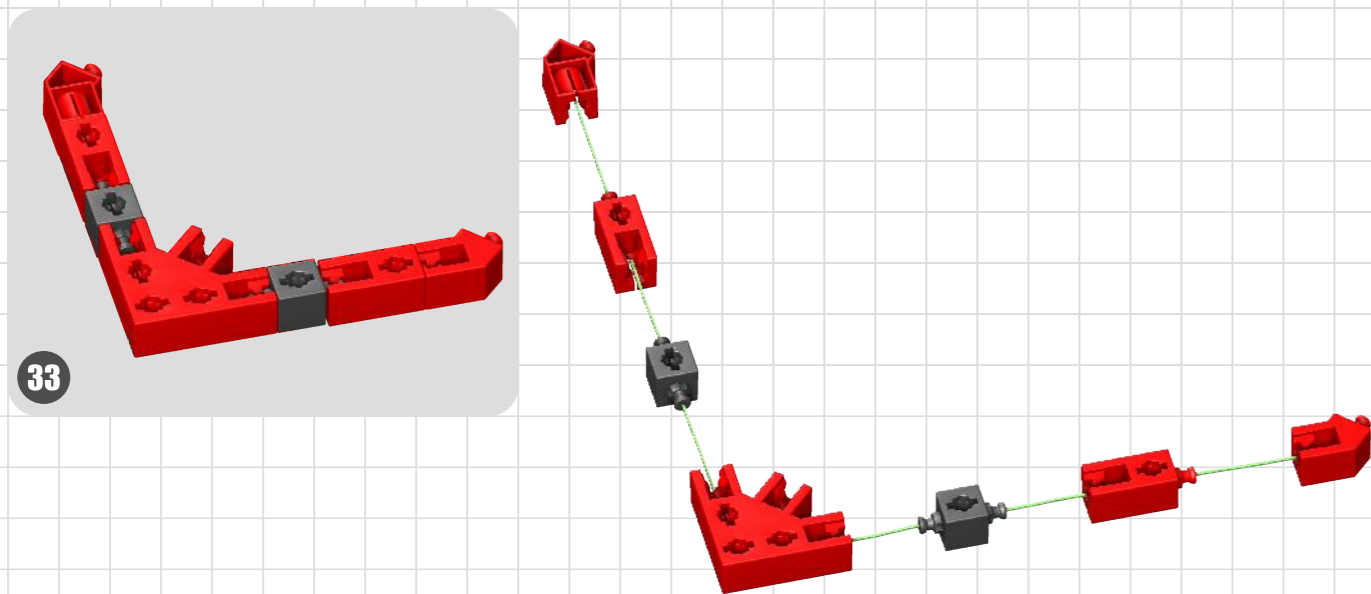
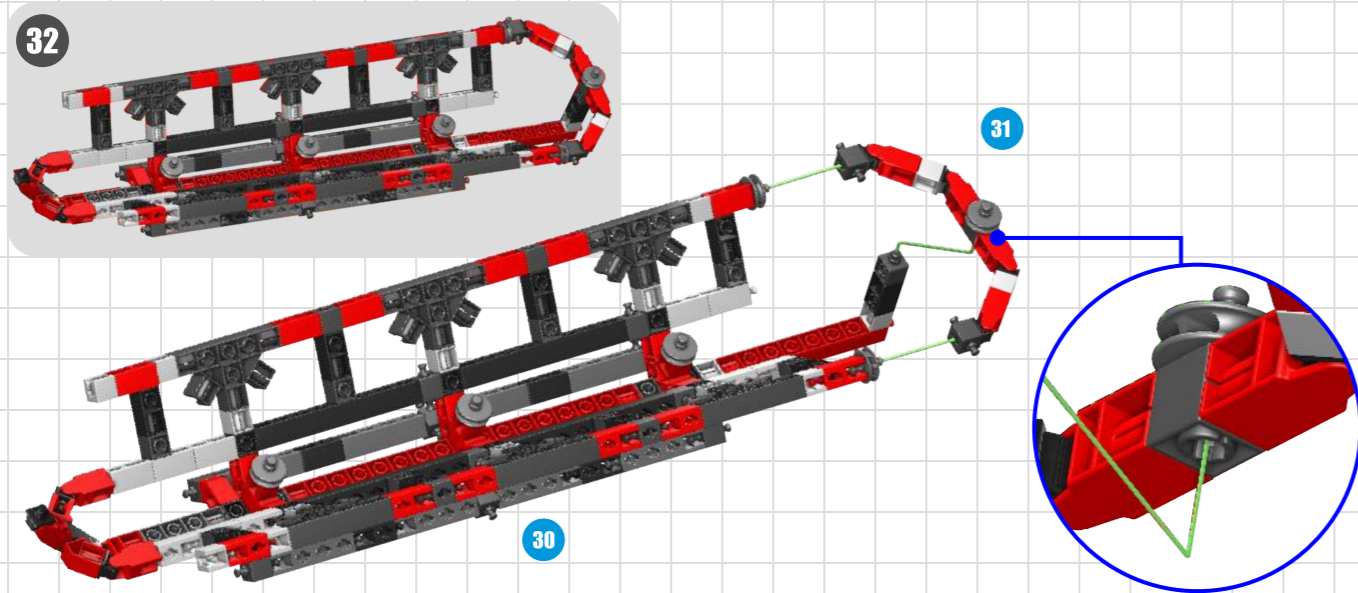
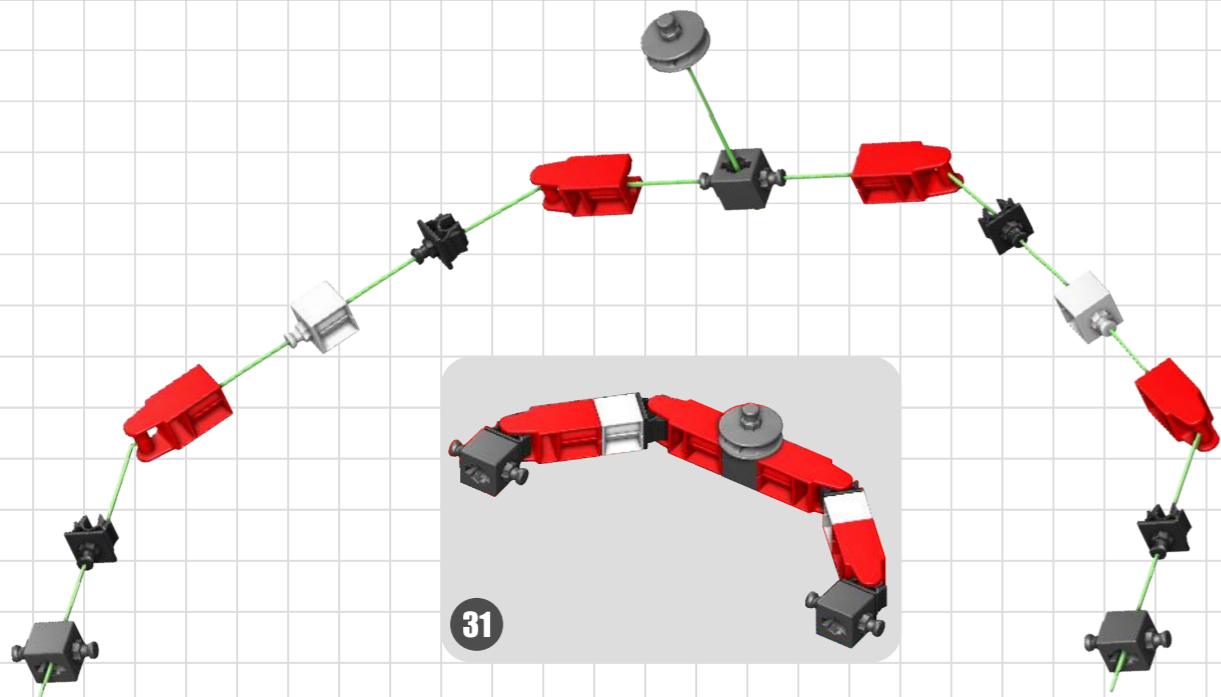


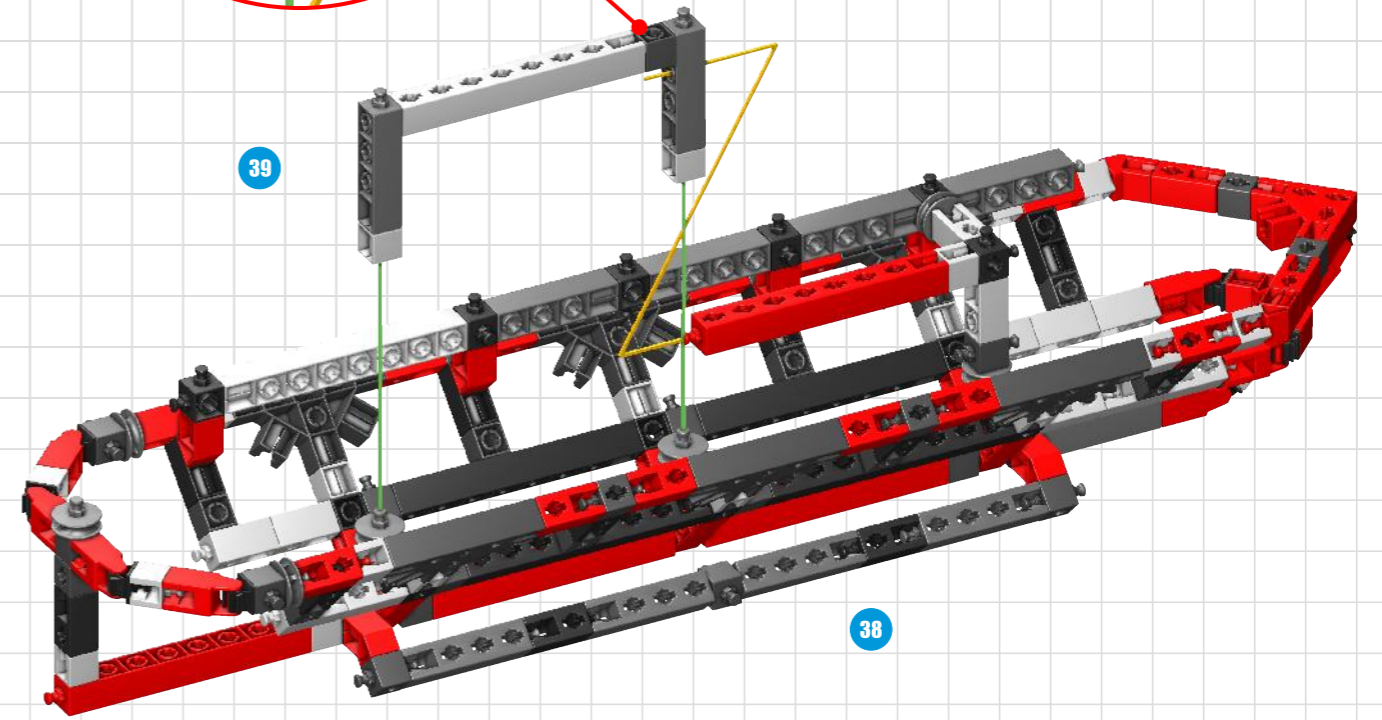
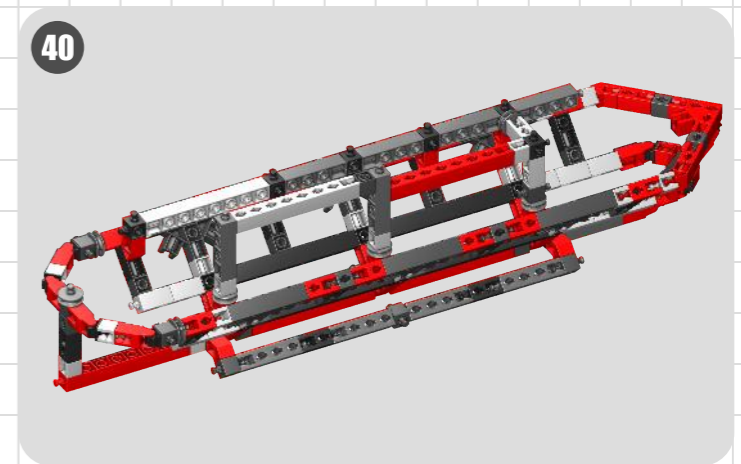
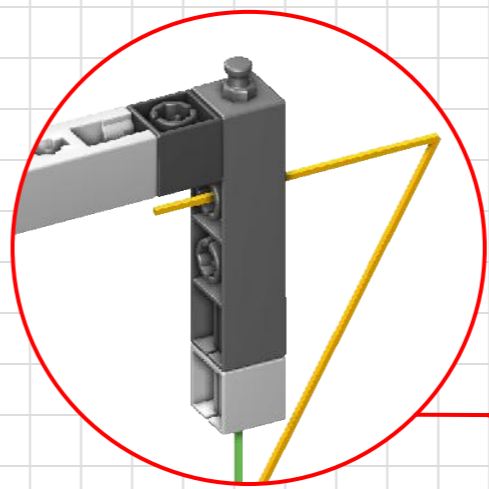
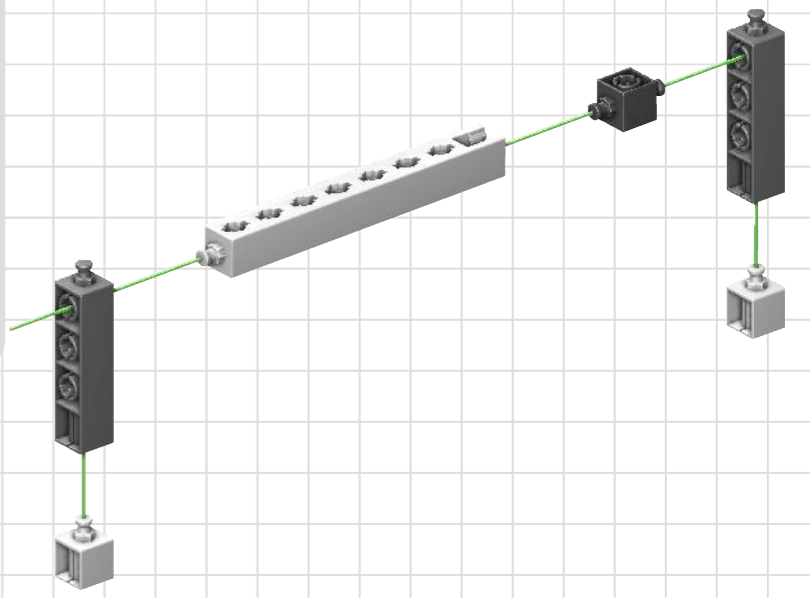
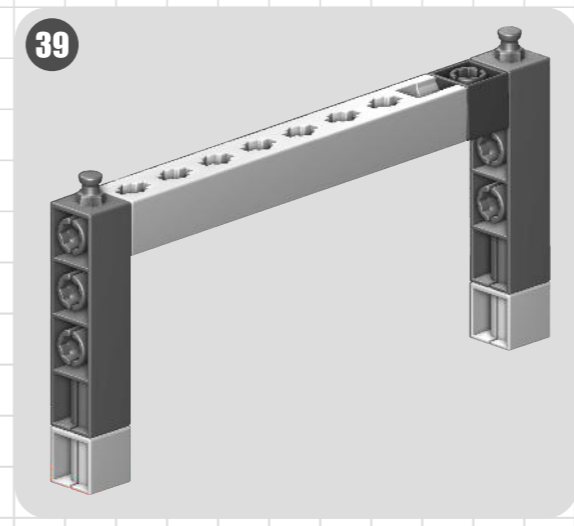
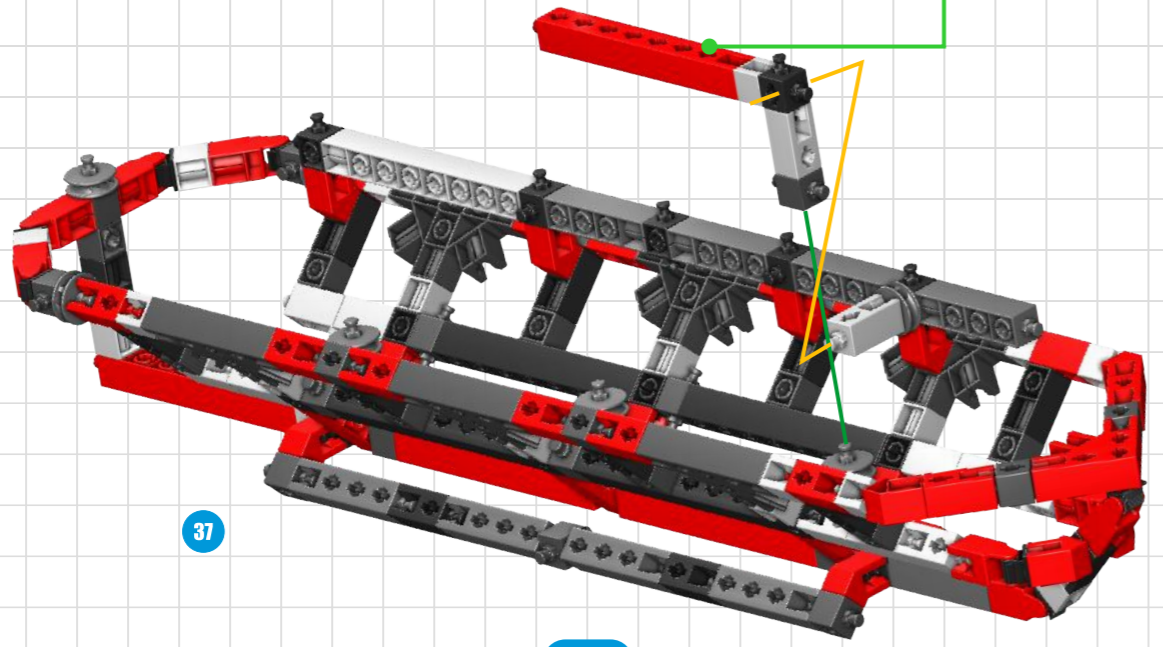
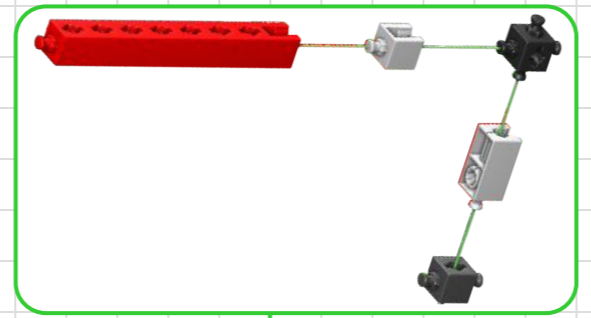
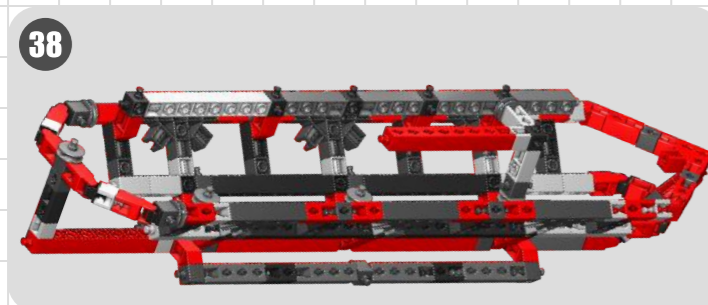
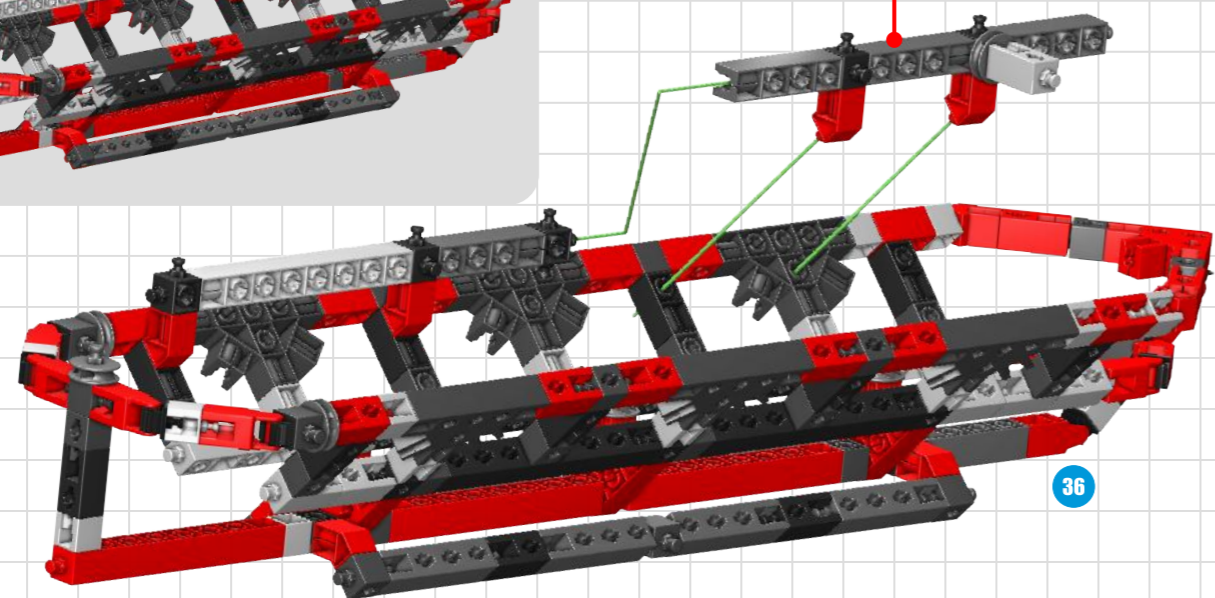
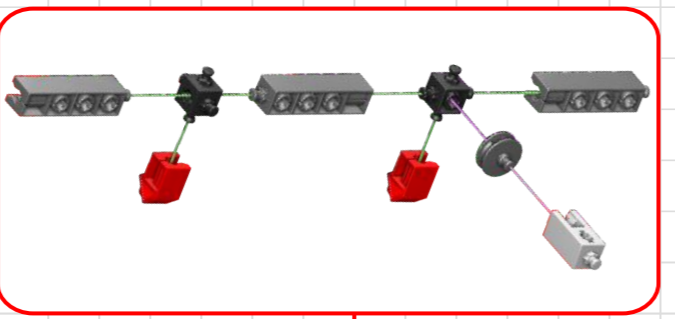
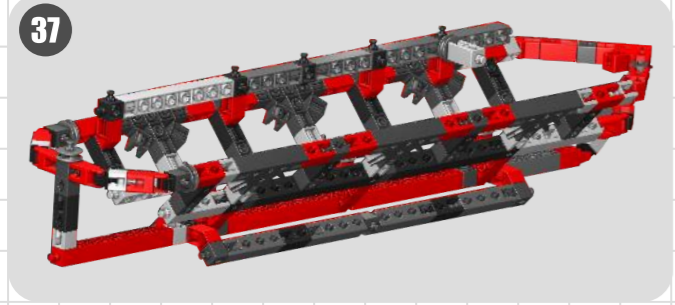
15



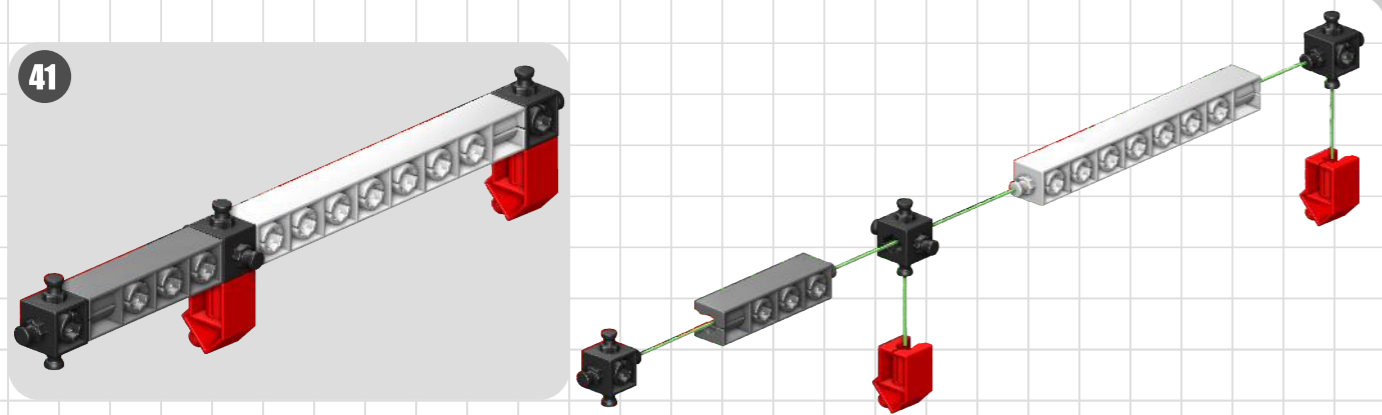
16



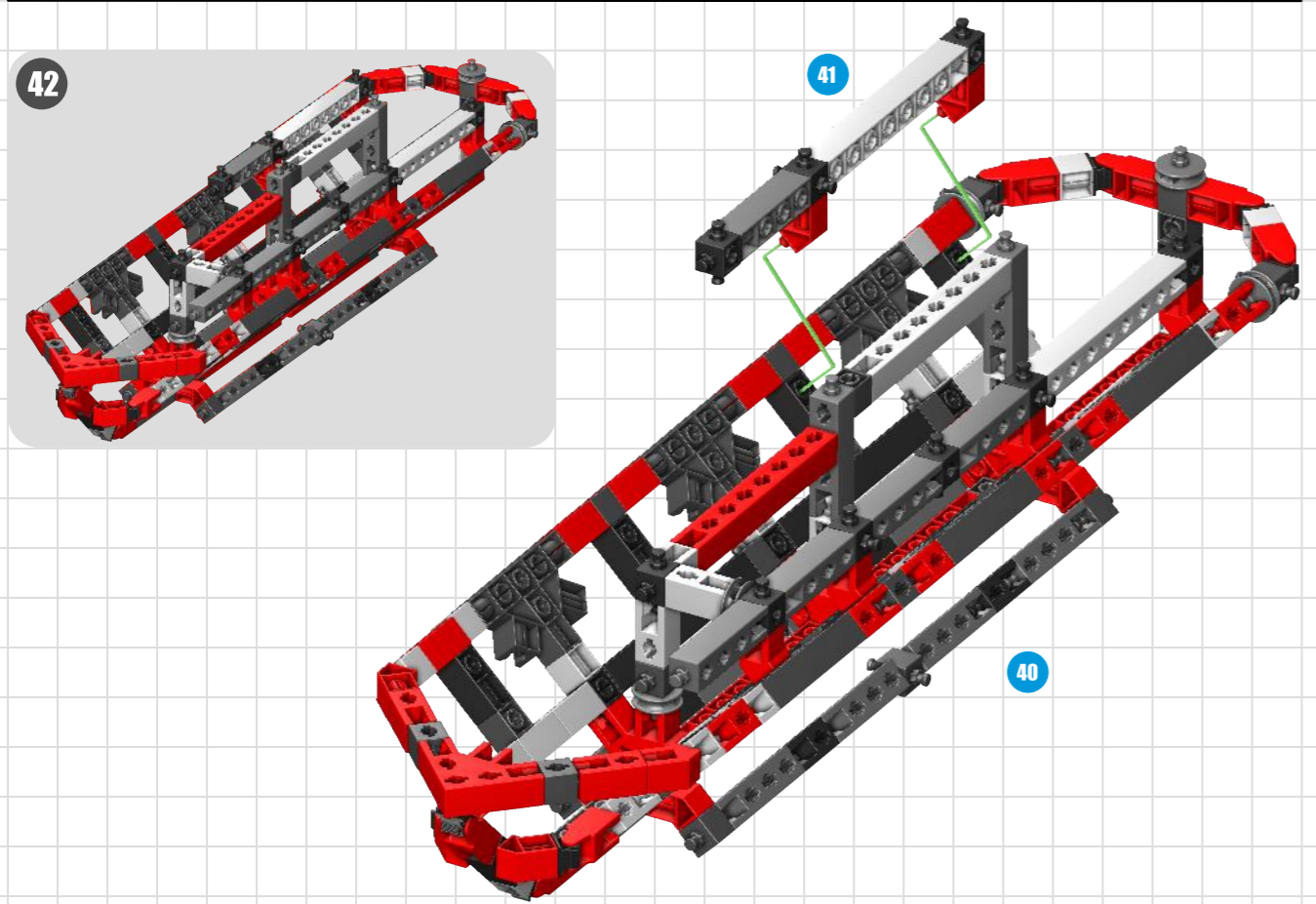




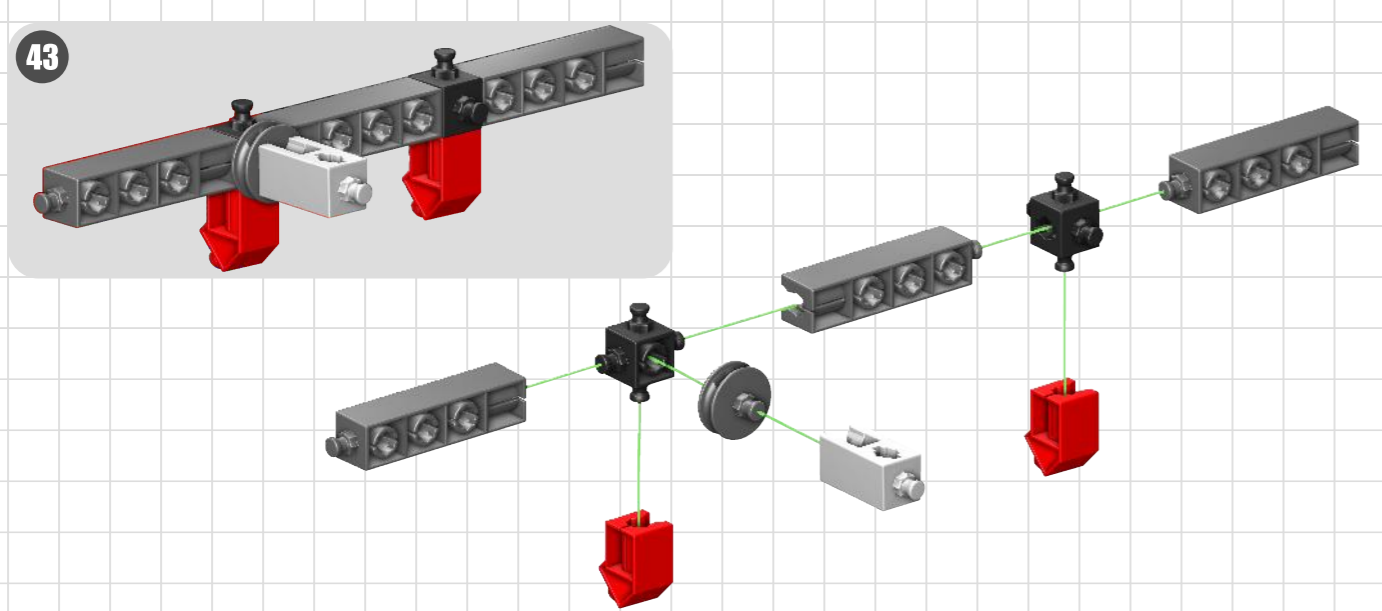
41



42

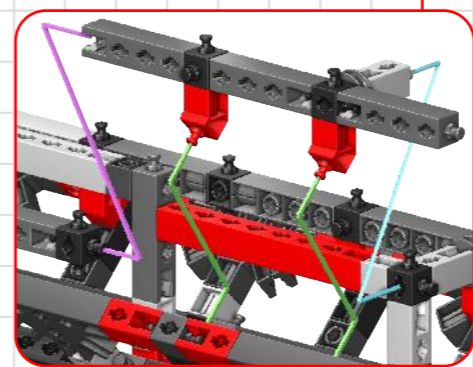
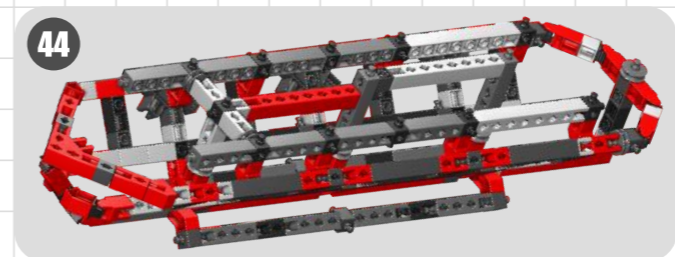


43

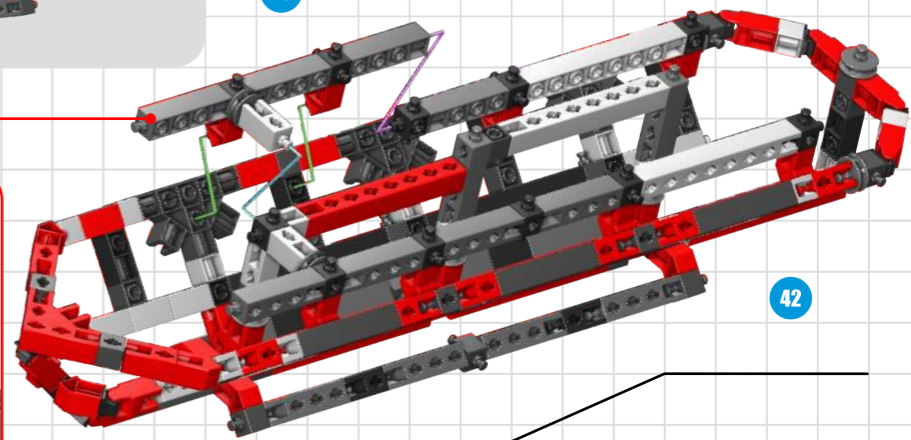


23

44

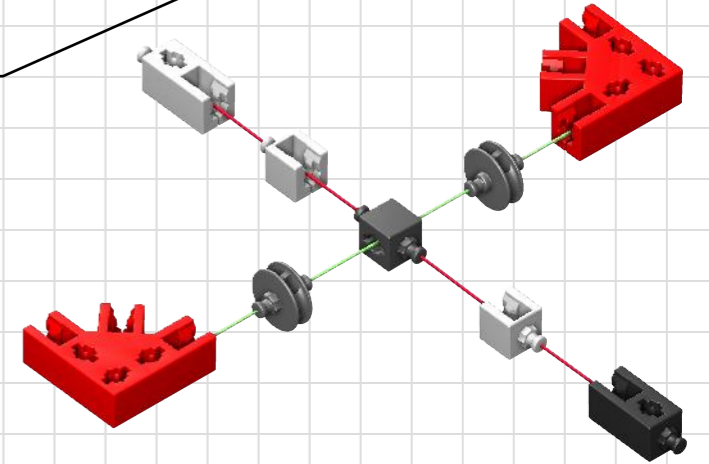
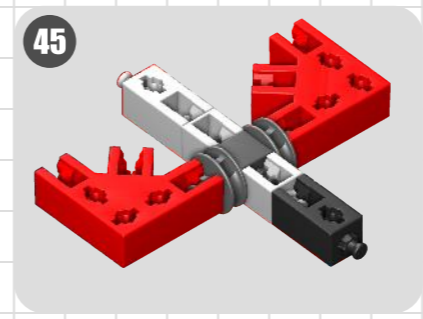


43

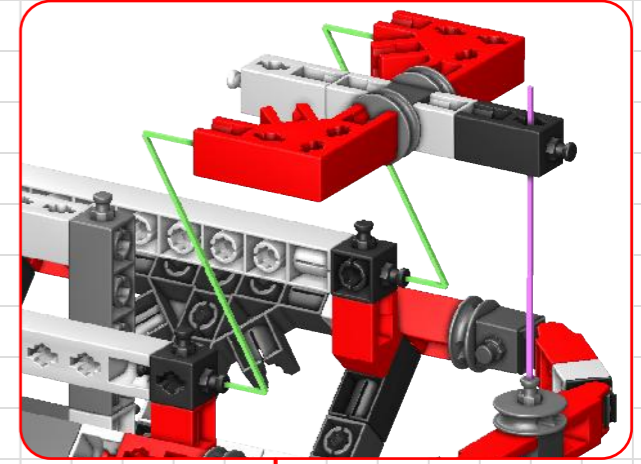
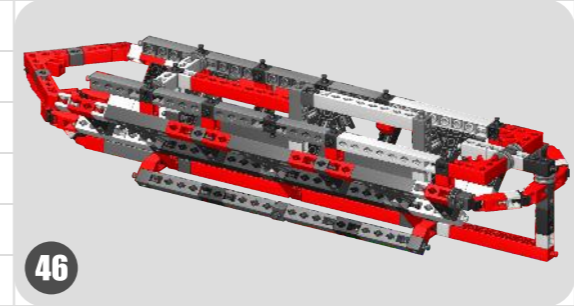


42

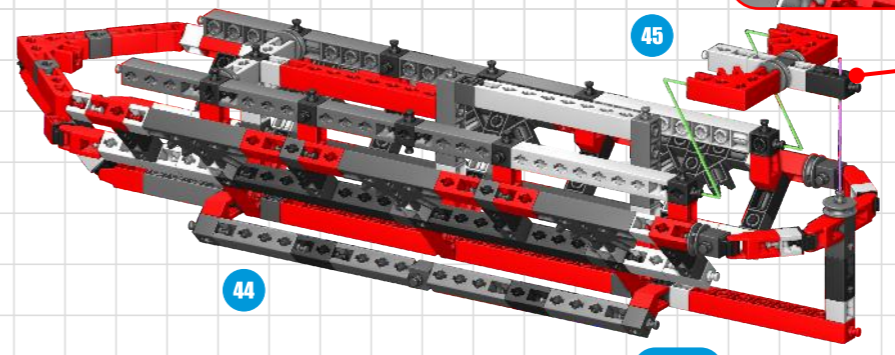
45



46



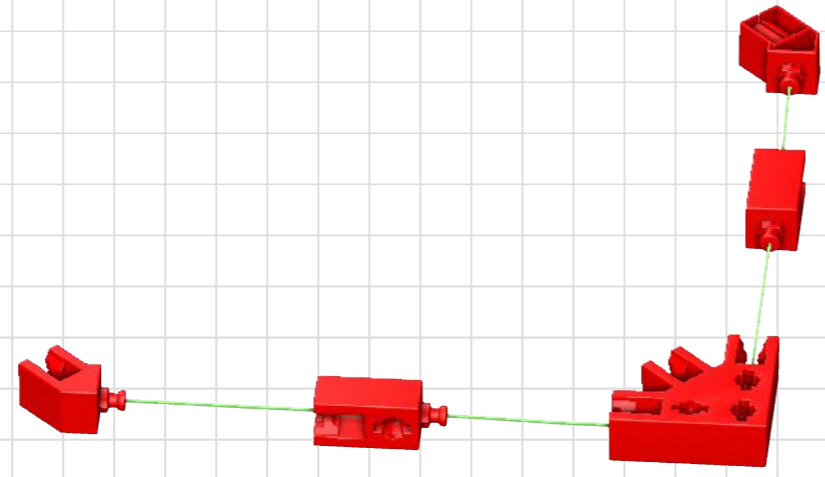
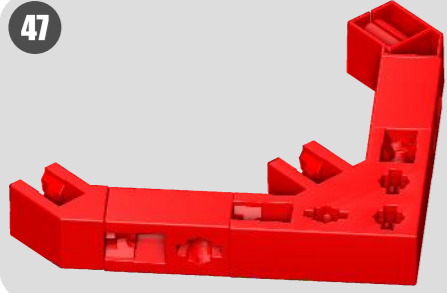
45



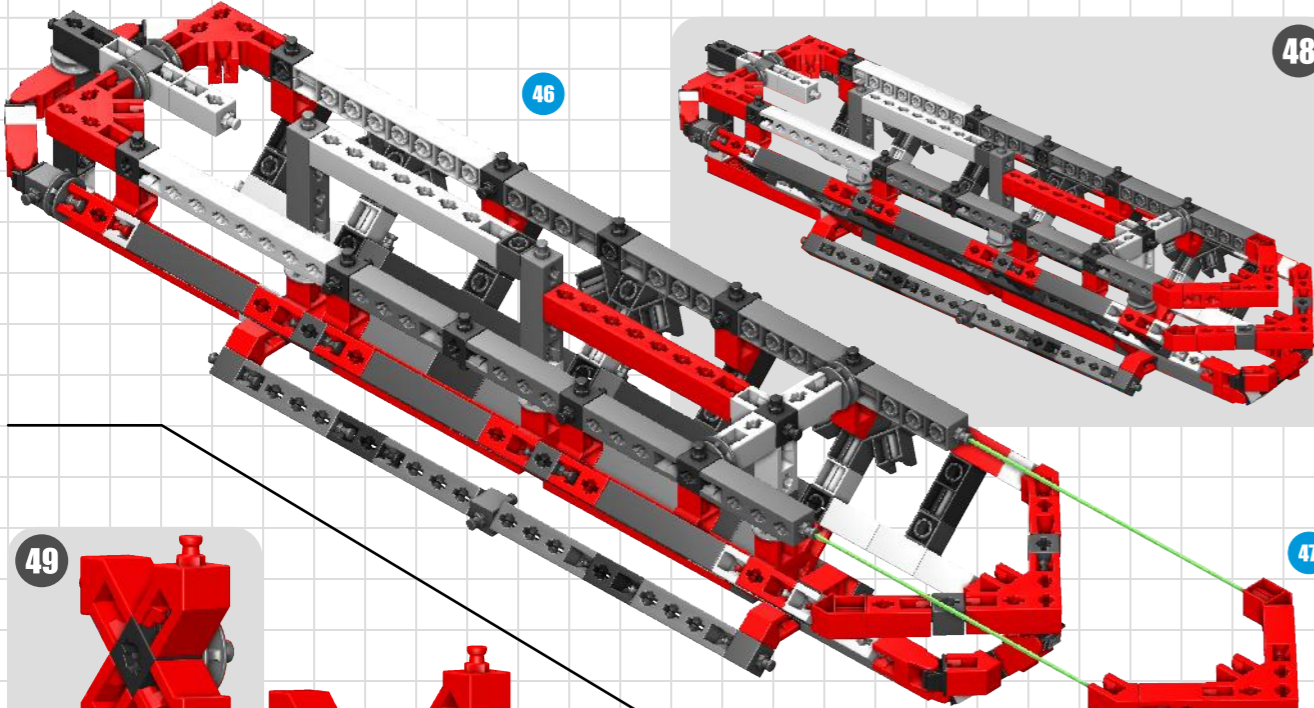
44

24

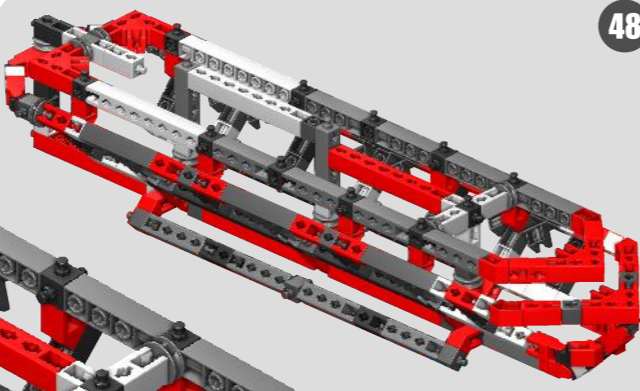
47



46

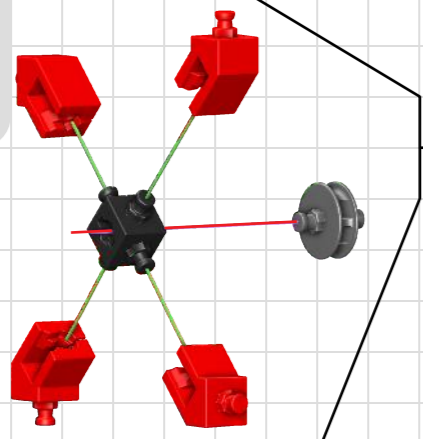


48

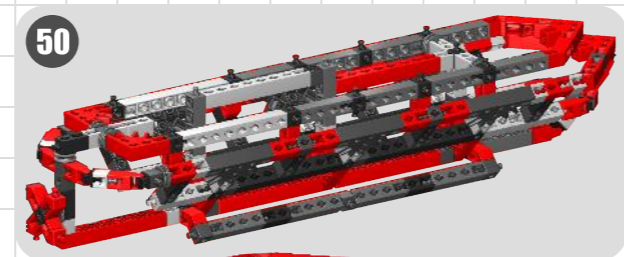


47

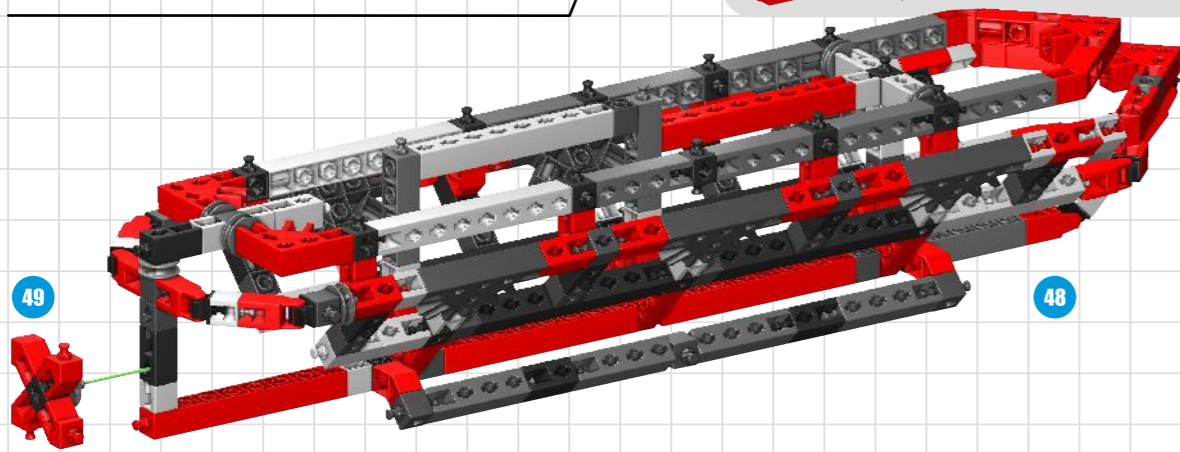
49



50



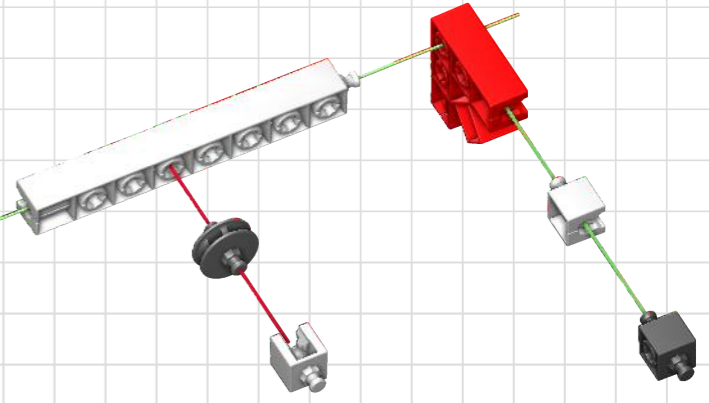
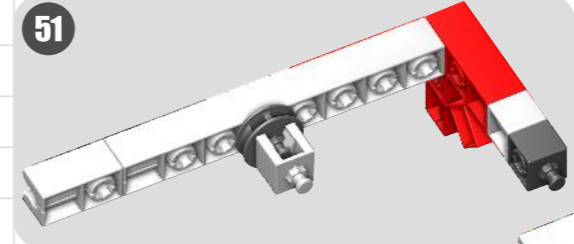
49



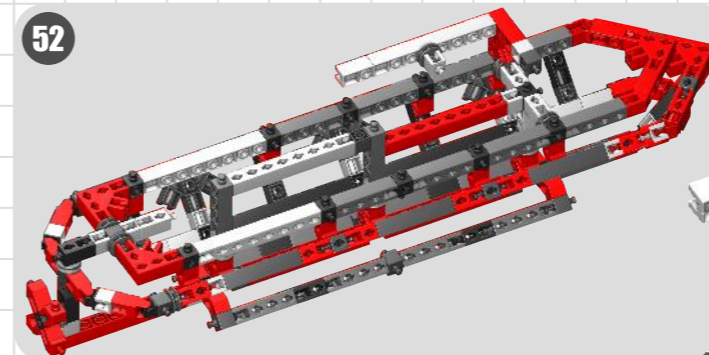
48

25

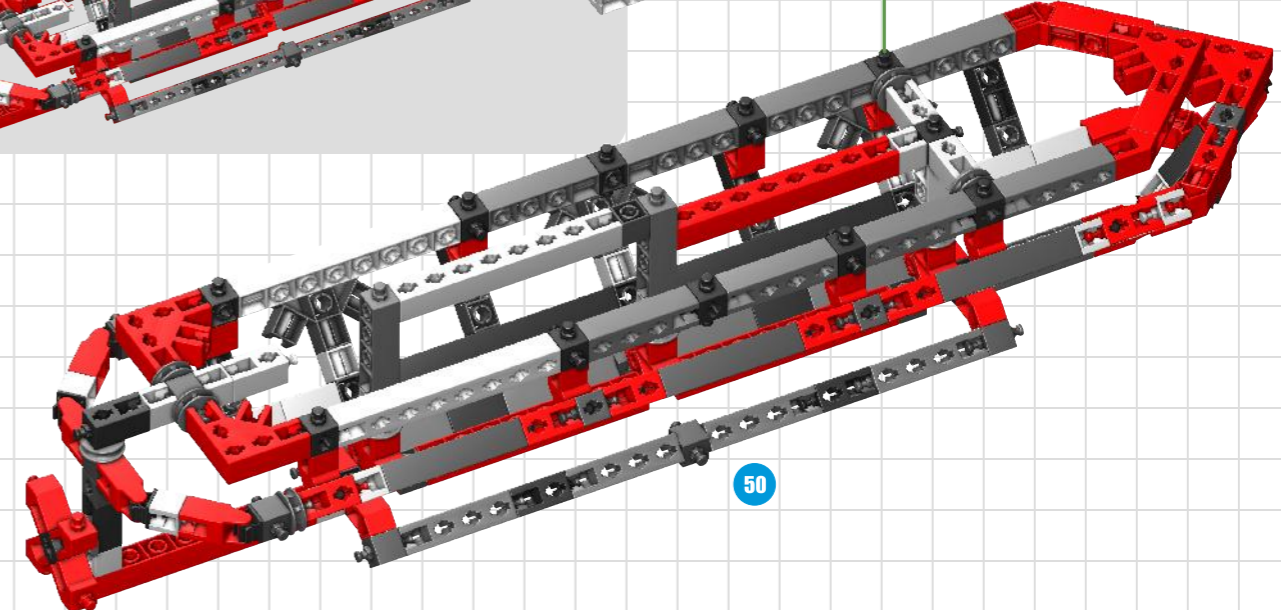
51



52

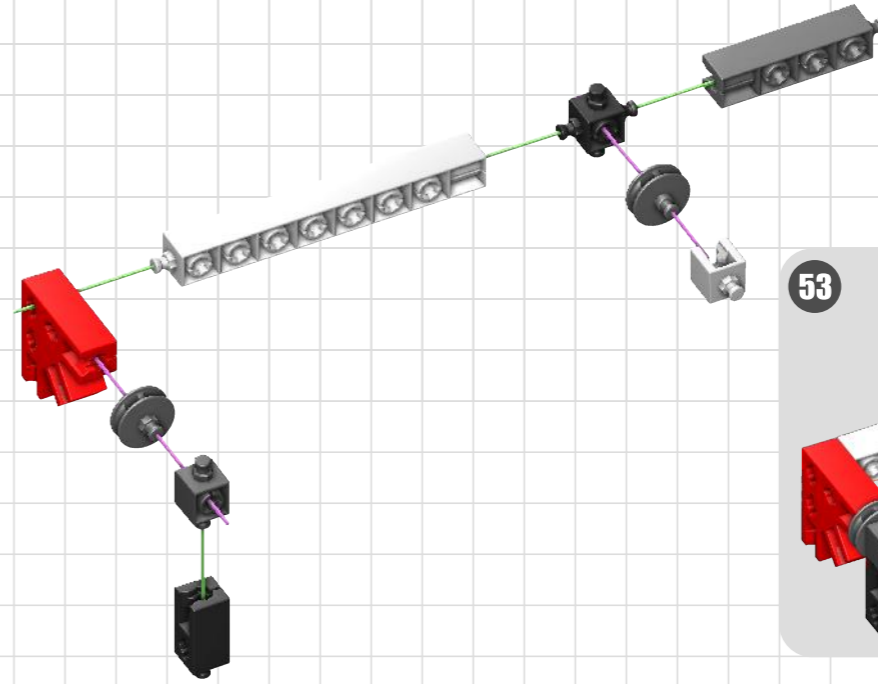
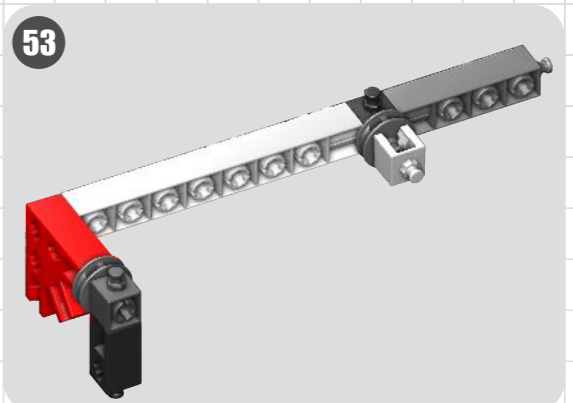


51



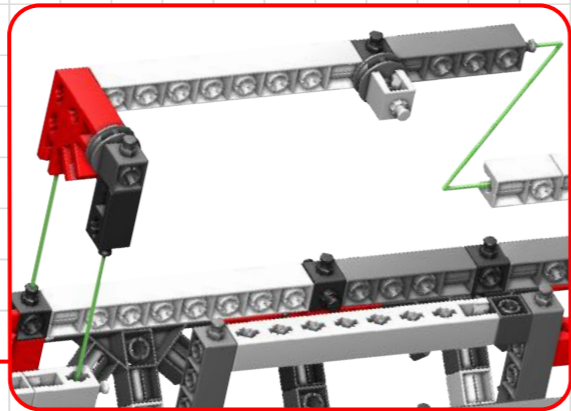
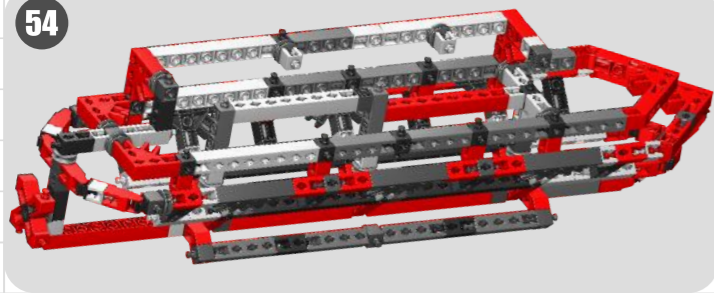
50

53

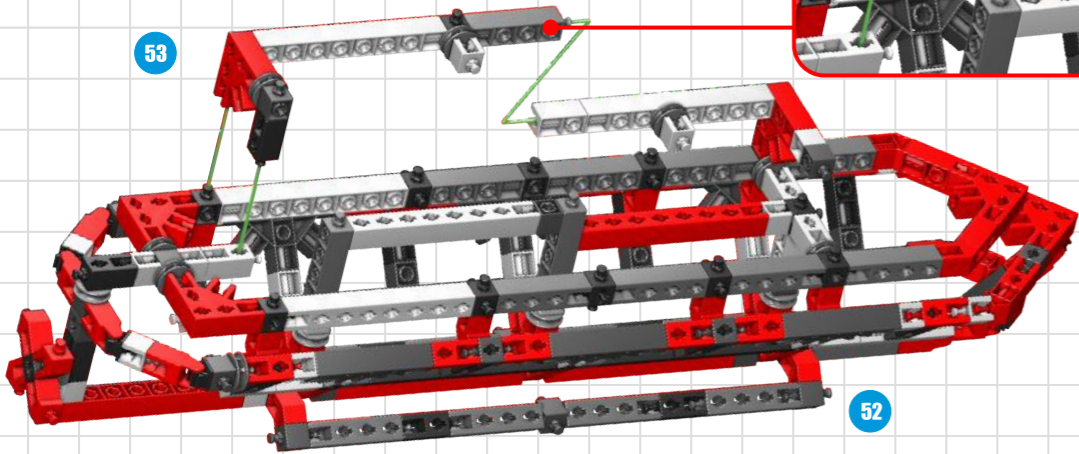


26

54

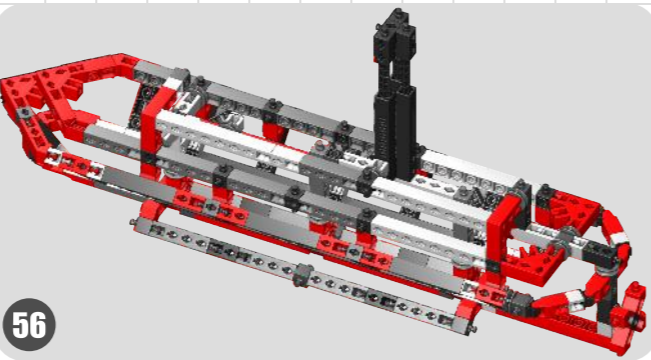
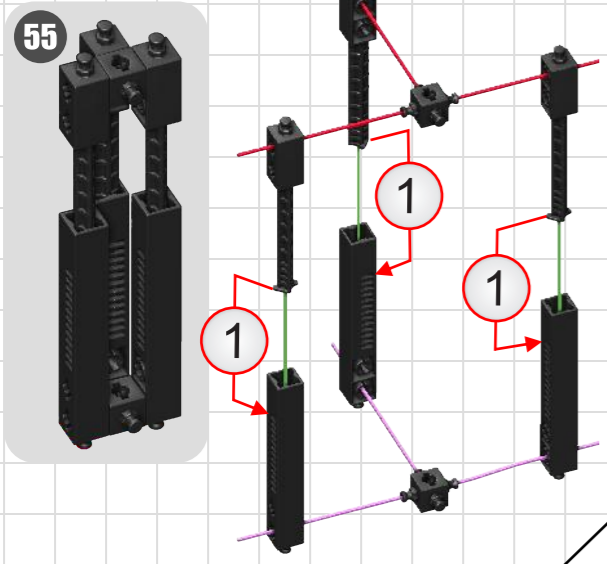


53



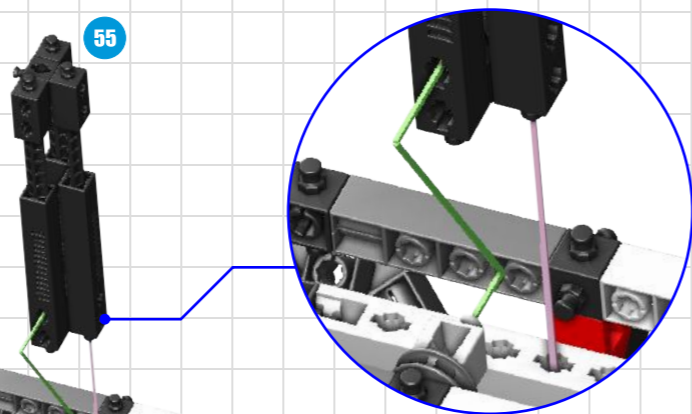
52

55

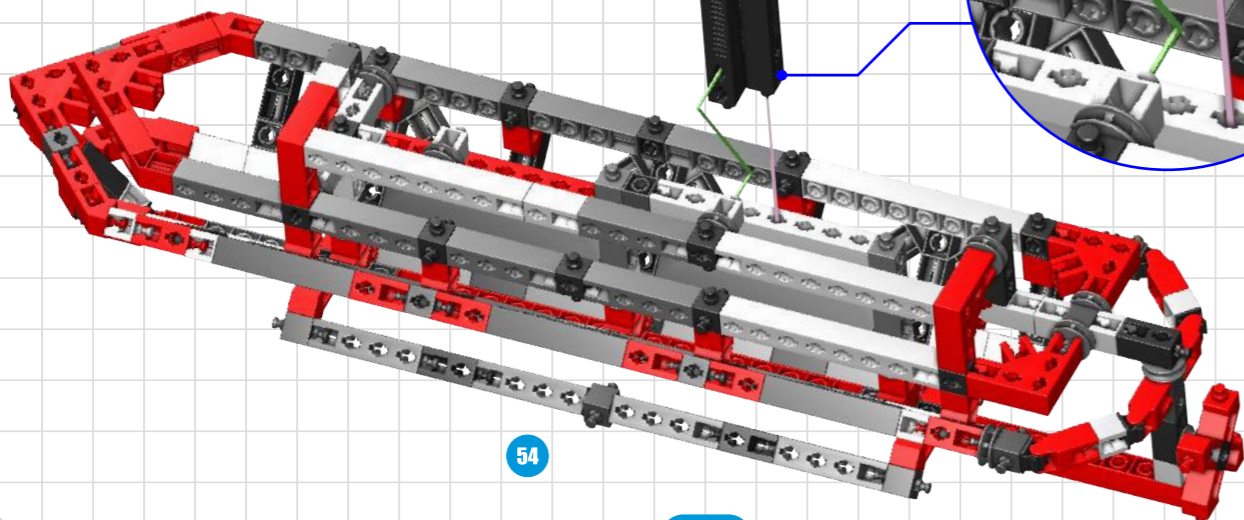


56

55

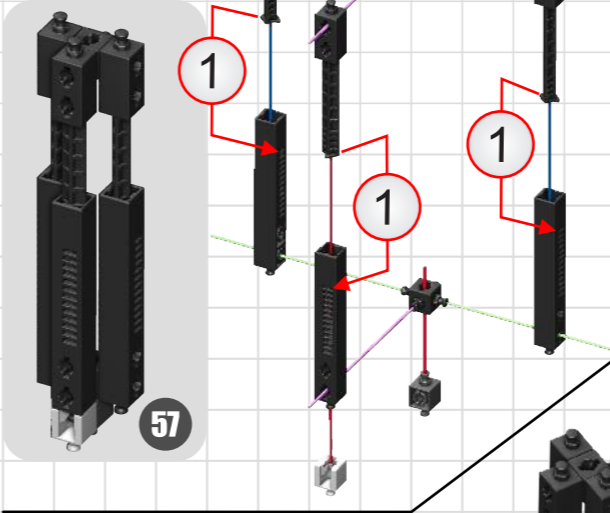
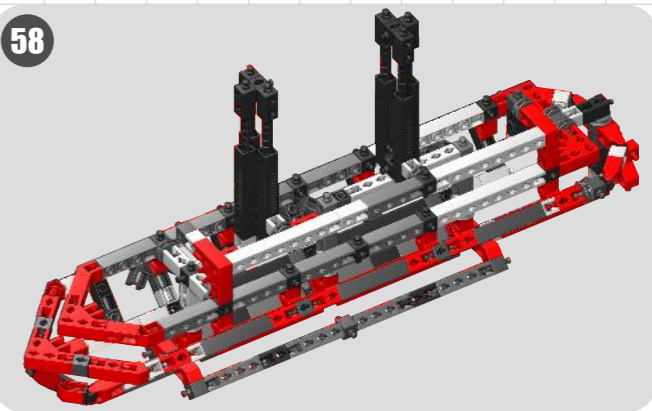


54



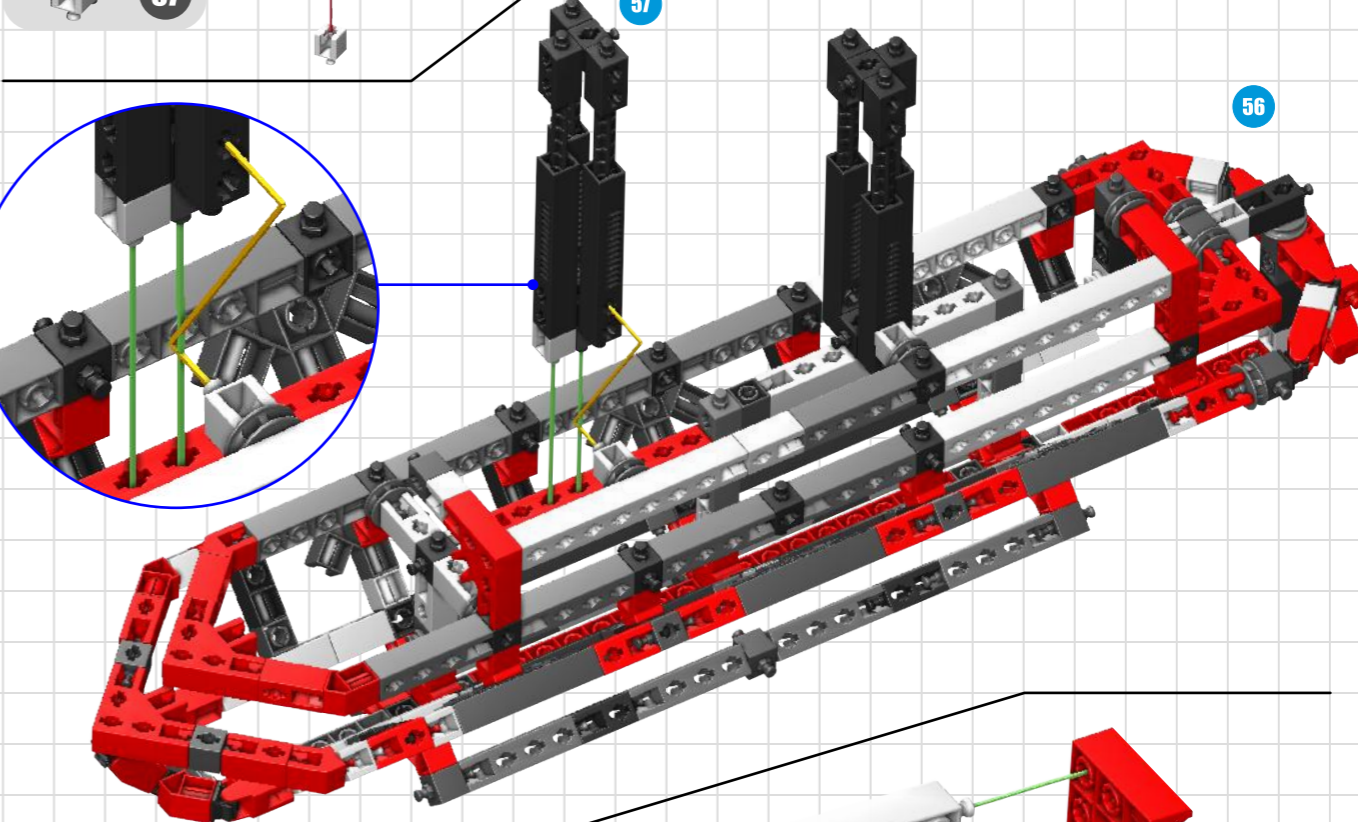
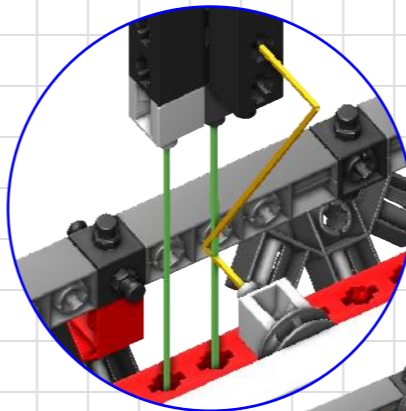
27

58

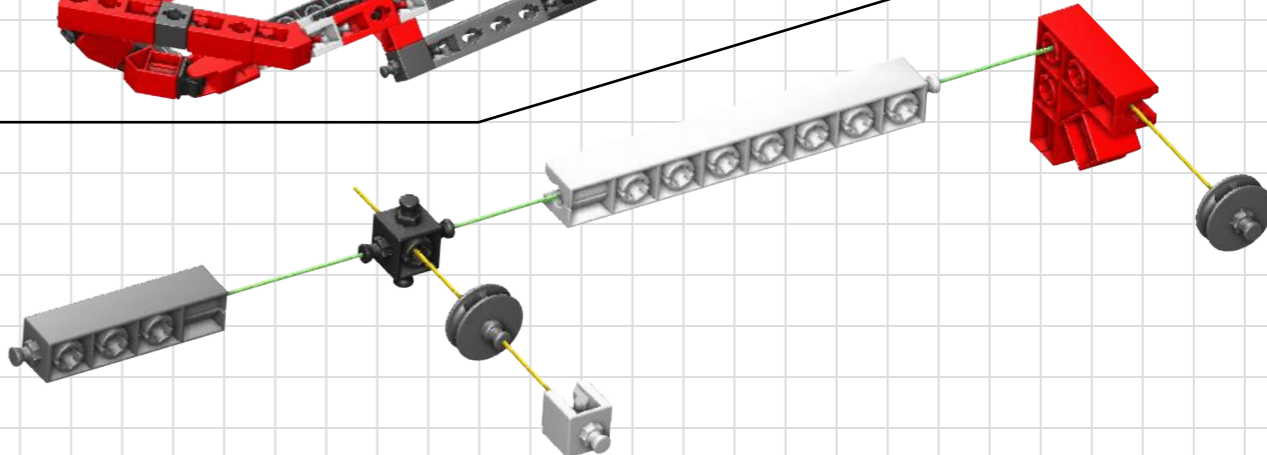


57

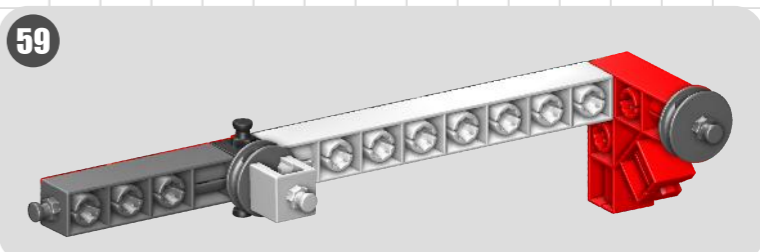
57



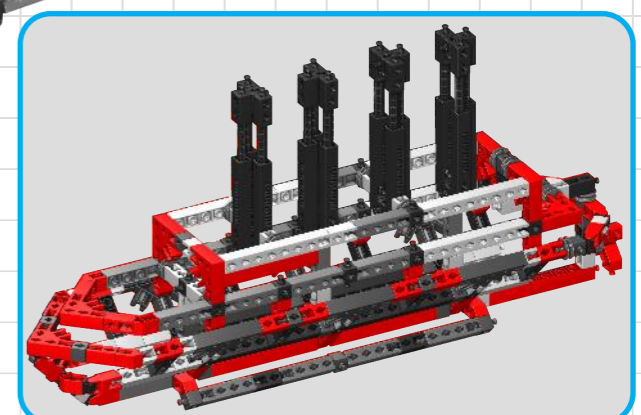
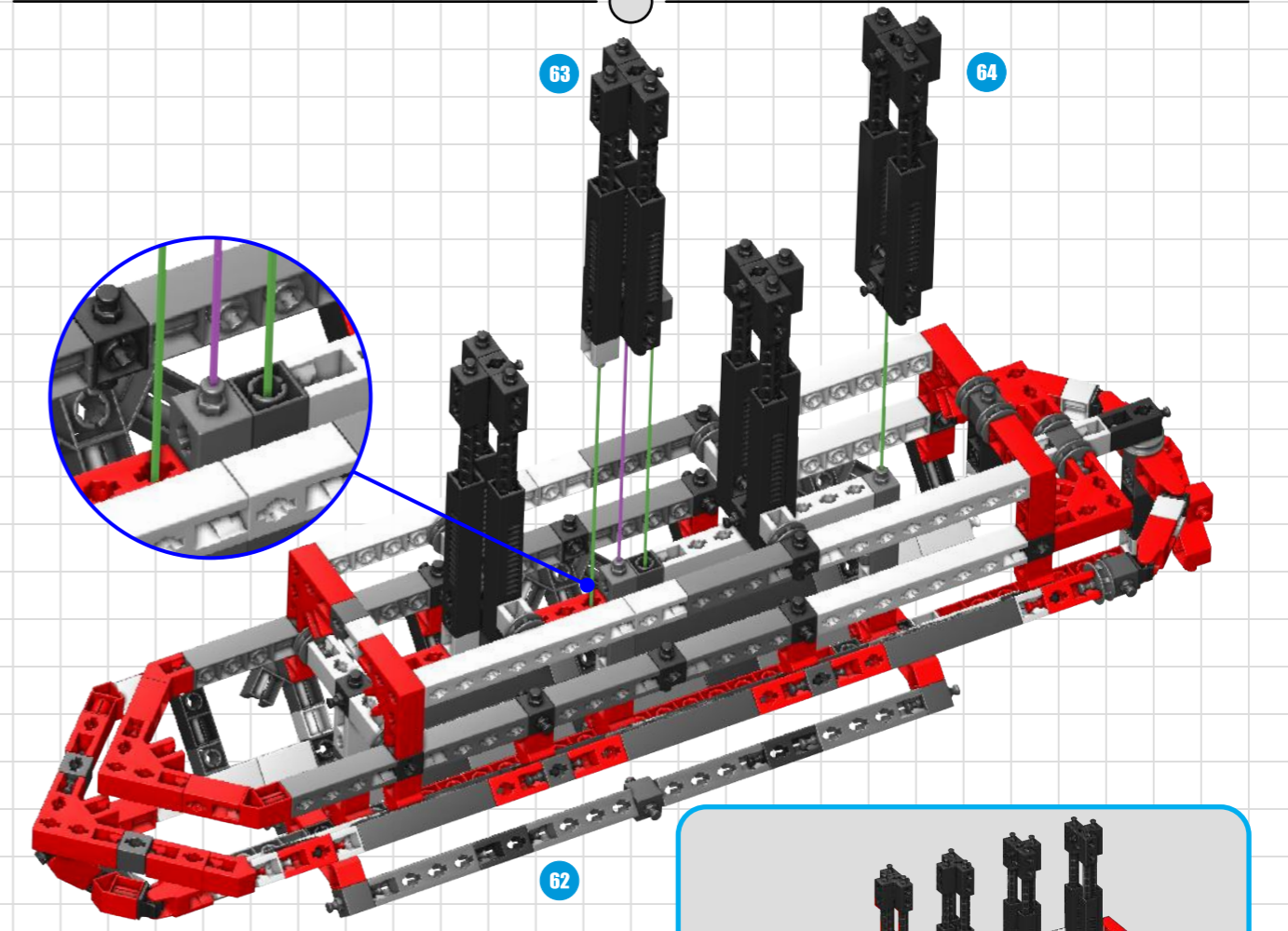
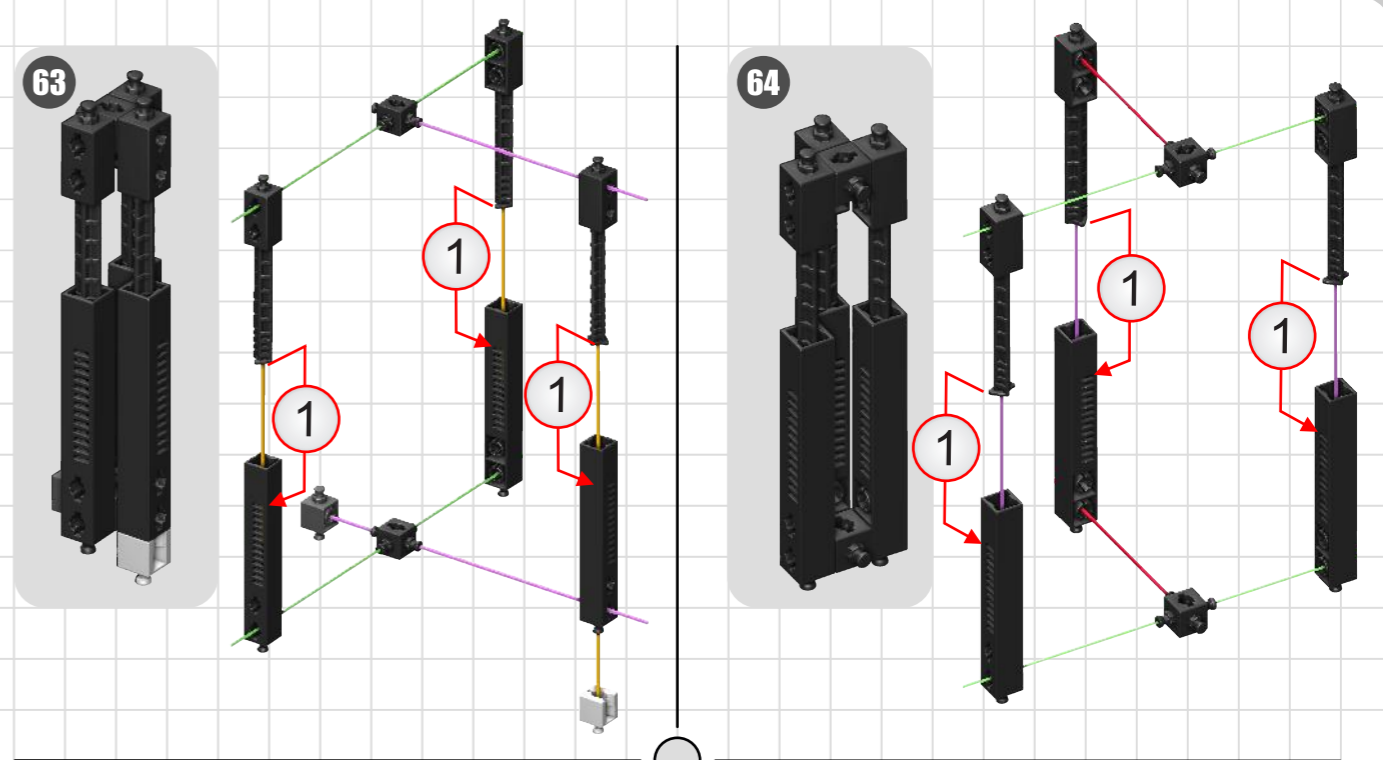
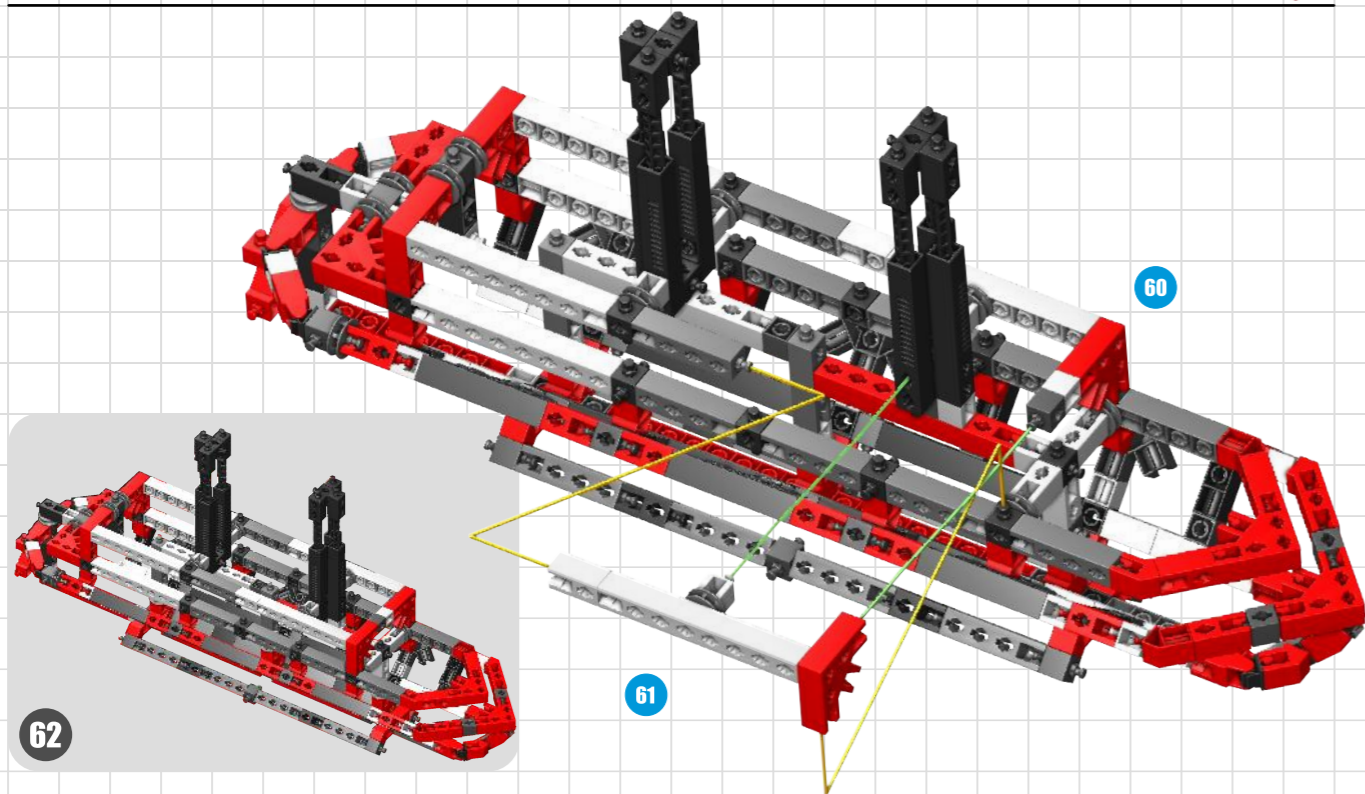
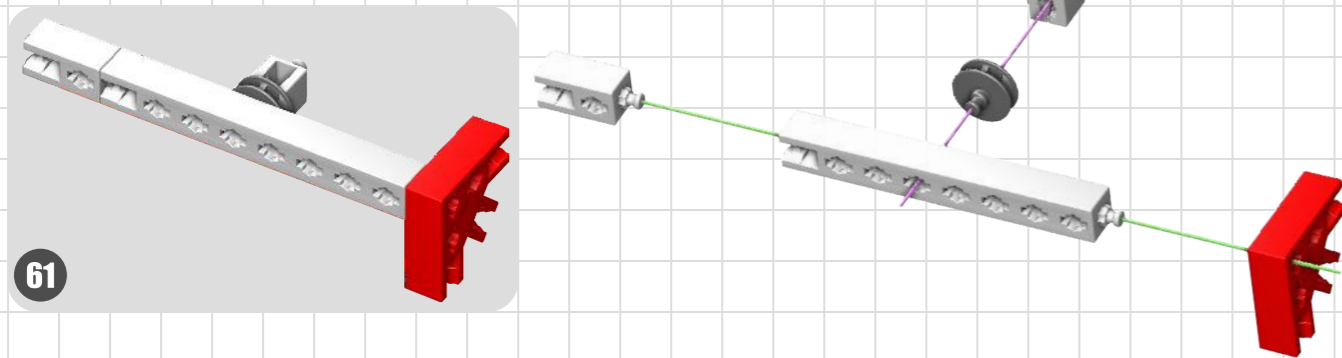
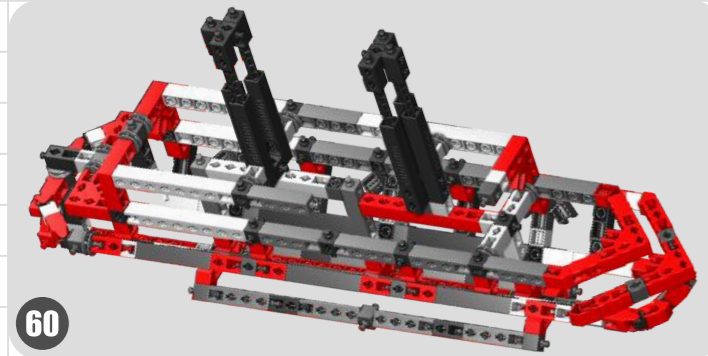
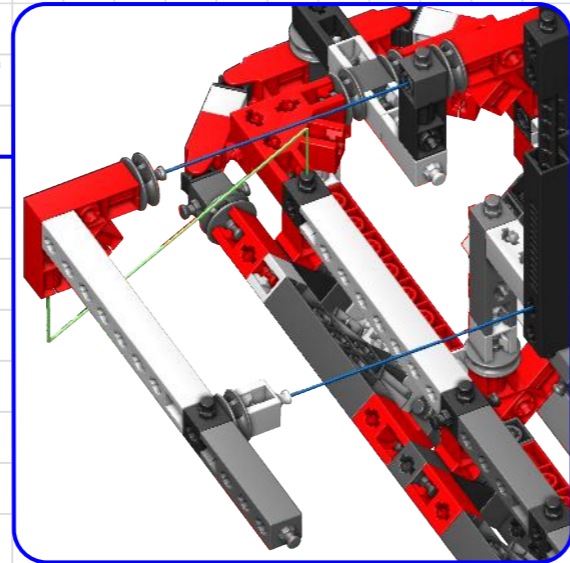
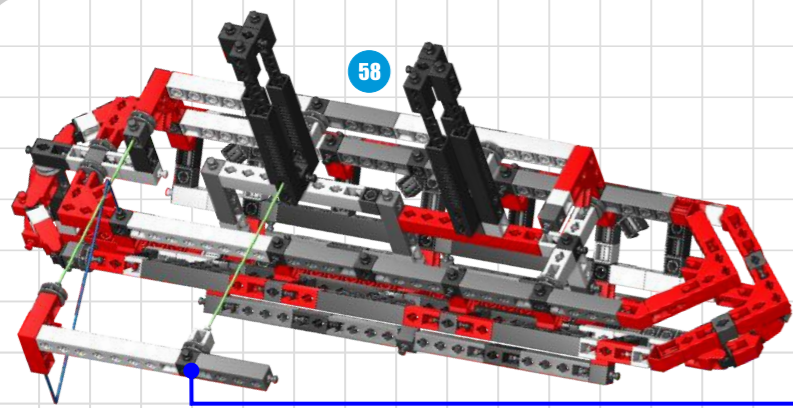
56

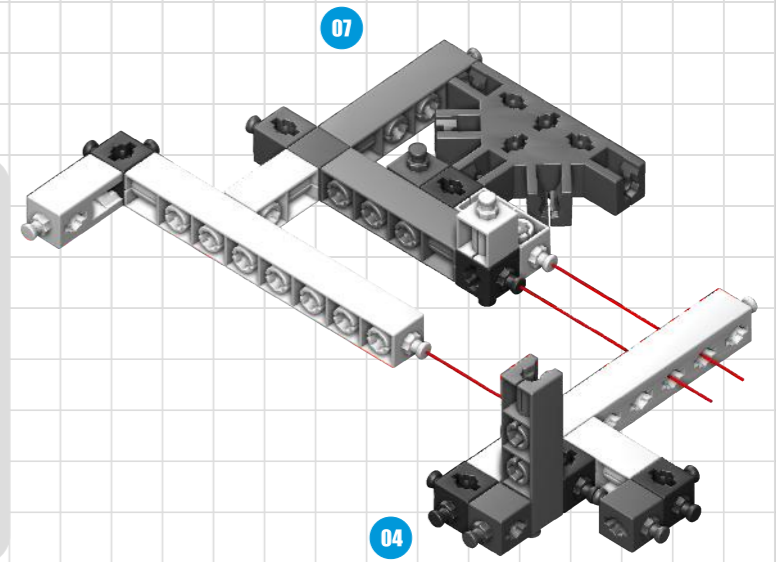
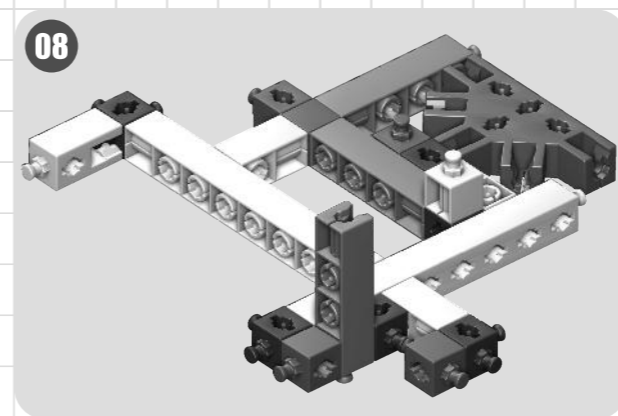
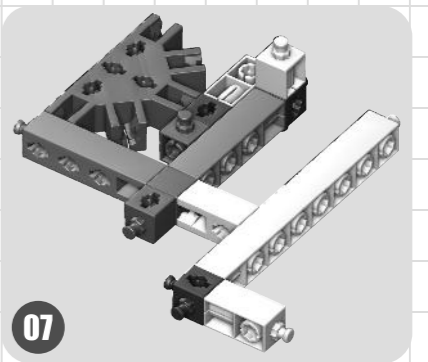
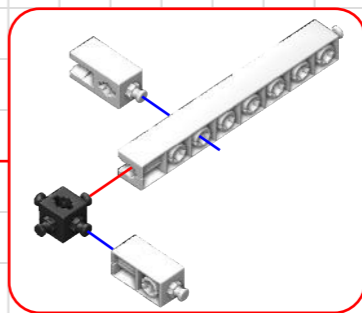
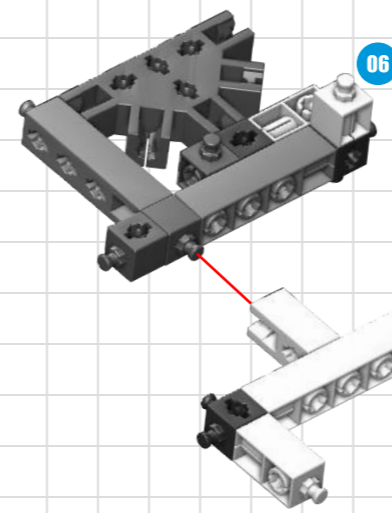
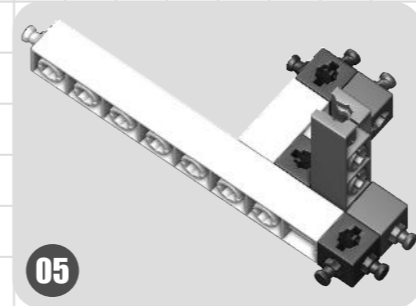
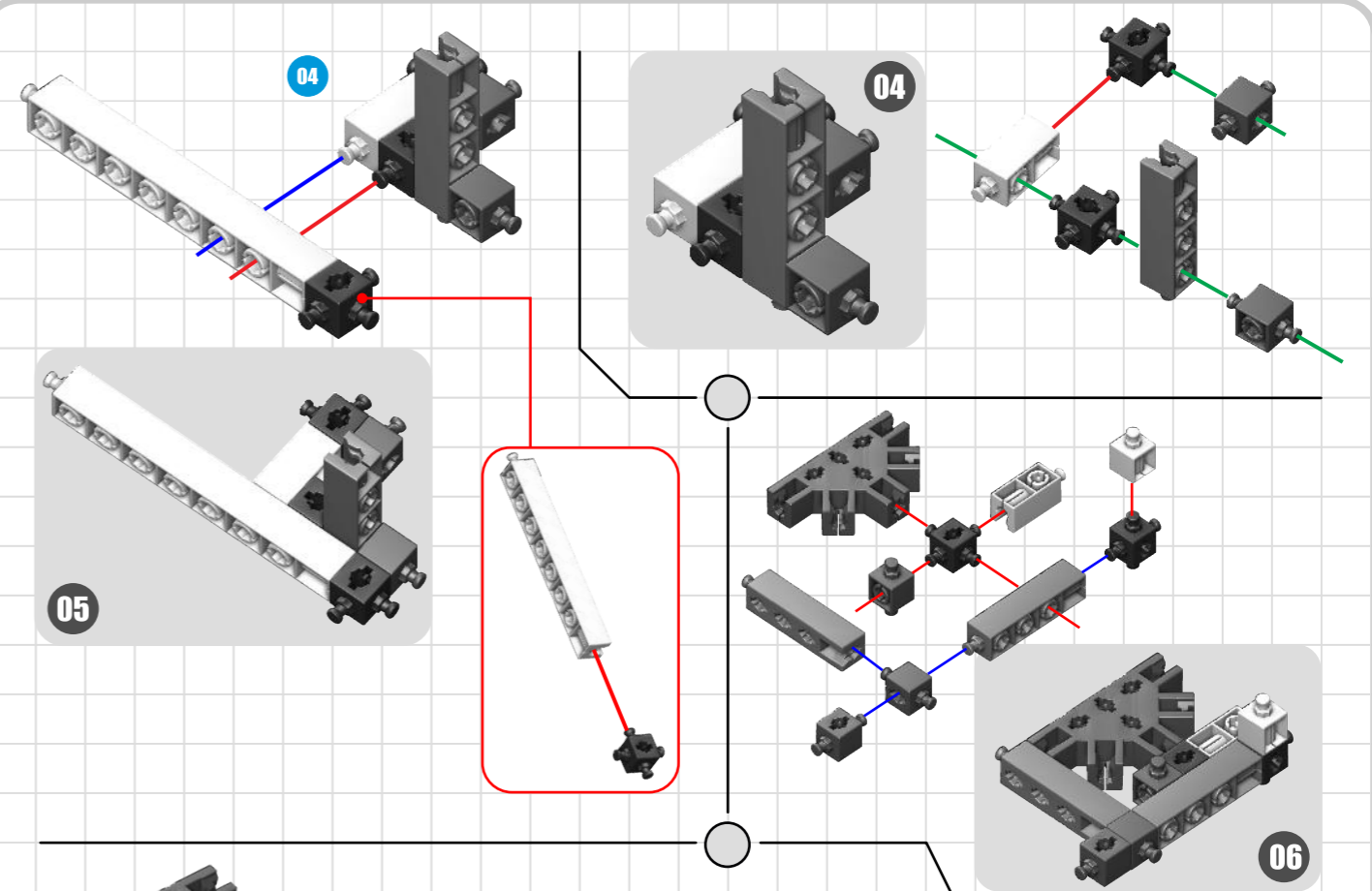
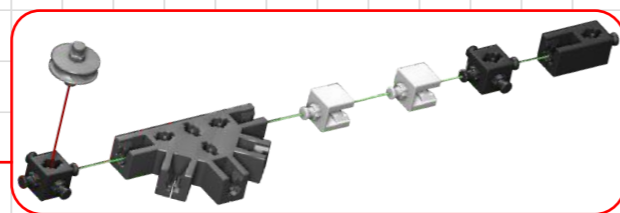
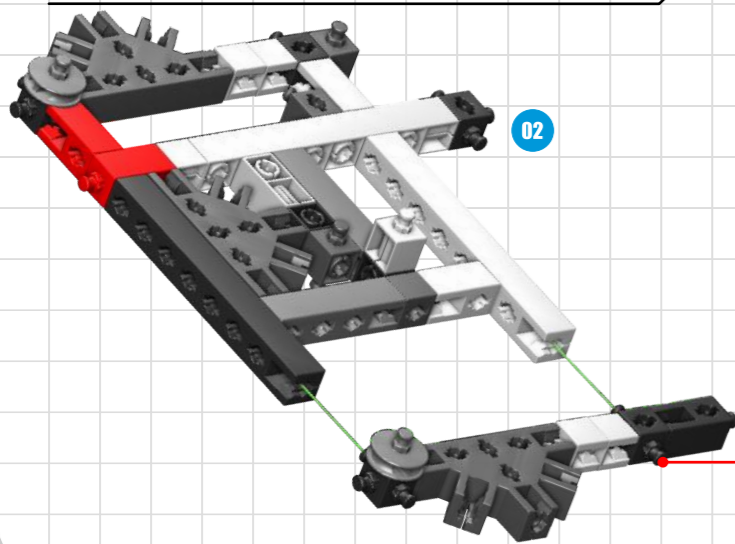
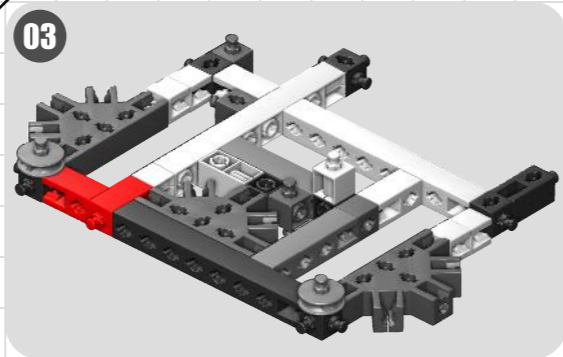
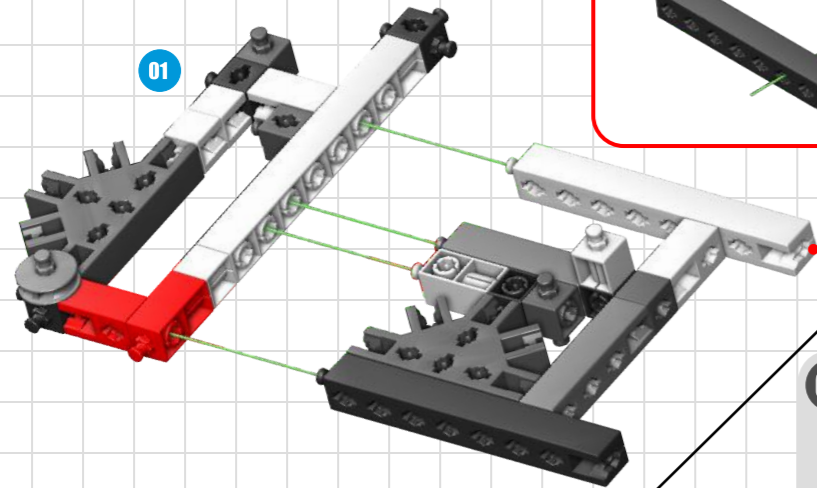
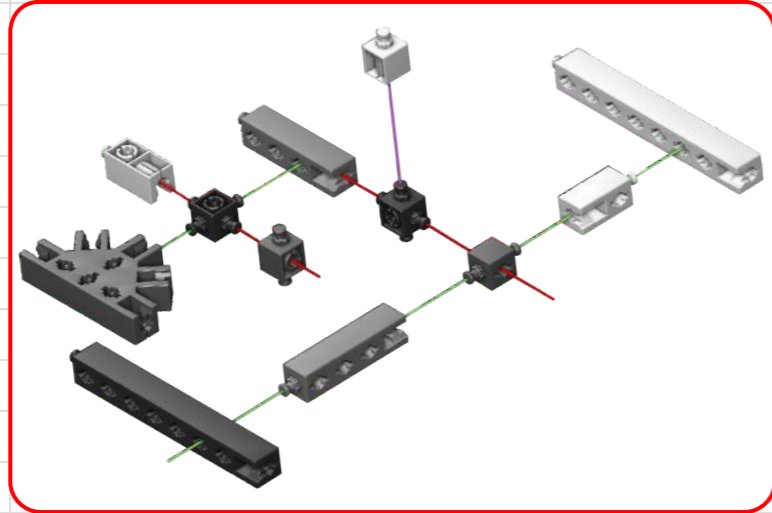
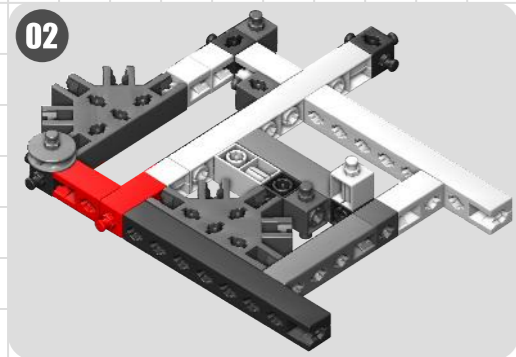
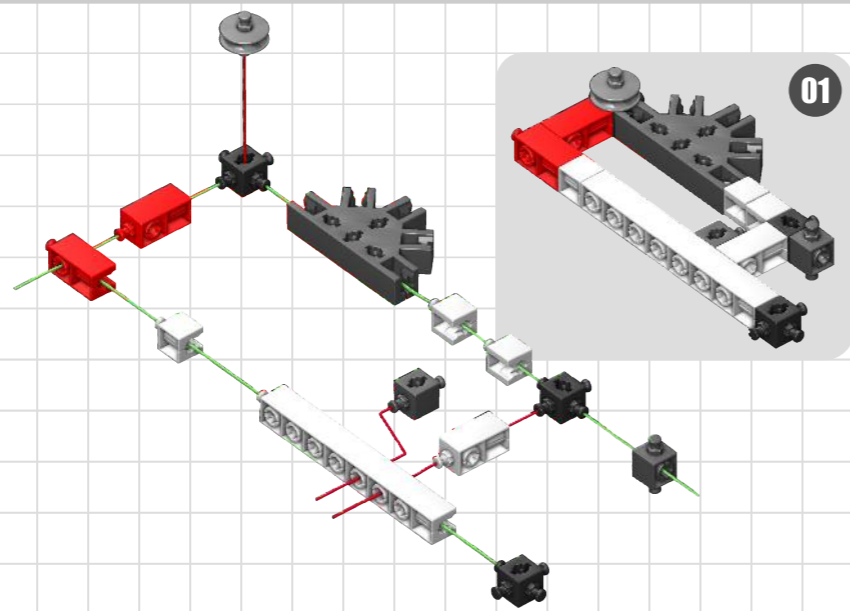
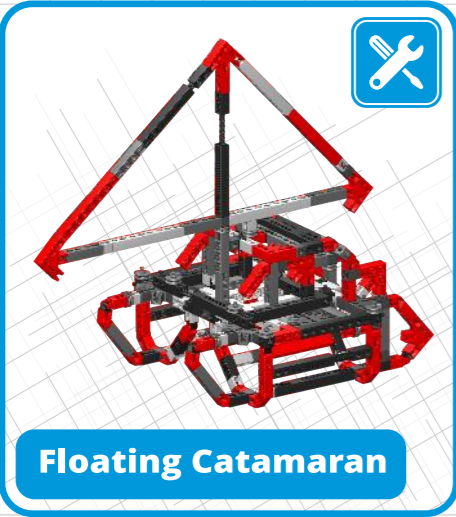


59

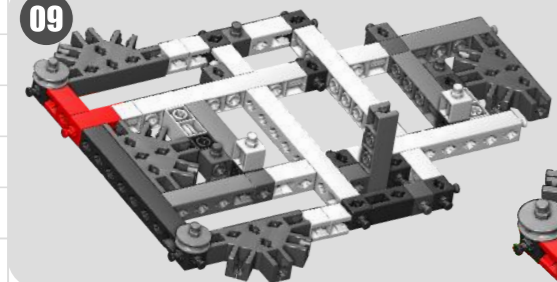


28

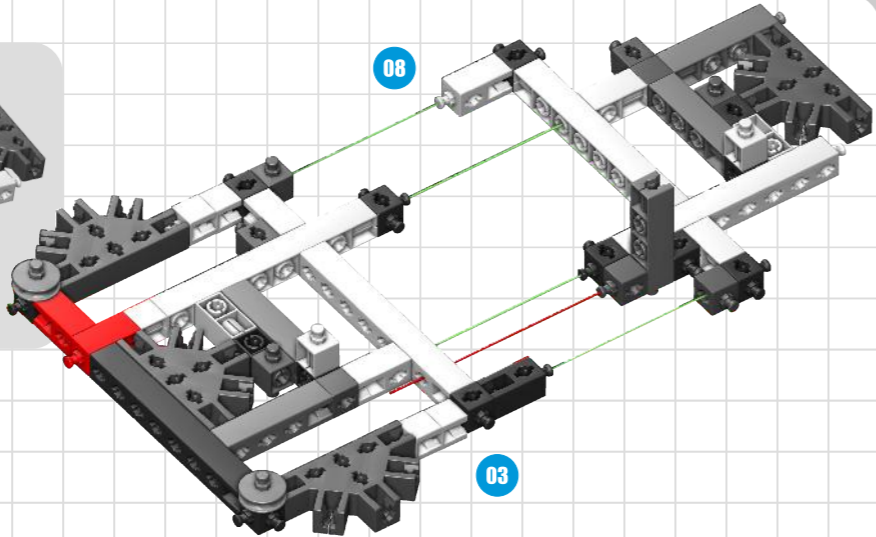




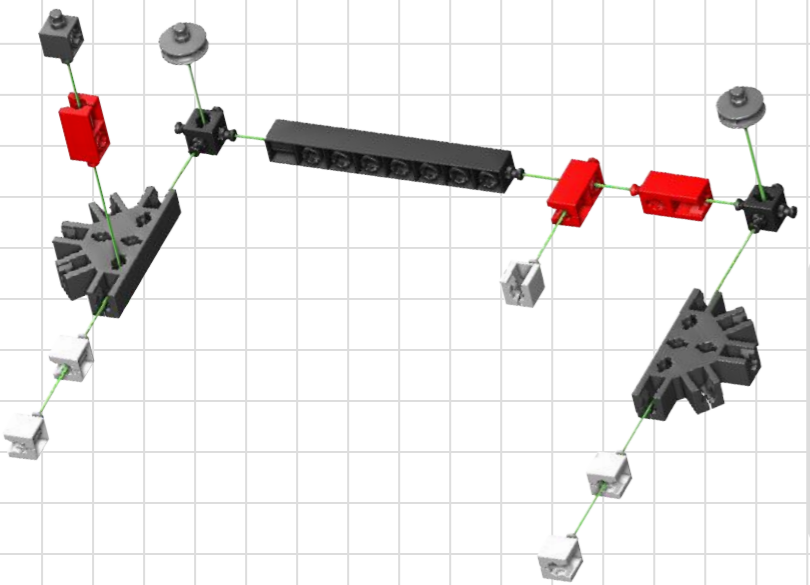
09



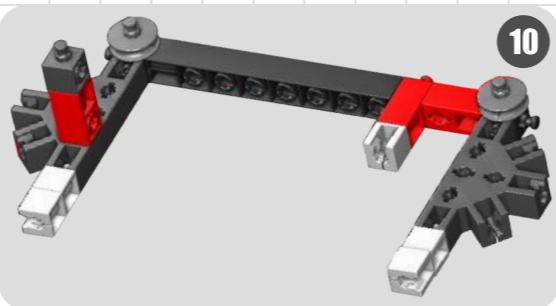
08



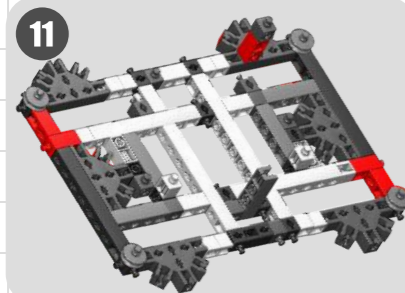
03



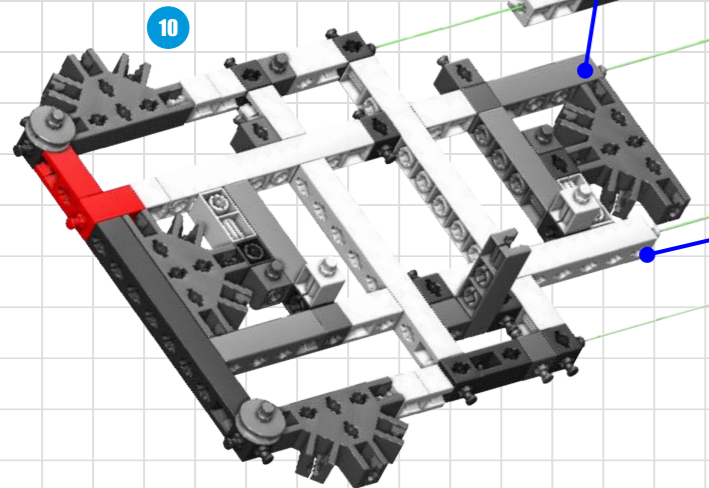
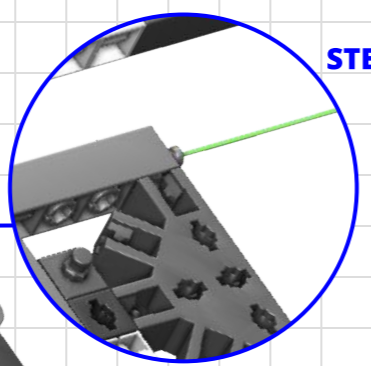
10



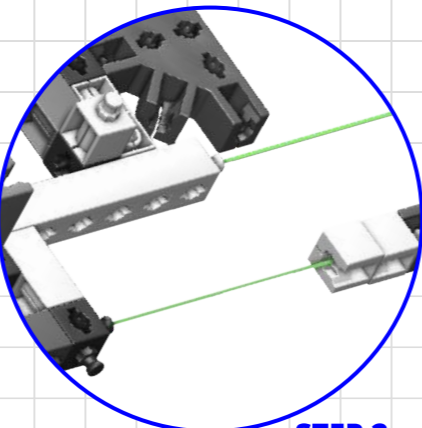
11



STEP 1



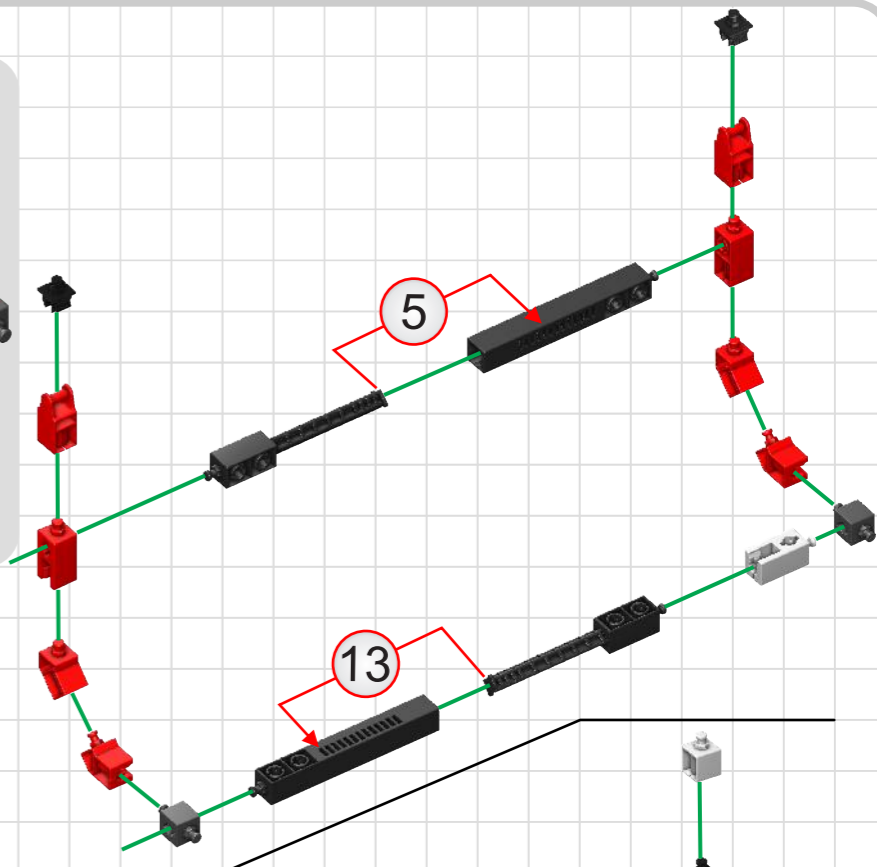
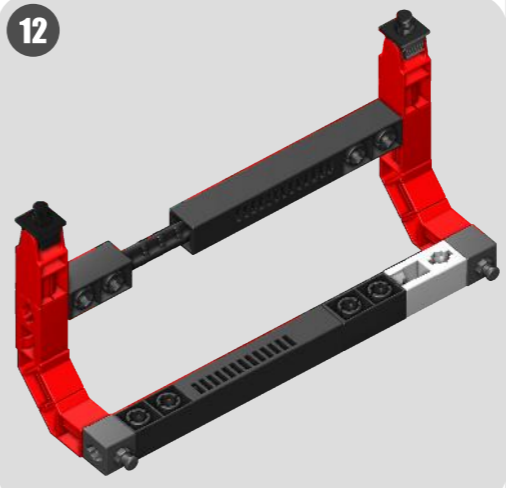
09



STEP 2

33

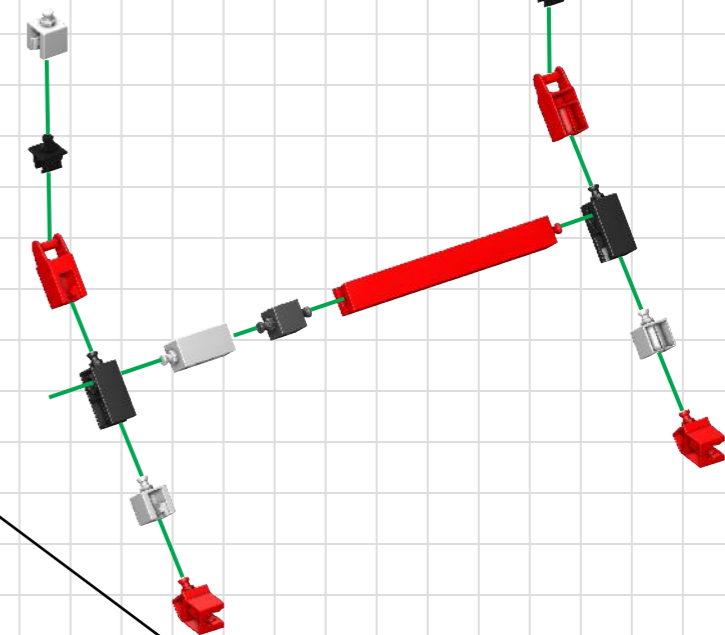
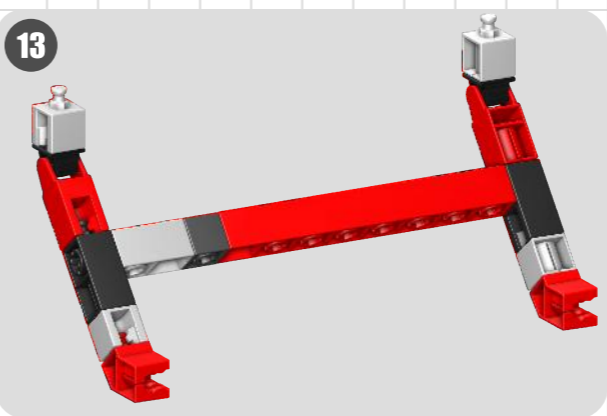
12



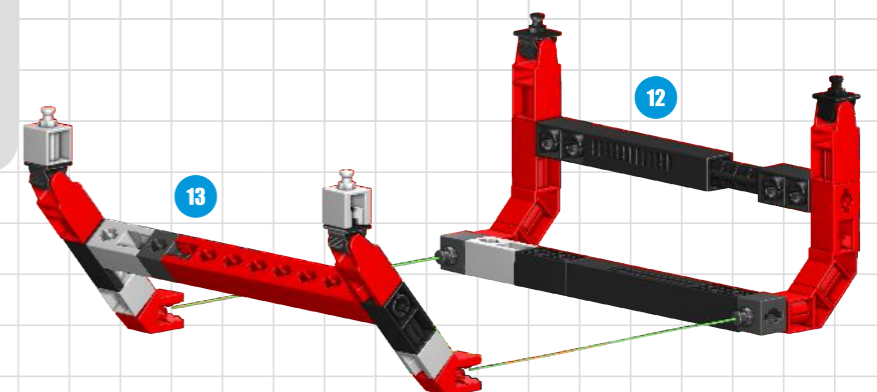
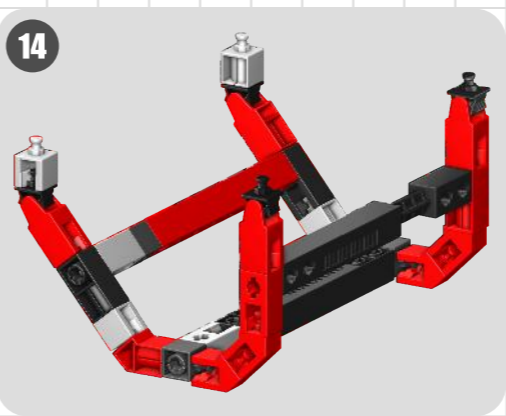
5

13

13



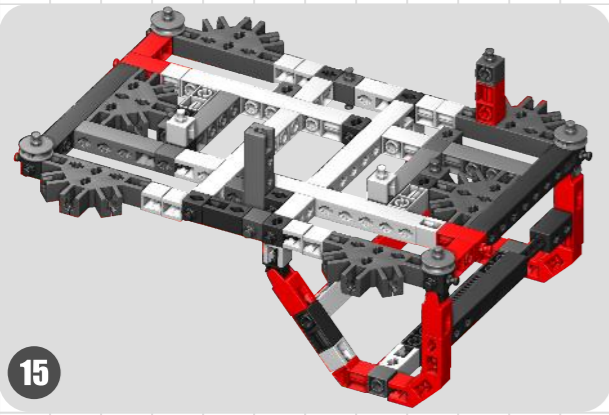
14



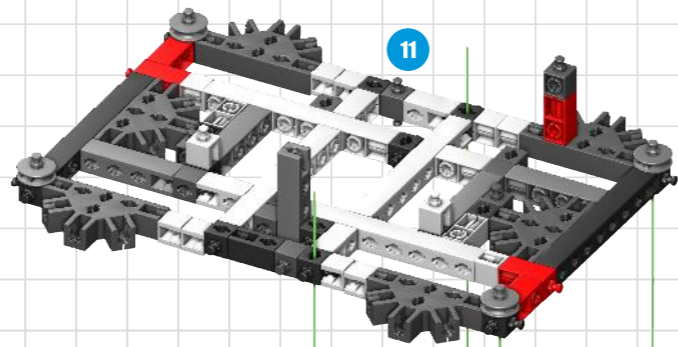
13

12

34



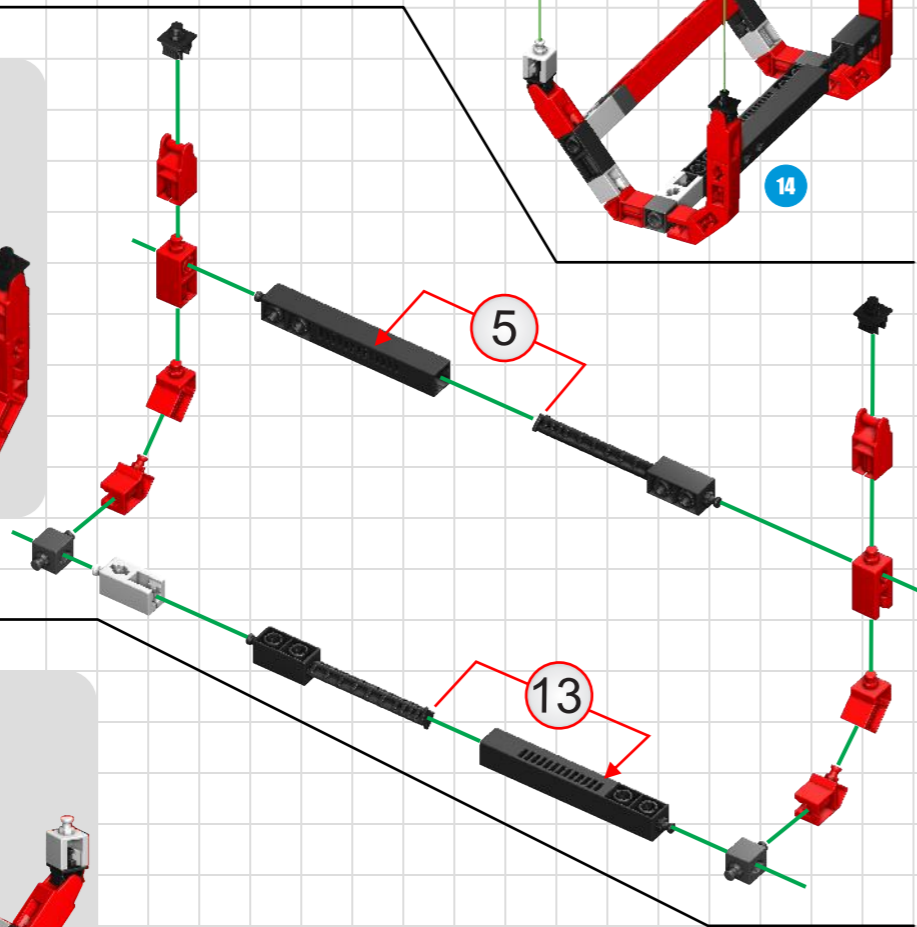
15



11

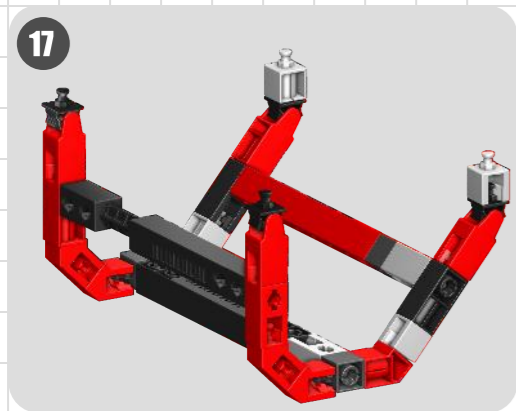


16

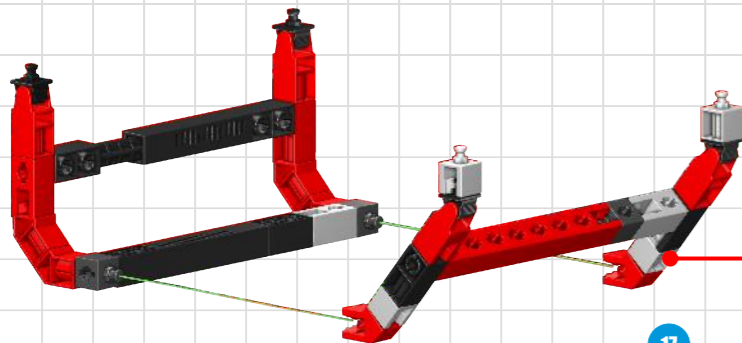


5

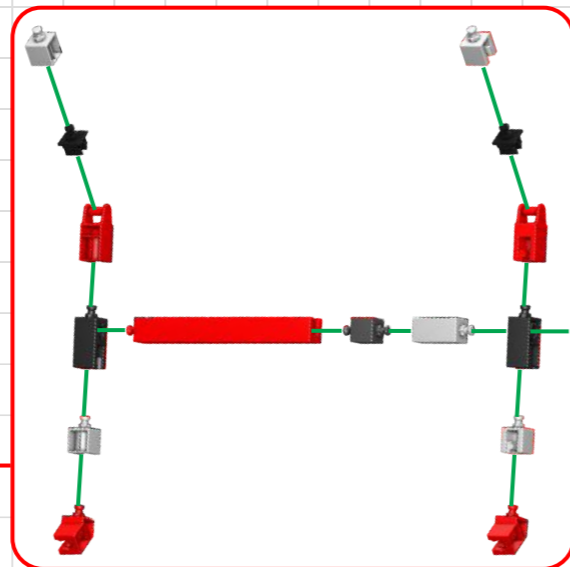
13



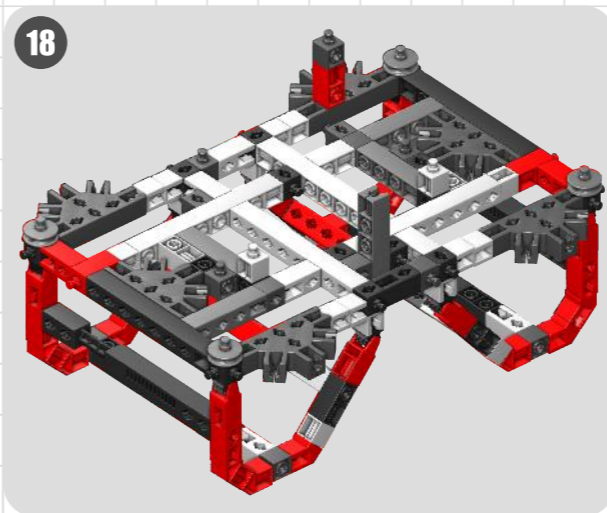
17



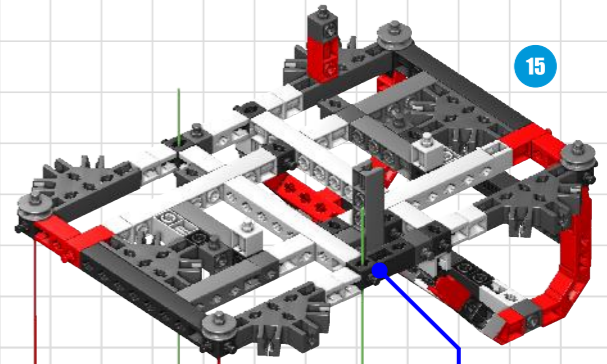
17



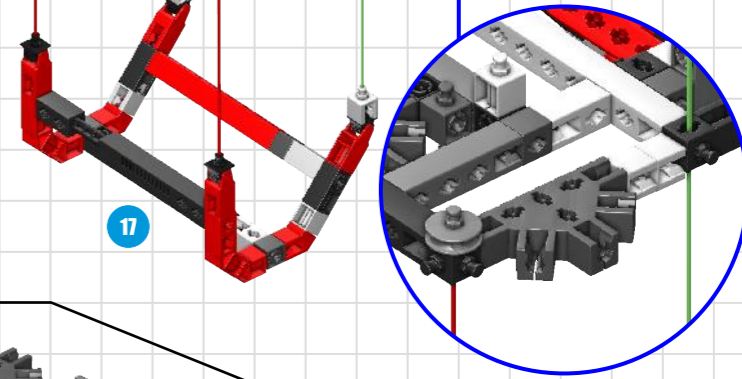
35



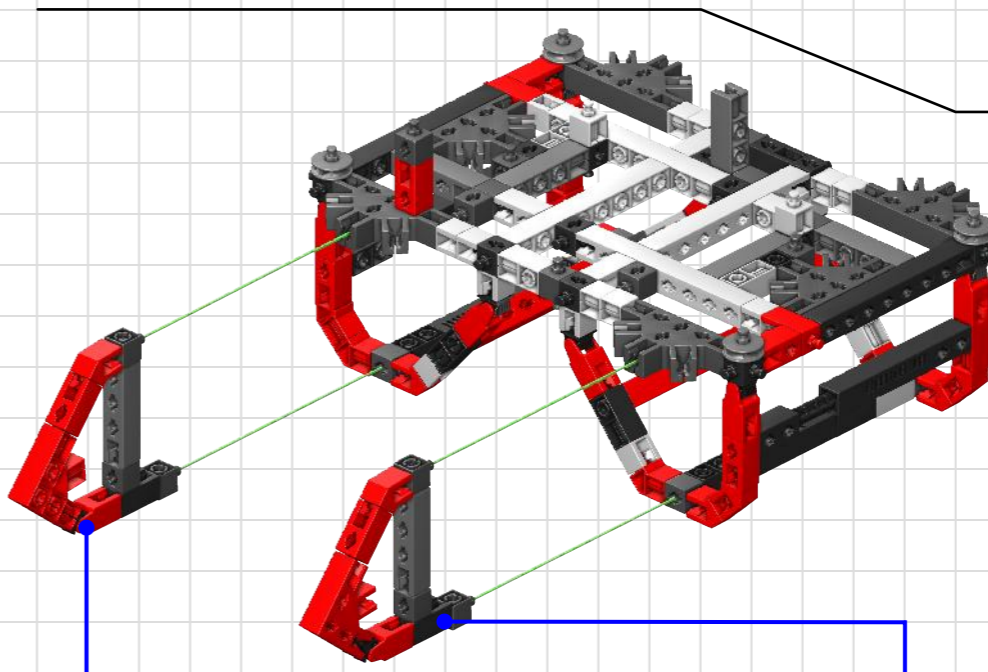
18



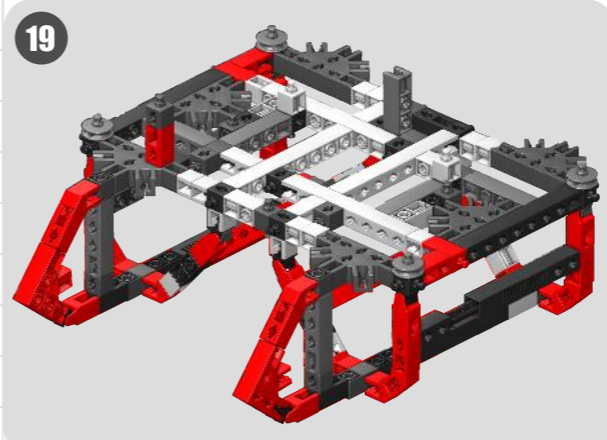
15



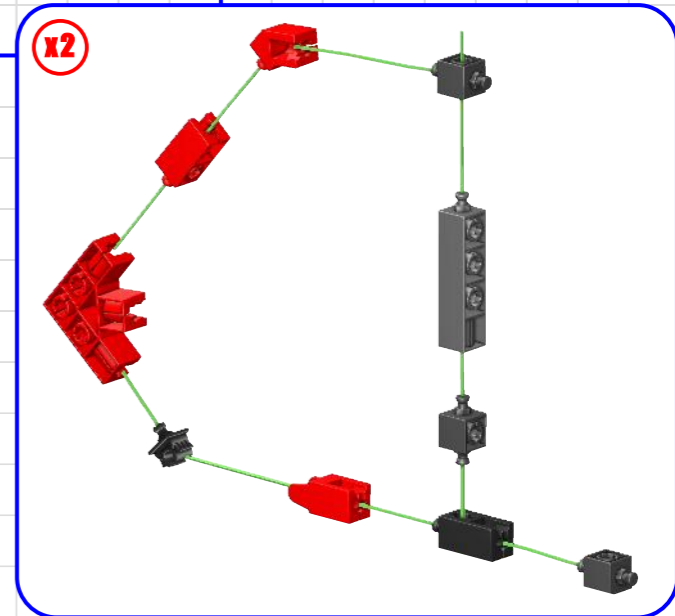
17



18



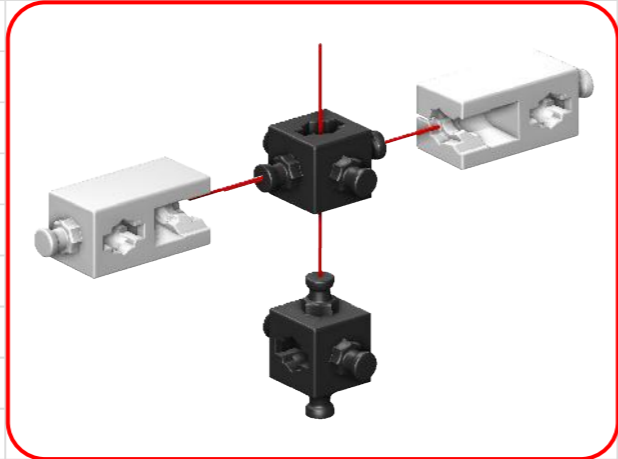
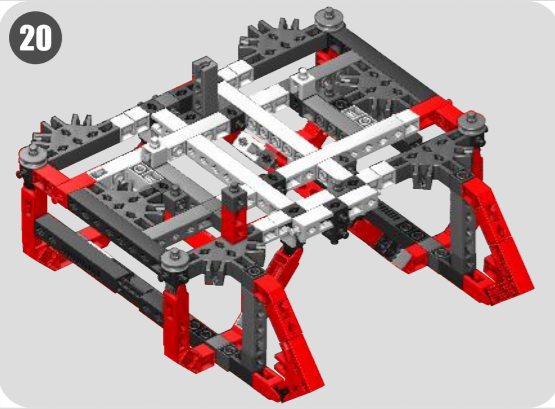
19



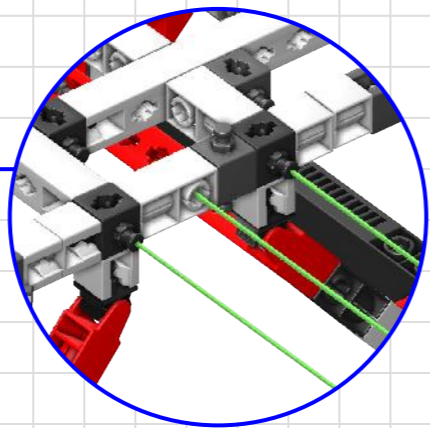
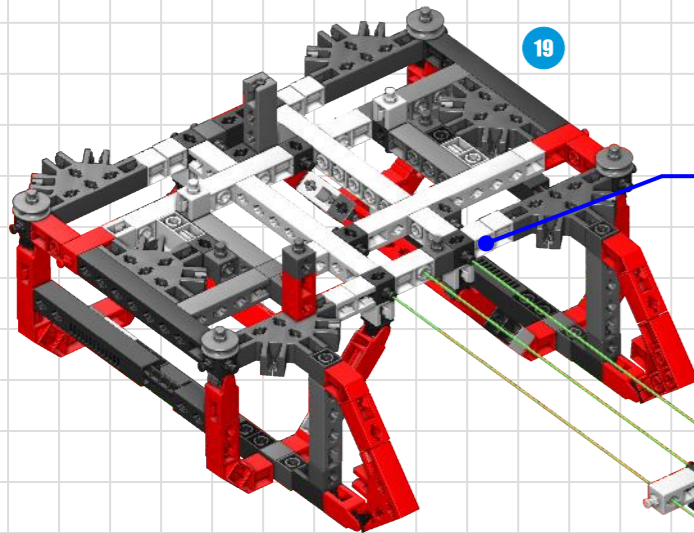
x2

36

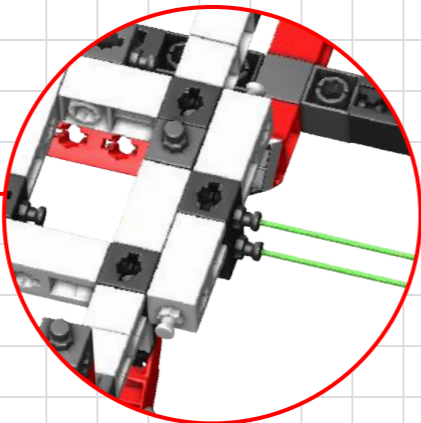
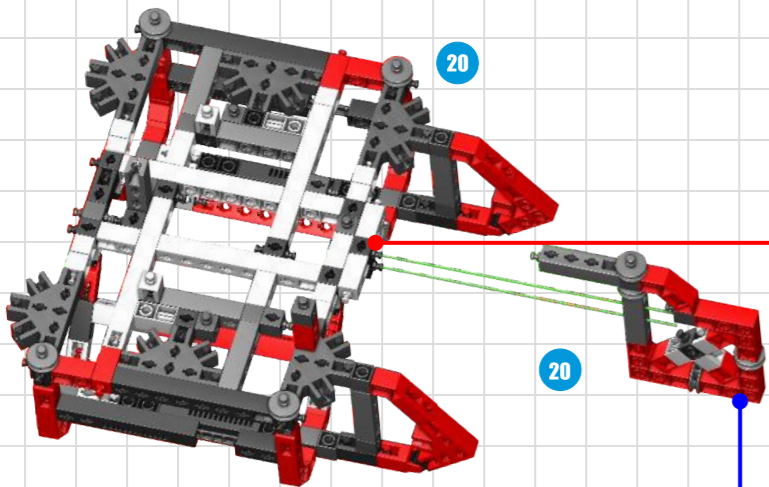
20



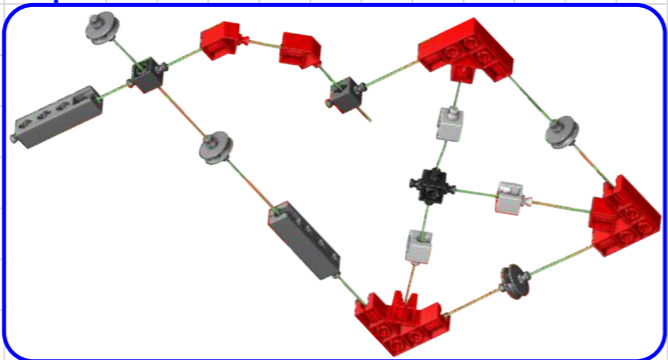
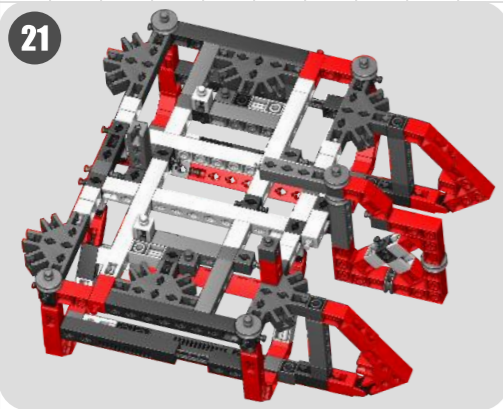
19



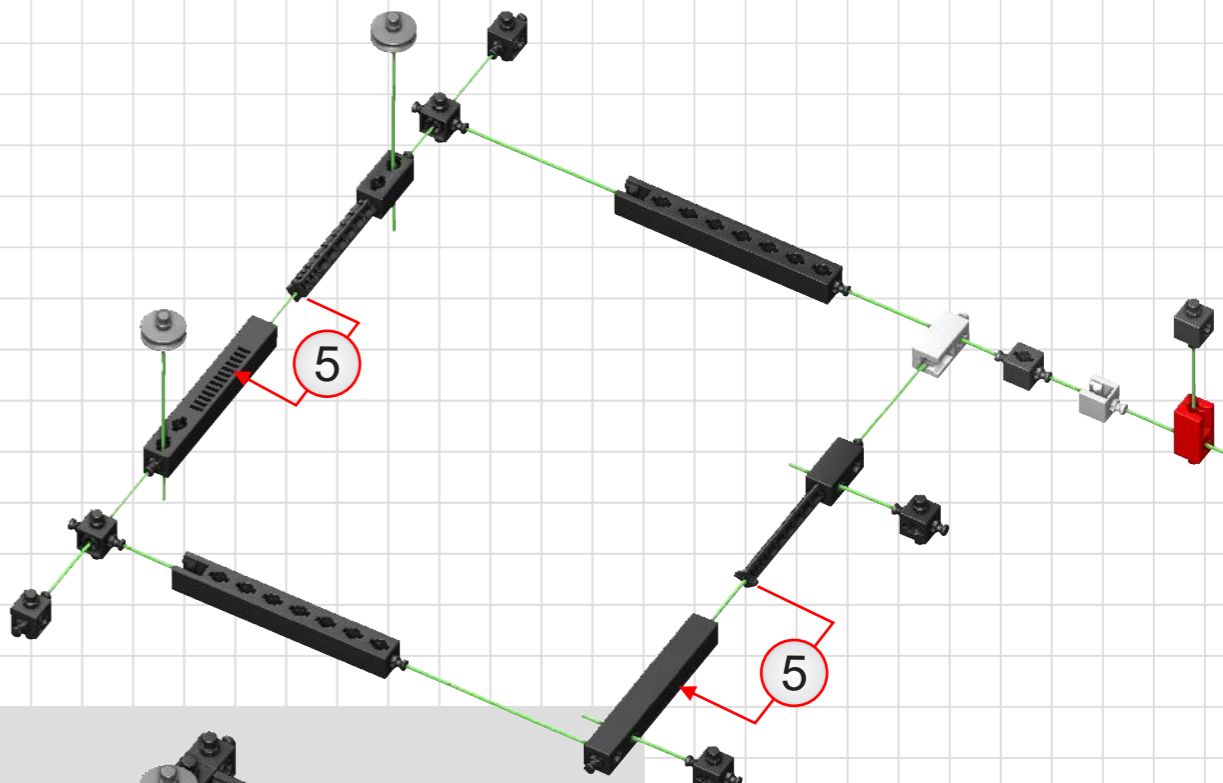
20



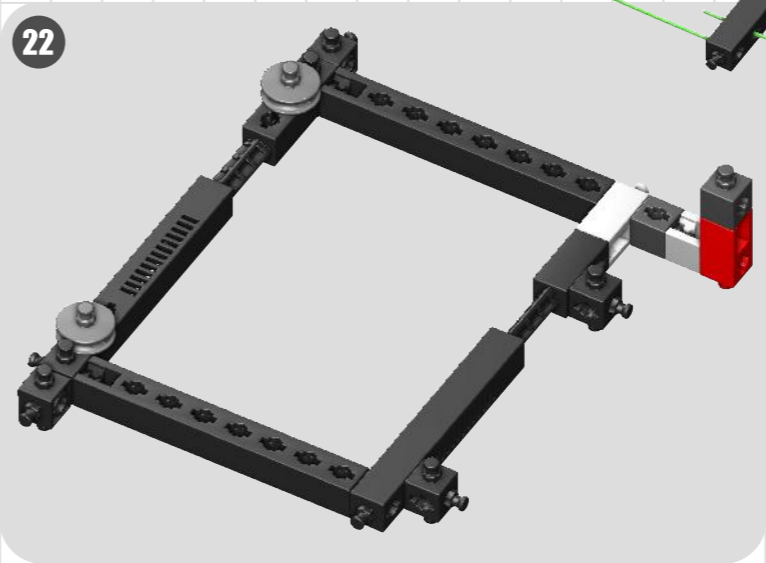
21



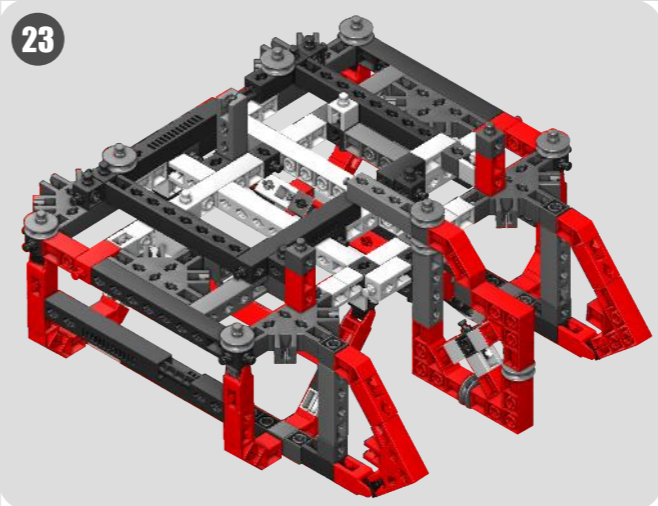
37



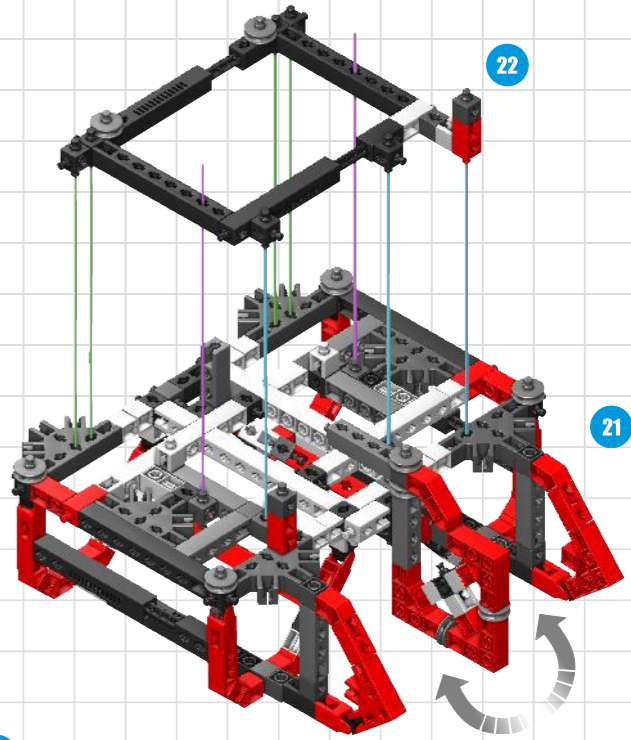
22



23



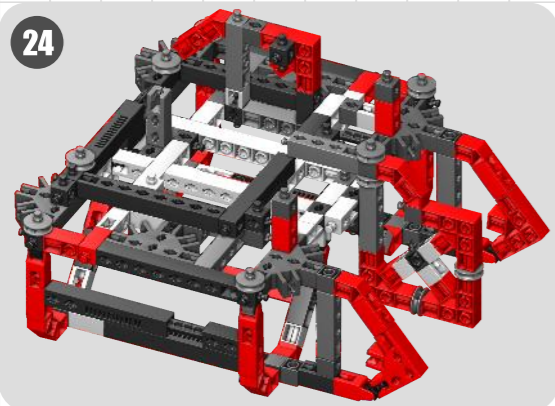
22



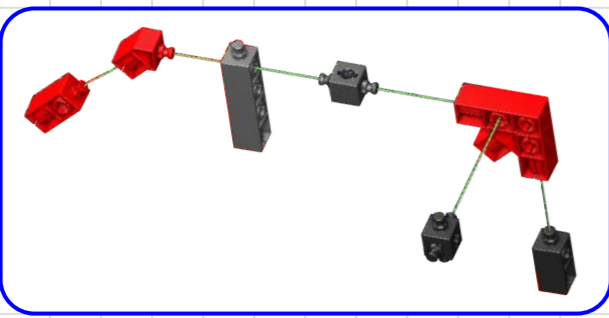
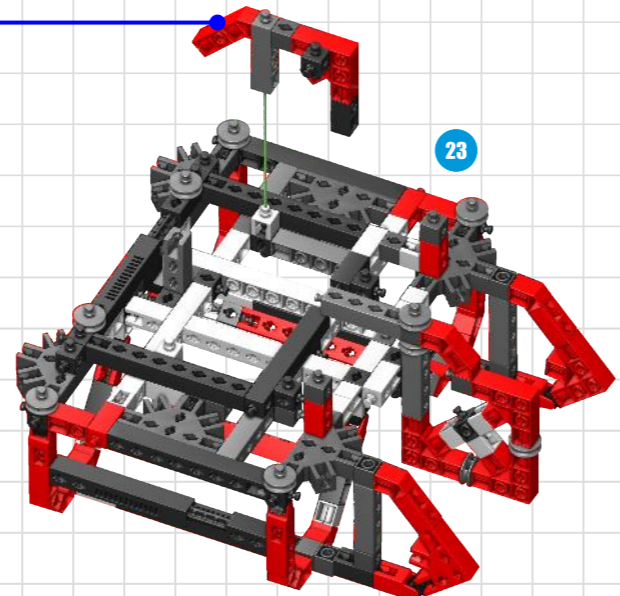
21

38

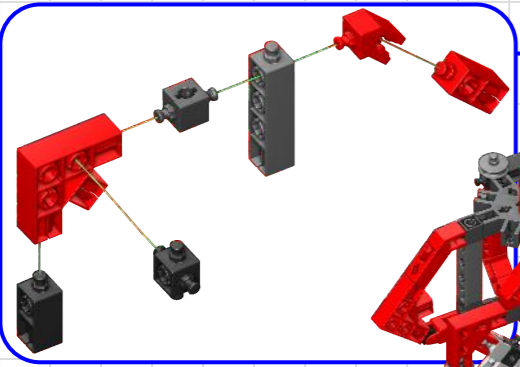
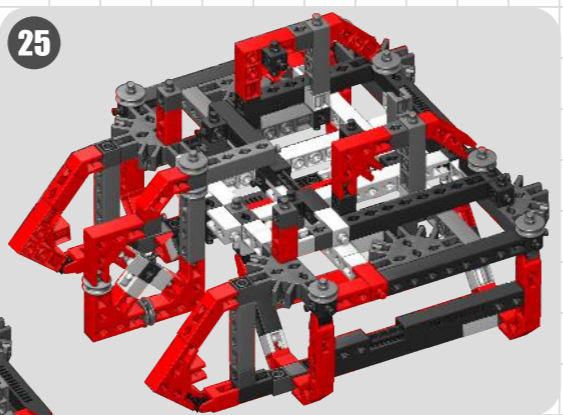
24



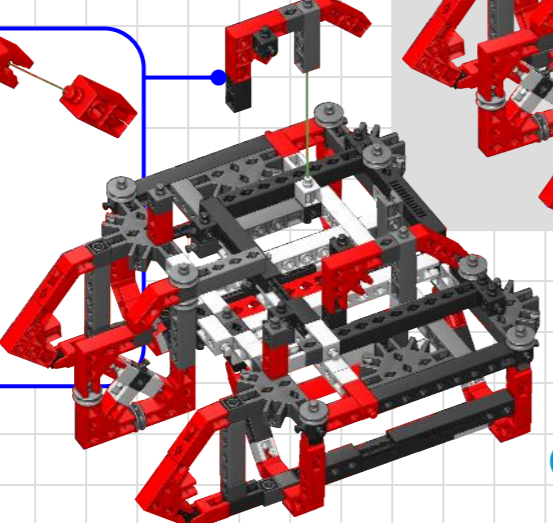
23



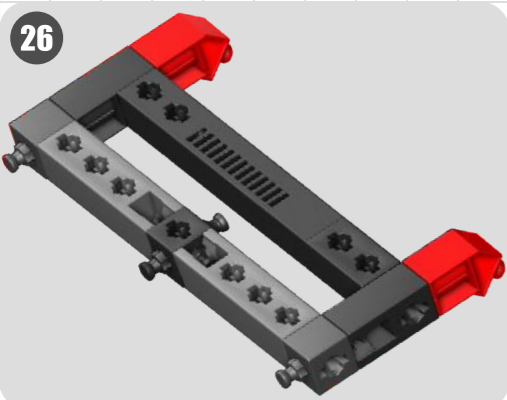
25



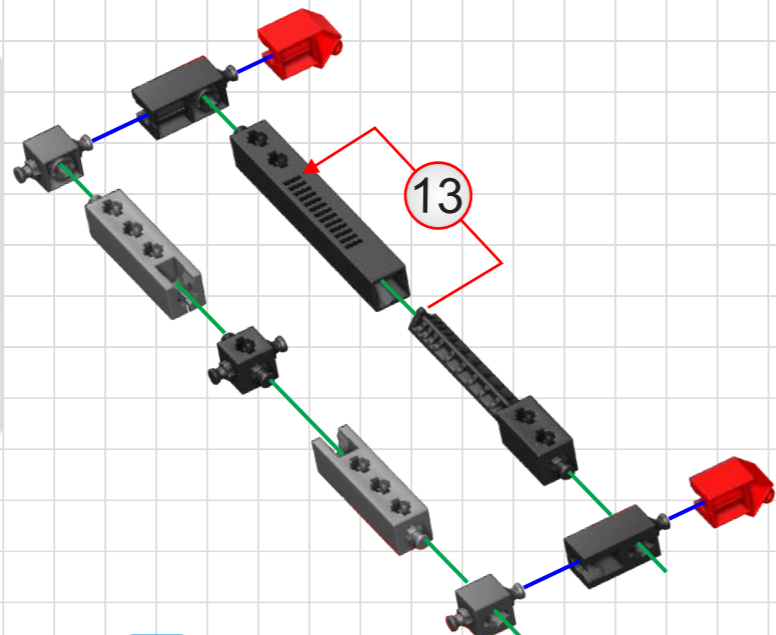
24



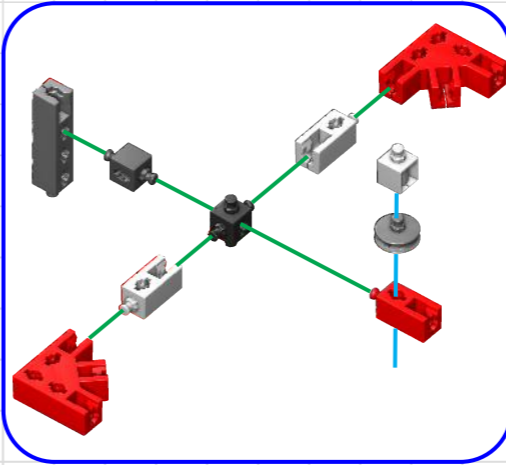
26



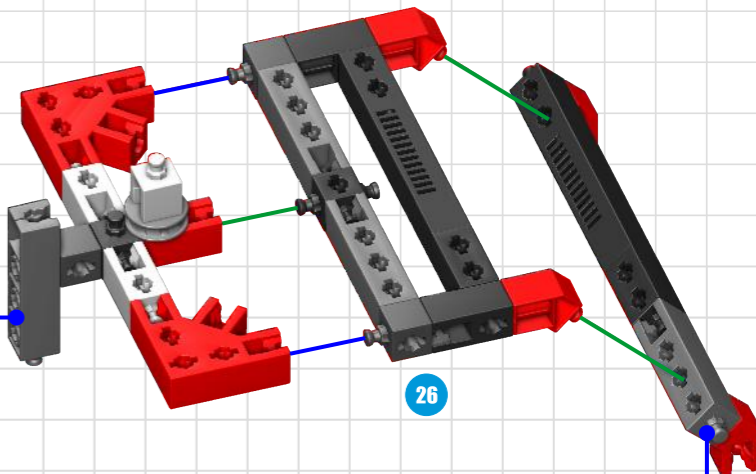
13



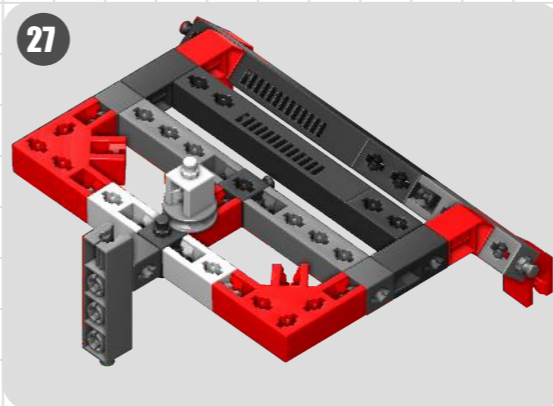
39



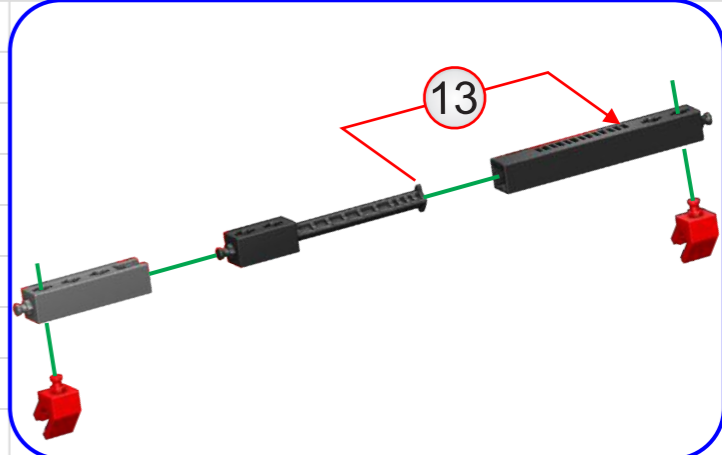
26



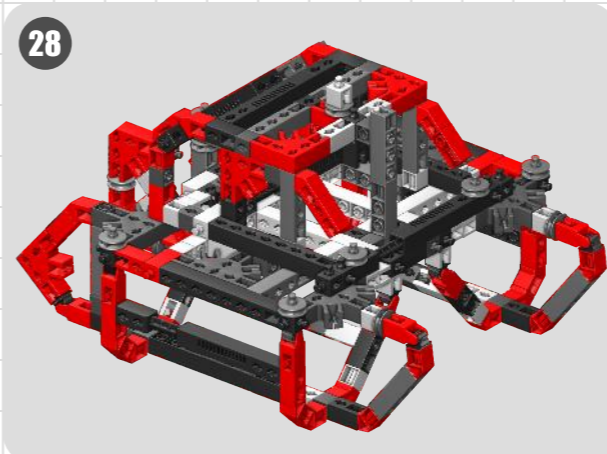
27



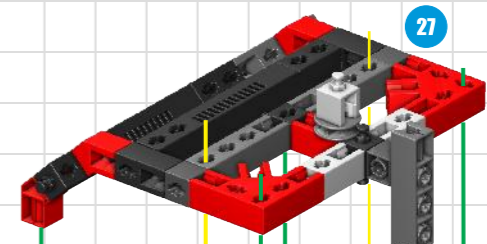
13



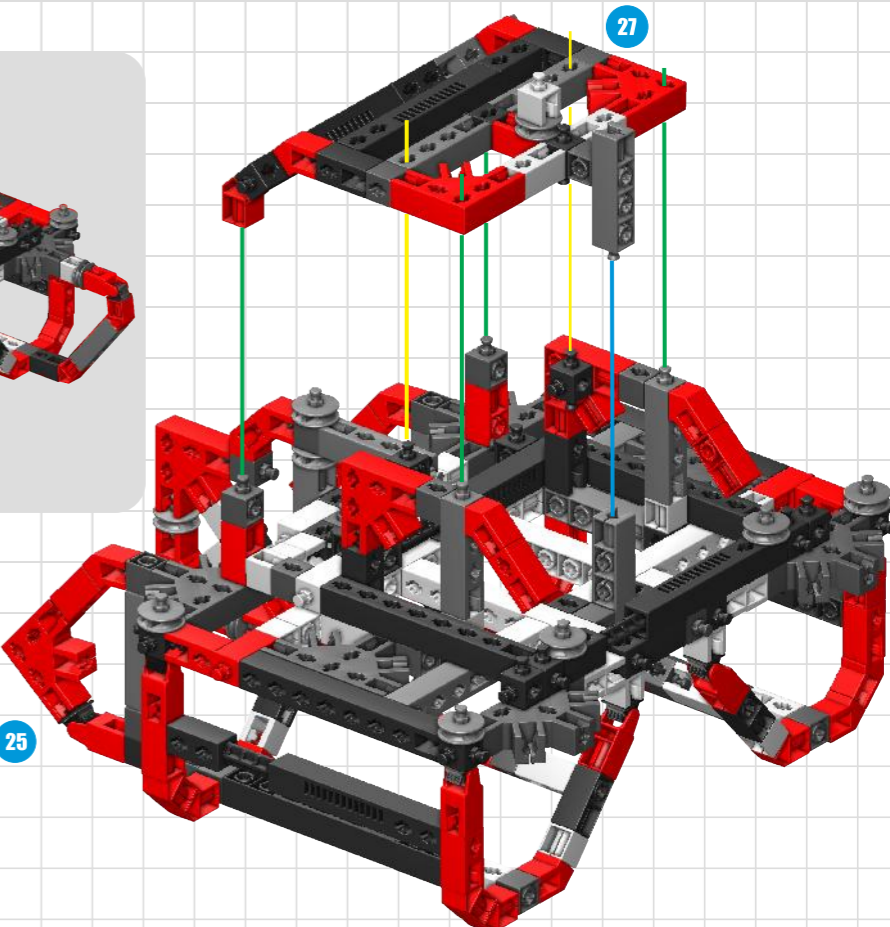
28



27



25



40

