

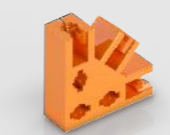
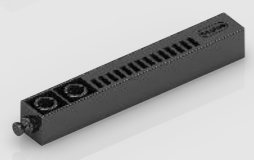

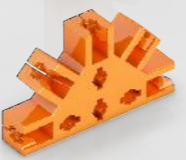
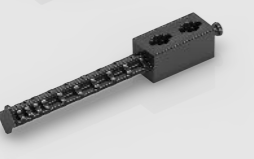

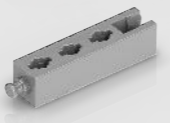



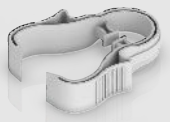












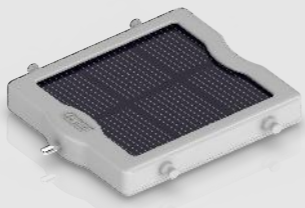




Bill of materials

	x2		x10		x2
	x2		x7		x2
	x2		x7		x15
	x1		x16		x21
	x1		x11		x14
	x2		x2		x14
	x2		x1		x1
	x1		x1		x2
	x1		x1		x1
	x1				
	x1				

CAUTION: This set contains a string longer than 30cm (12 inches). Keep away from children under the age of 36 months. Danger of strangulation.

© Copyright Engino.net Ltd. All Rights Reserved.



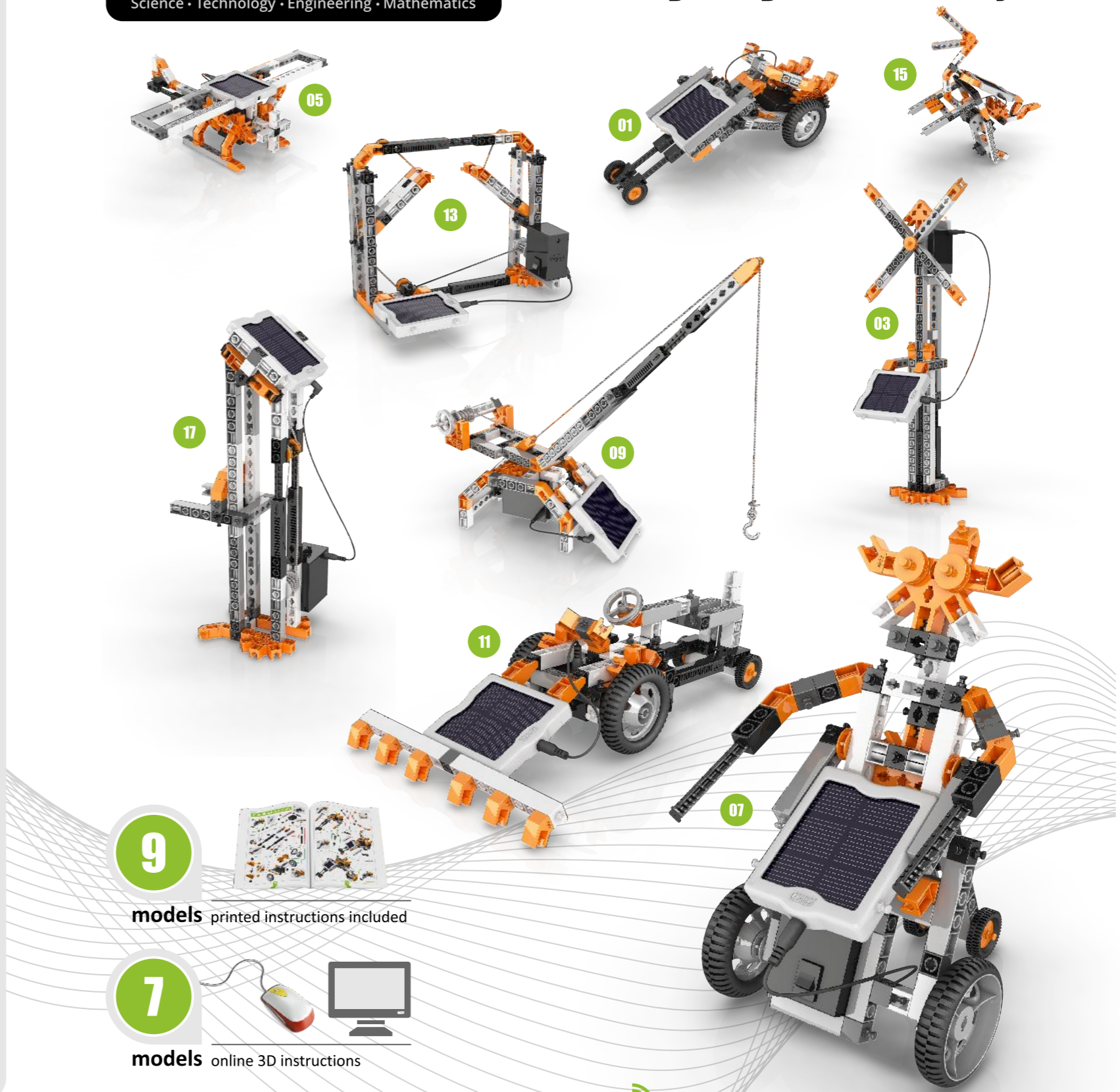
Engino.net Ltd | P.O.Box 72100, 4200 Limassol, Cyprus, European Union
 Tel.: +357 25821960, Fax: +357 25821961
 Email: info@engino.com, Website: www.engino.com



WARNING:
CHOKING HAZARD - Small parts.
 Not for children under 3 yrs.

DISCOVERING STEM
 Science • Technology • Engineering • Mathematics

SOLAR POWER
 converting sunlight to electricity



9 models printed instructions included

7 models online 3D instructions



3D interactive instructions
 to download on your smart device

16 models to build

8-16+



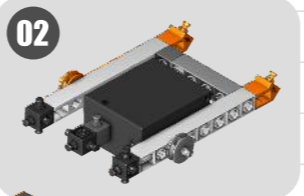
Building Instructions



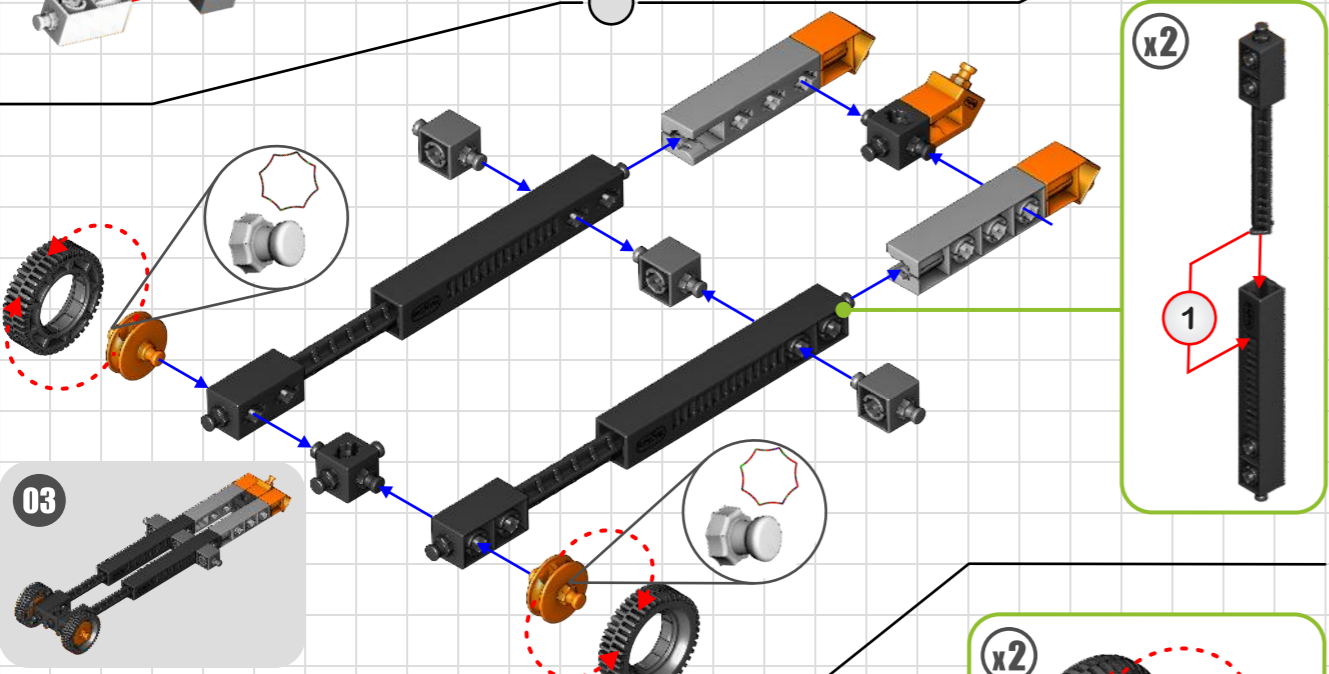
solar chopper car



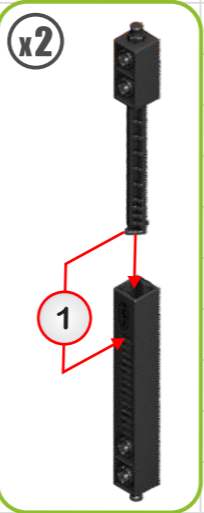
01



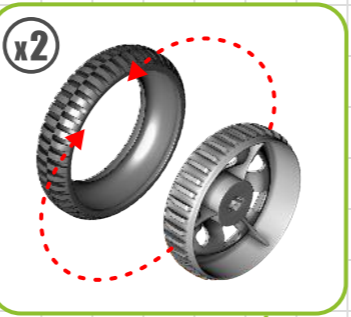
02



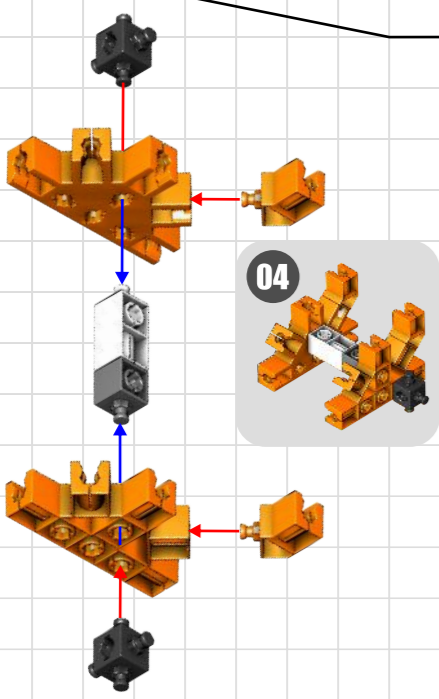
03



1

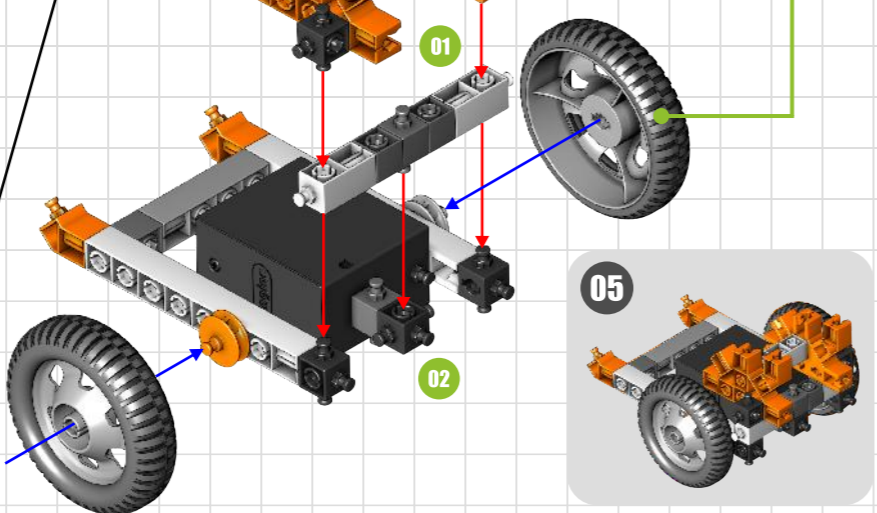


x2



04

04



02

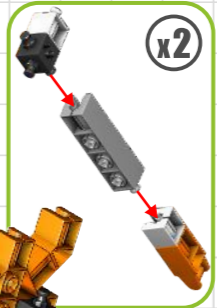


05

01

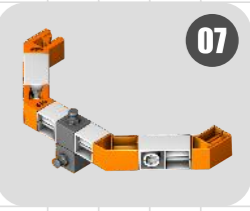


06



05

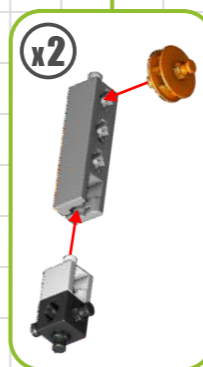
x2



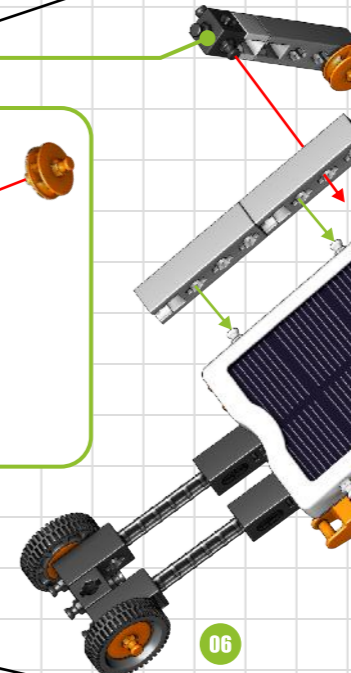
07



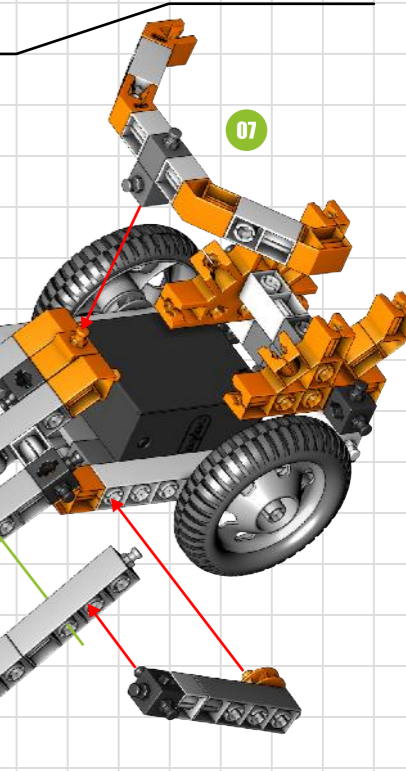
08



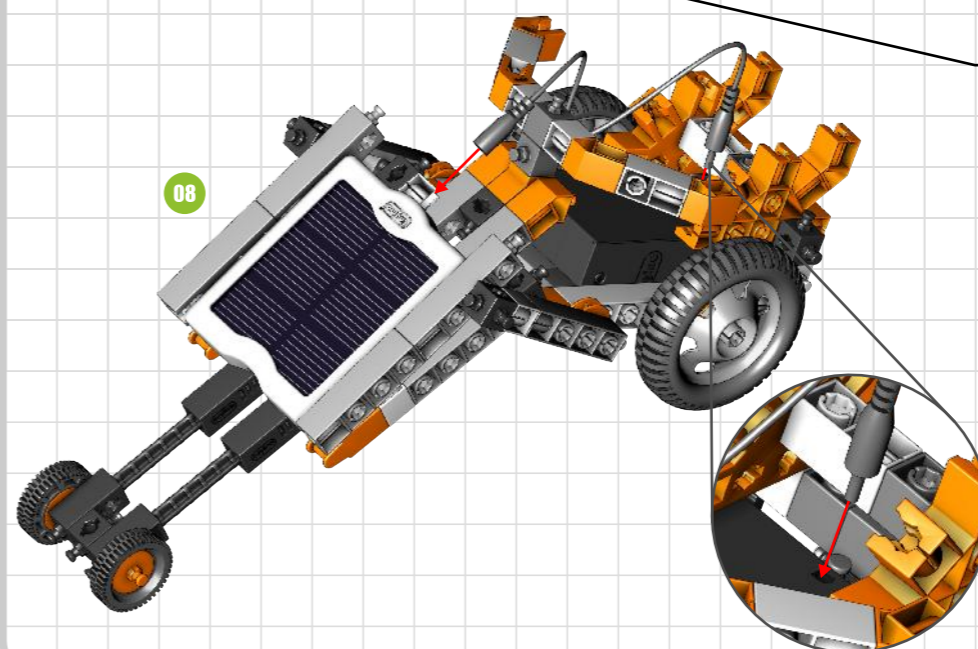
x2



06



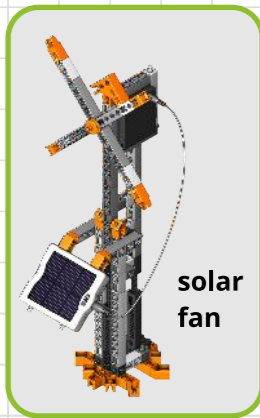
07



08

02





solar fan

01

02

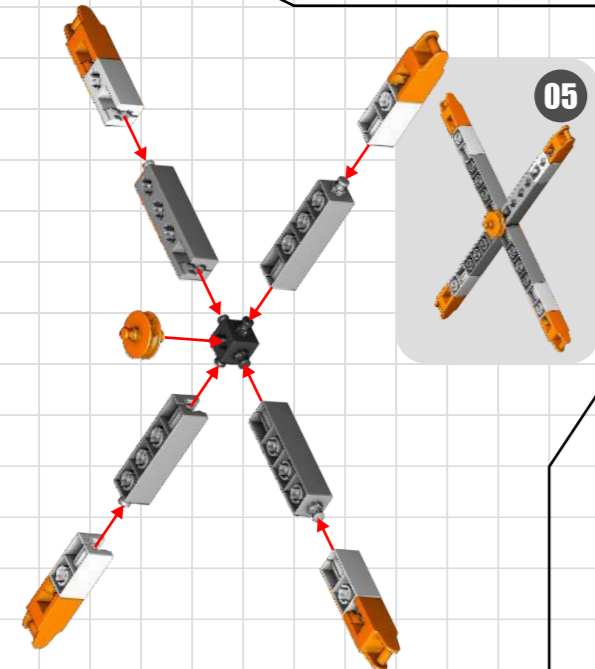
5

1

04

03

02



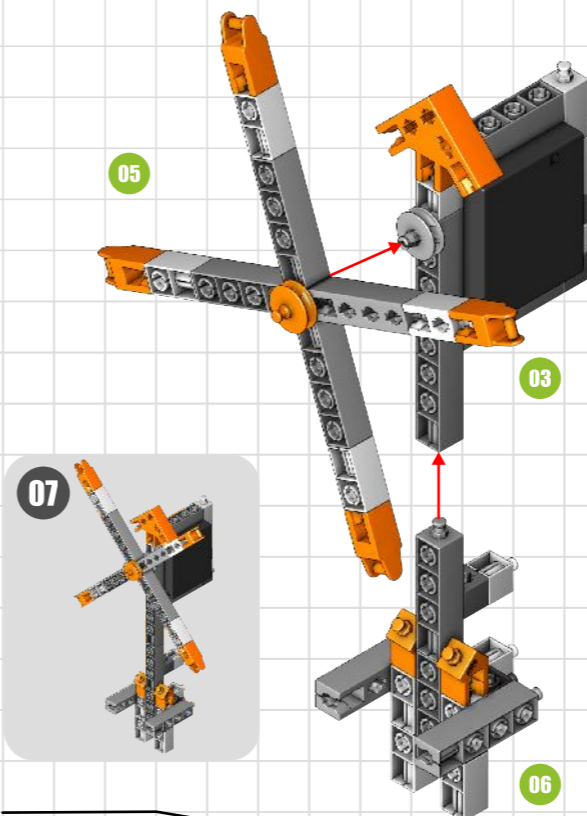
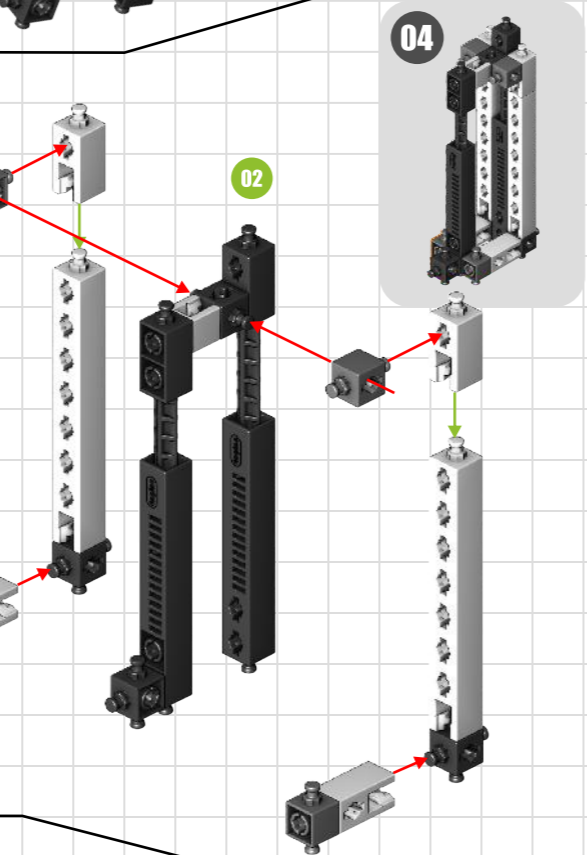
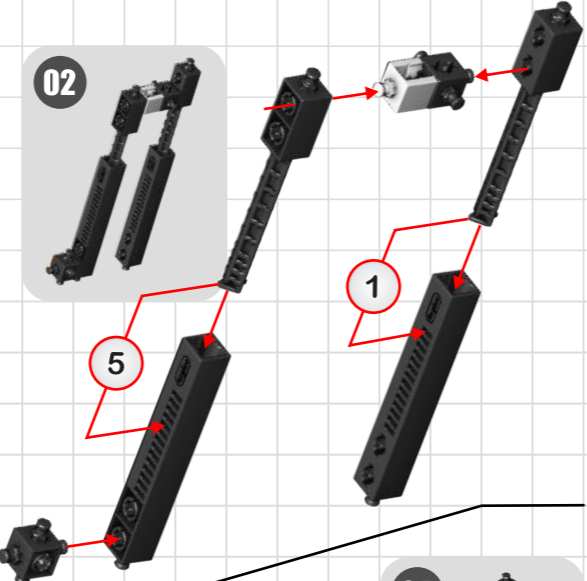
05

06

01

x2

03



05

03

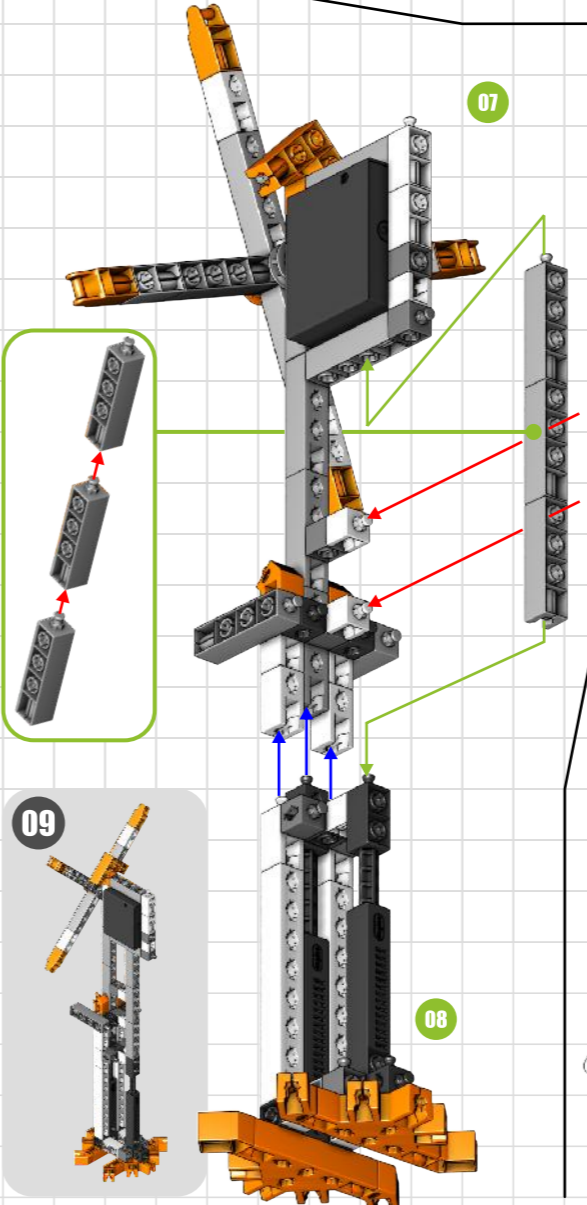
07

06

04

08

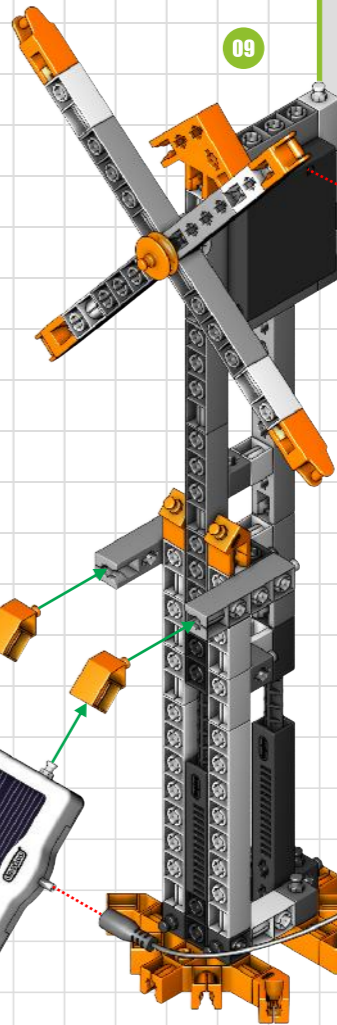
x2



07

09

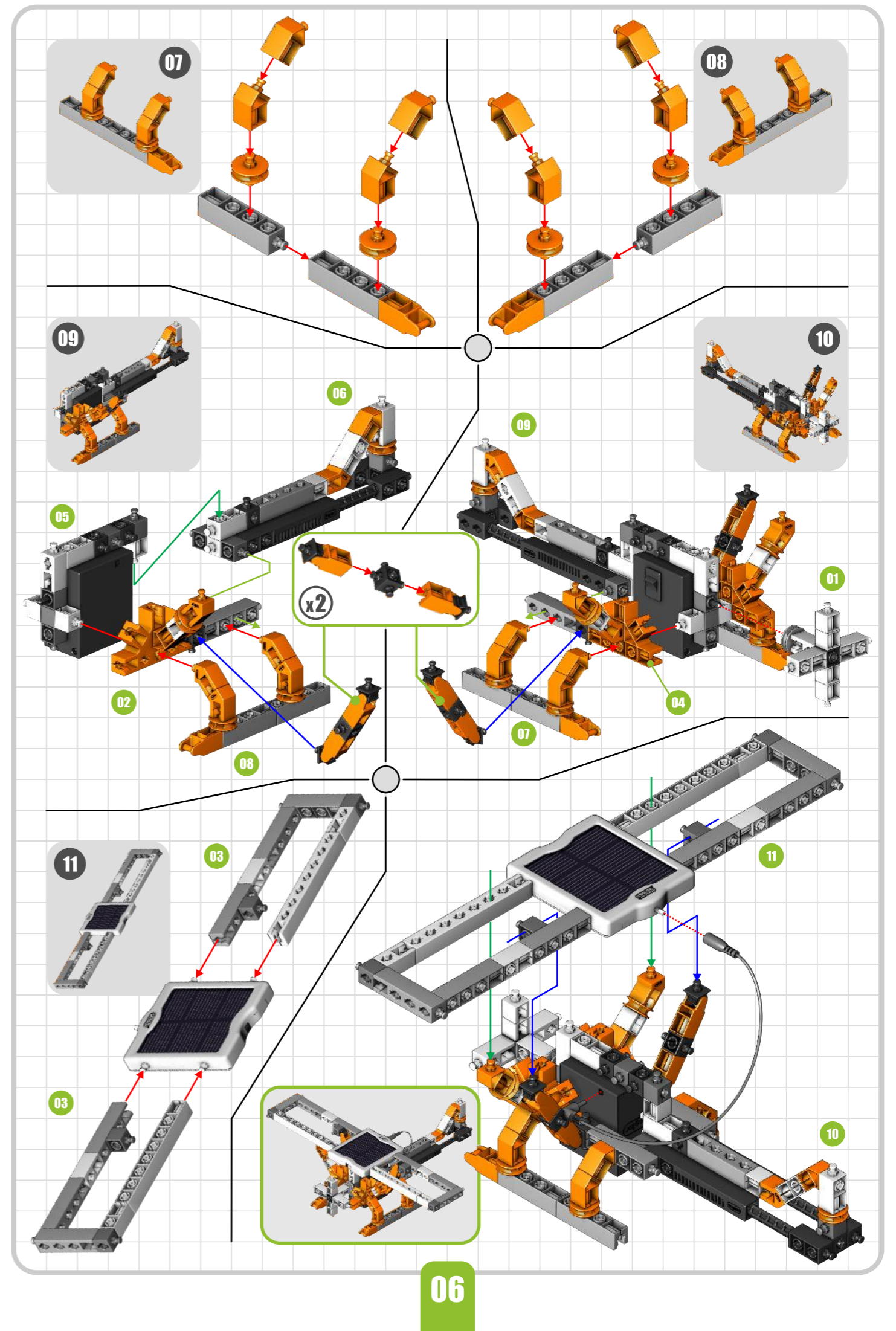
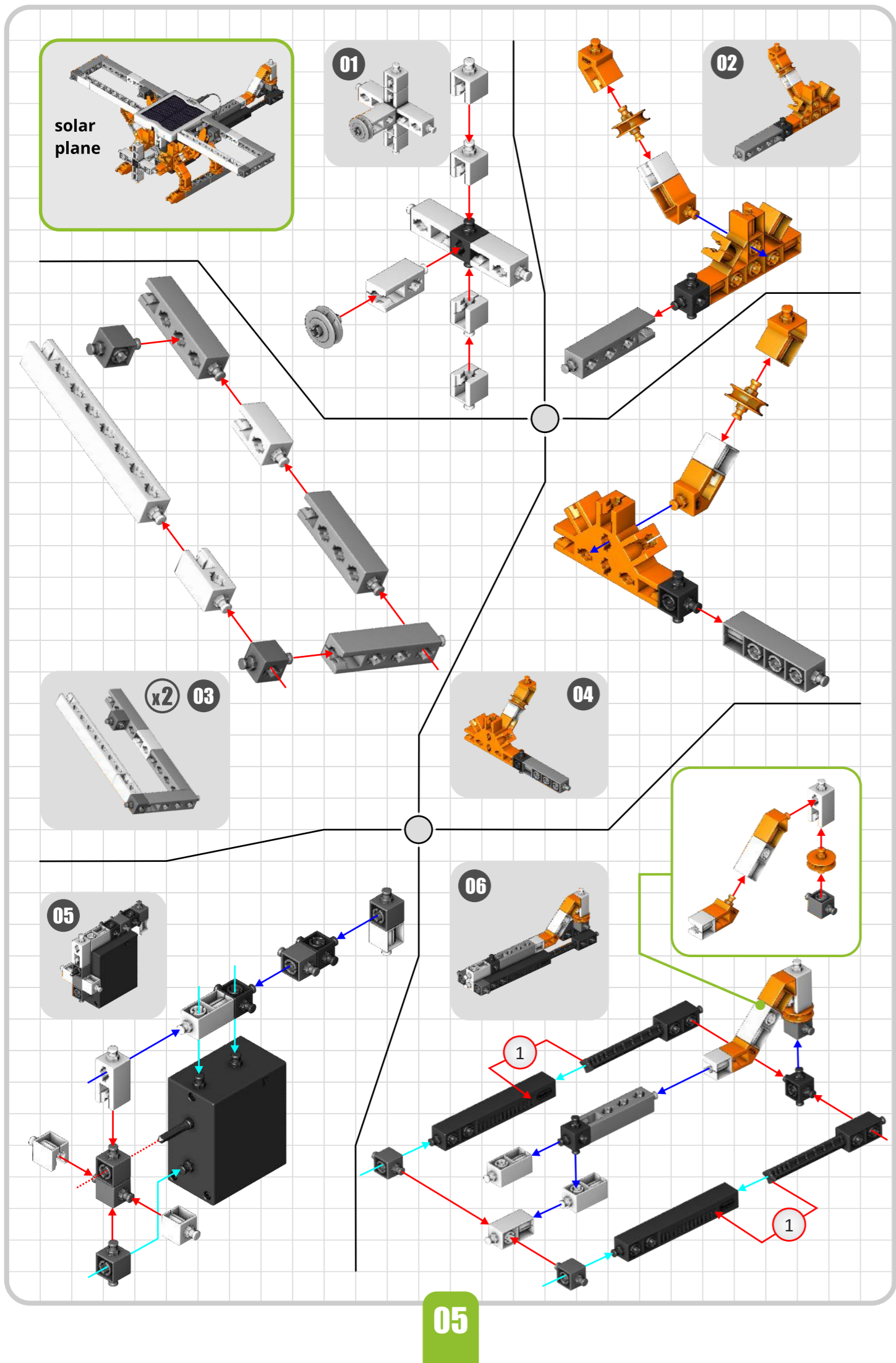
08



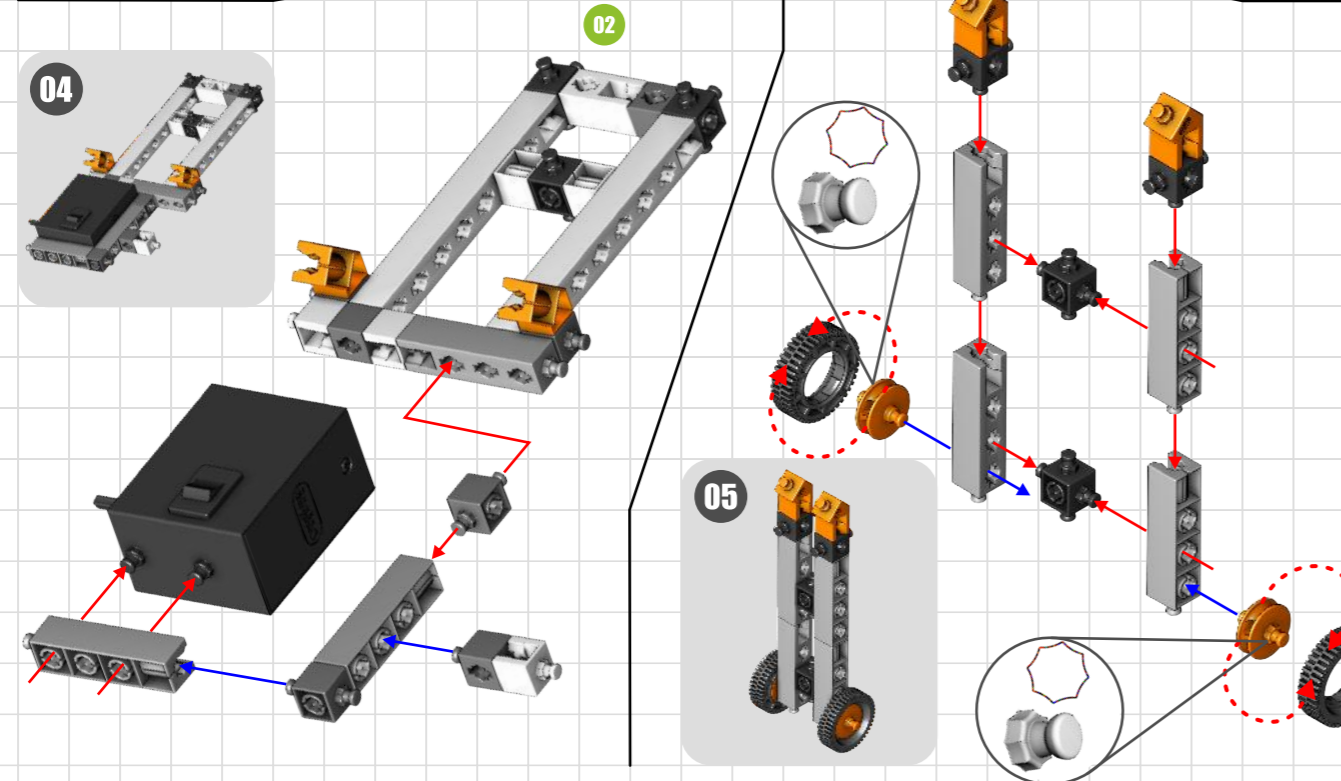
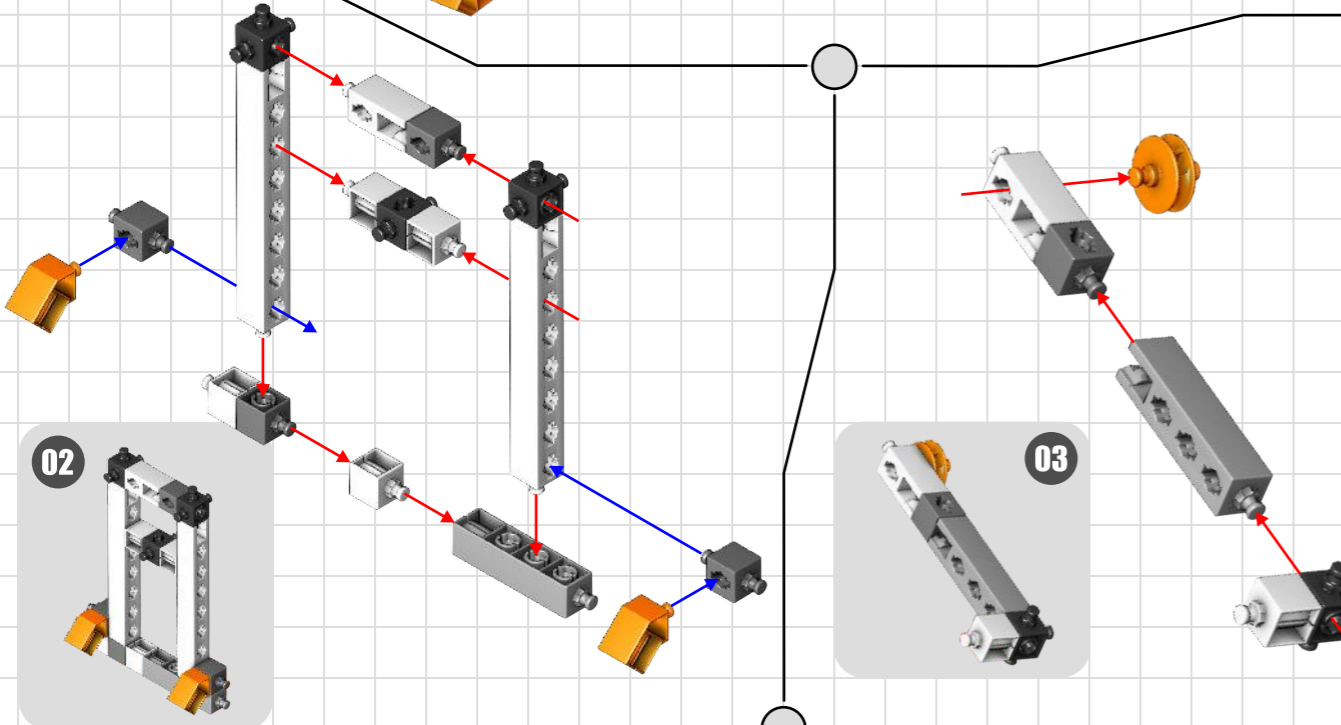
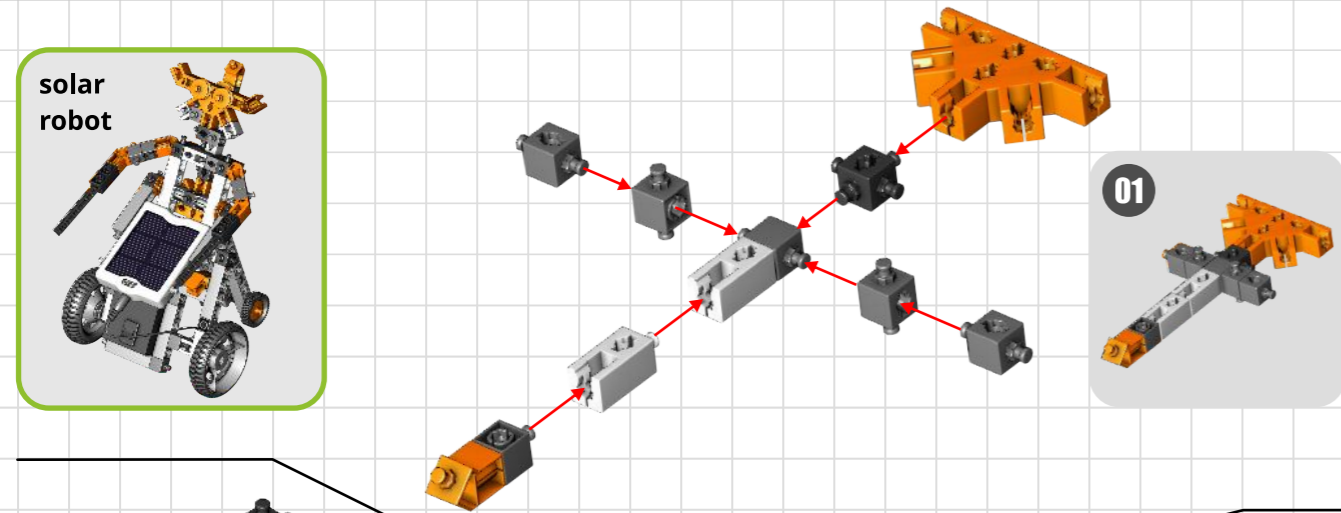
09

04

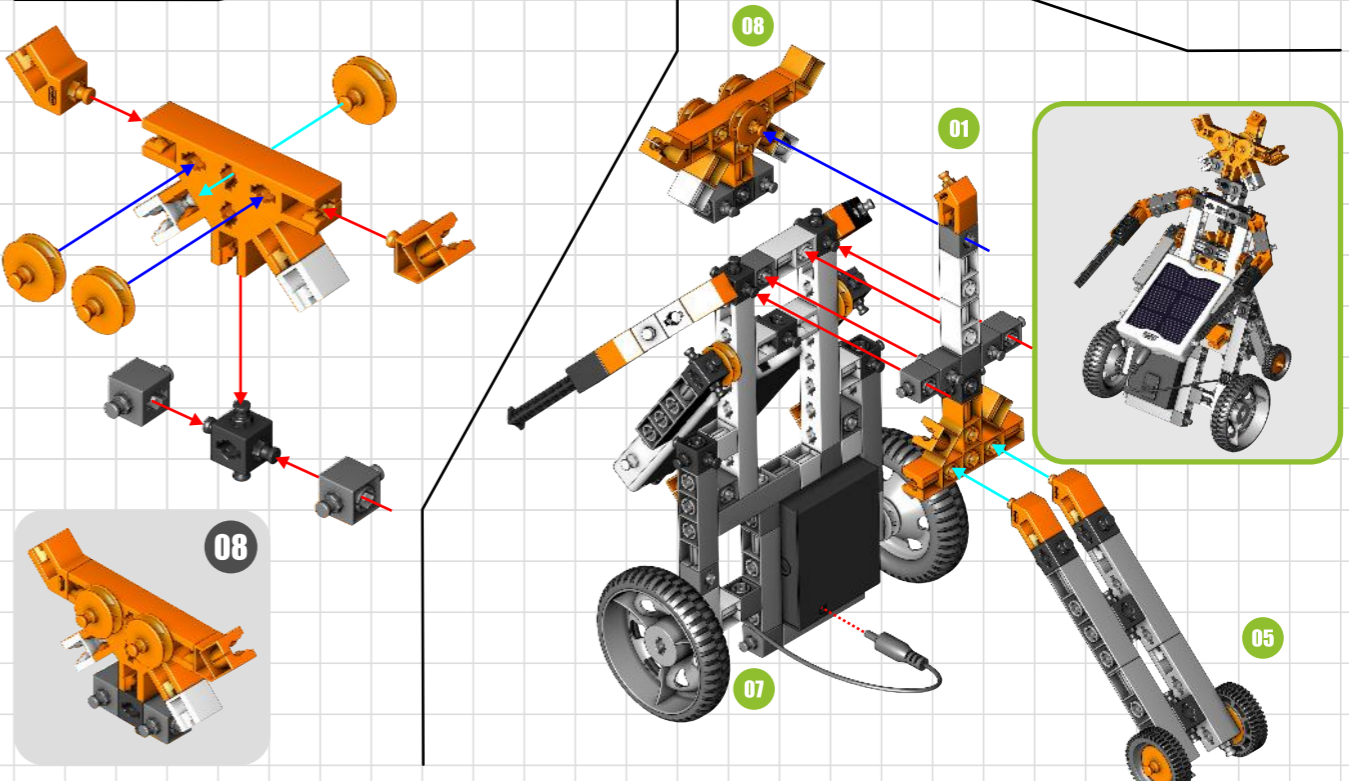
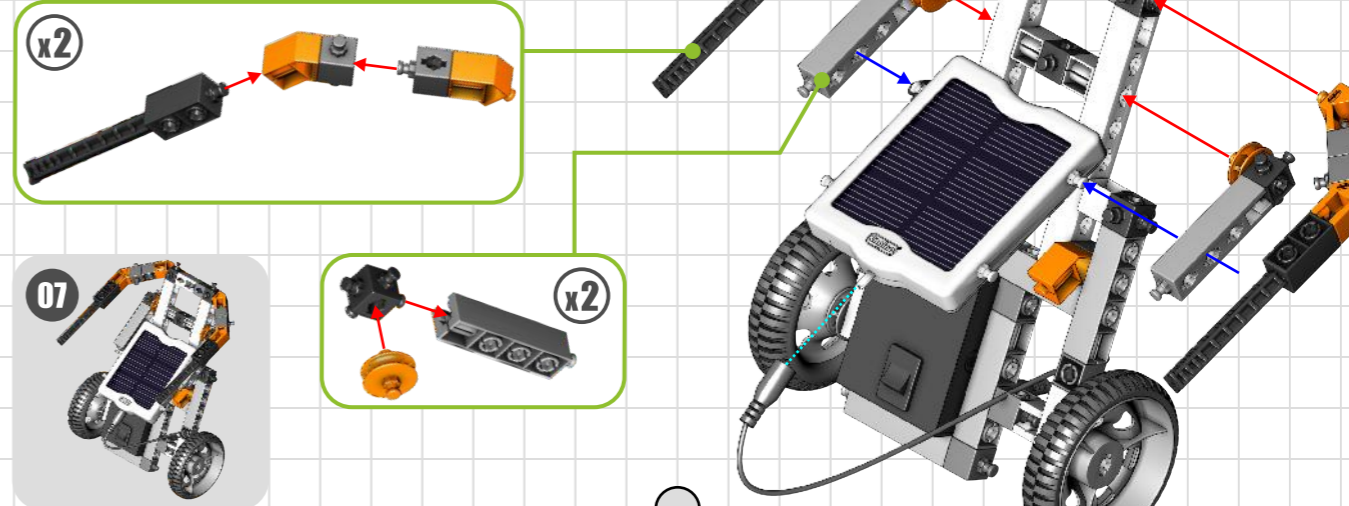
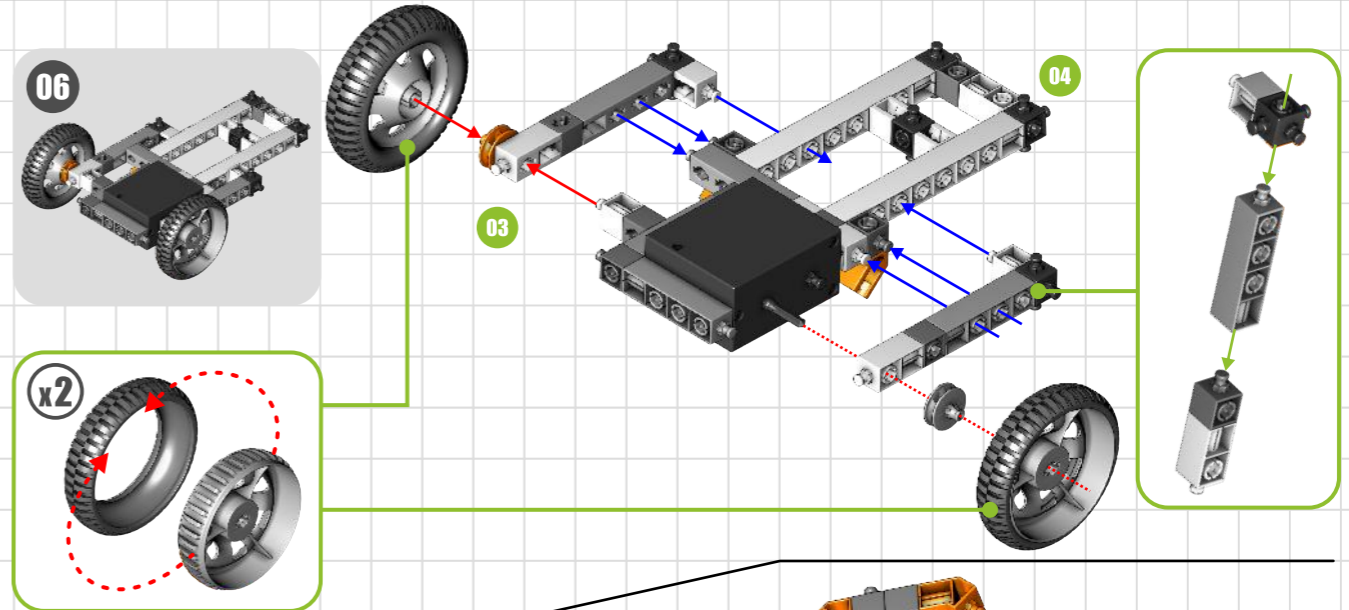




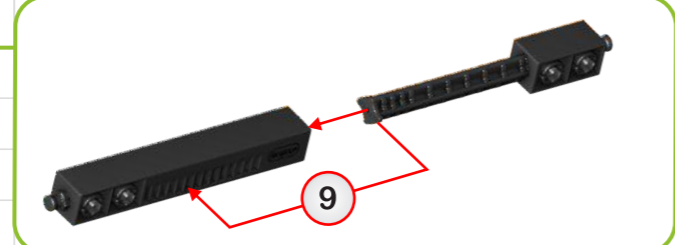
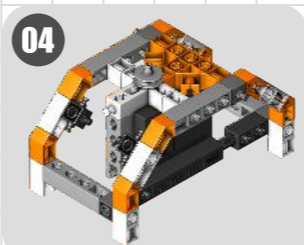
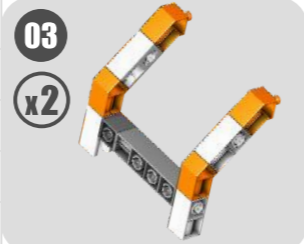
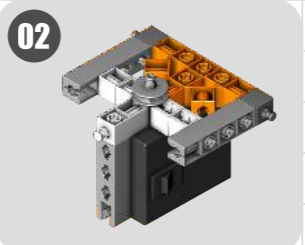
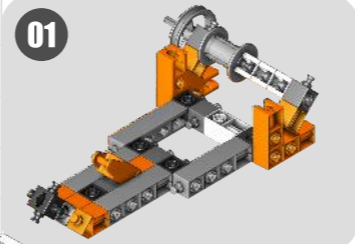
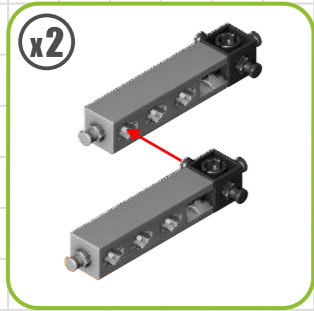
solar robot



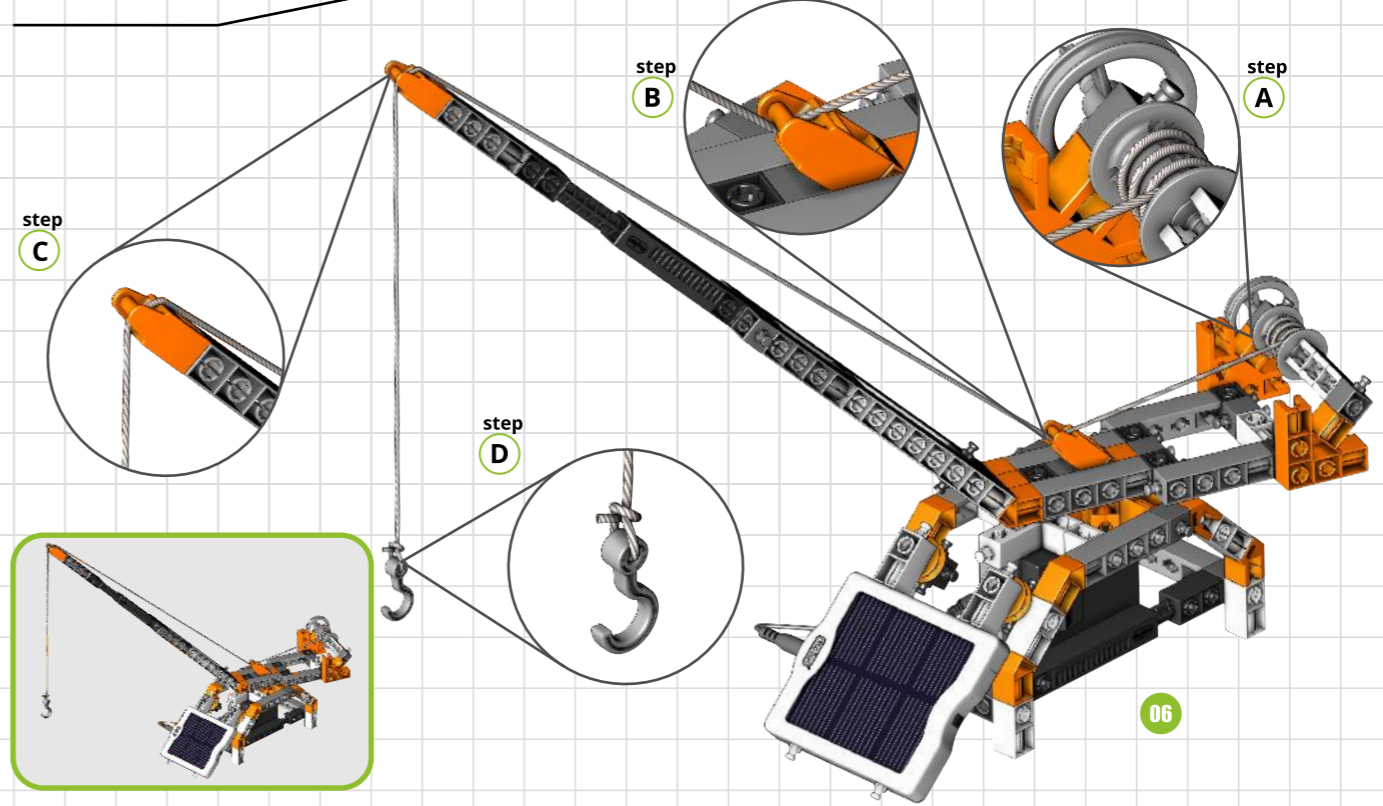
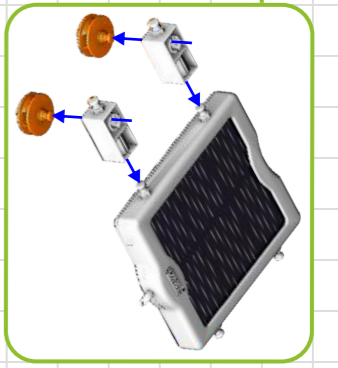
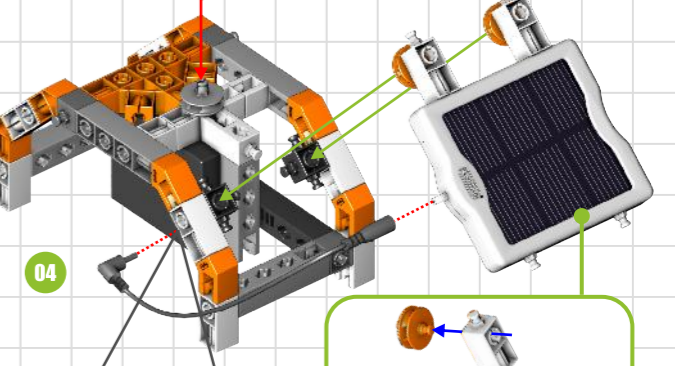
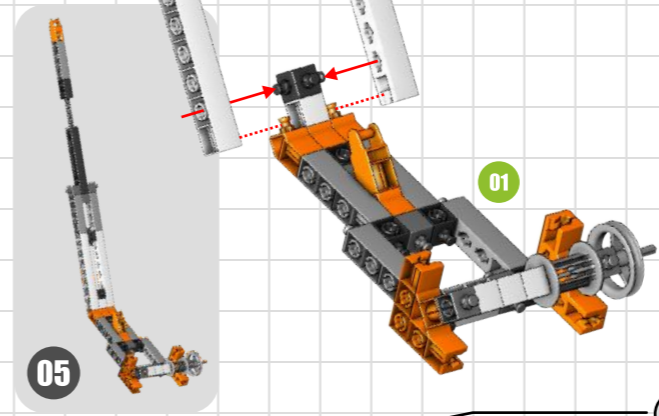
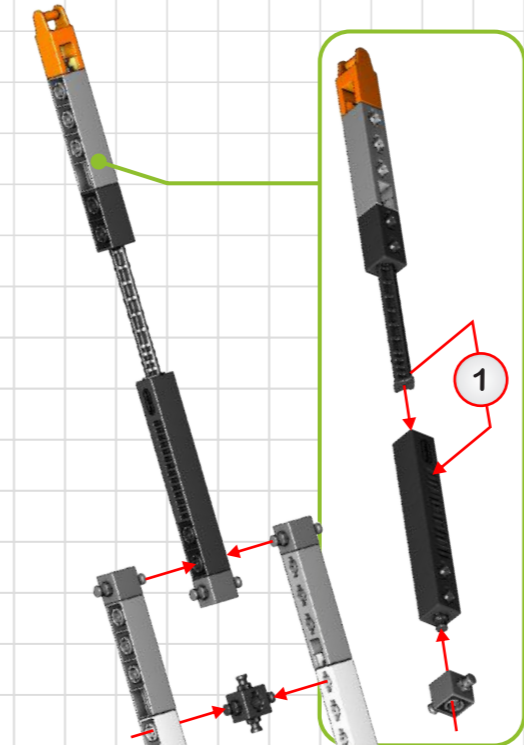
07



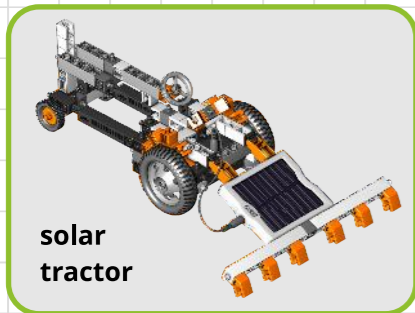
08



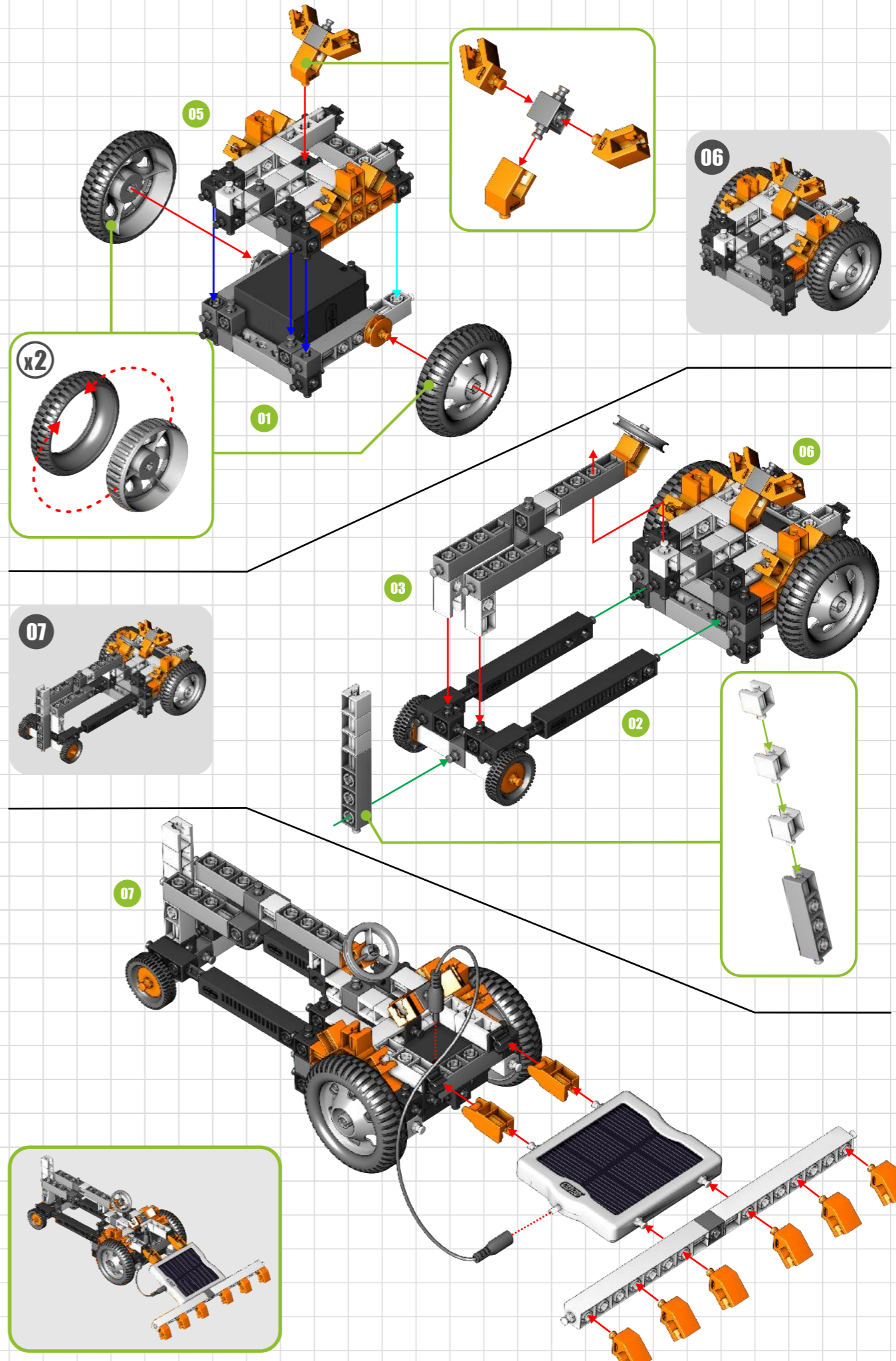
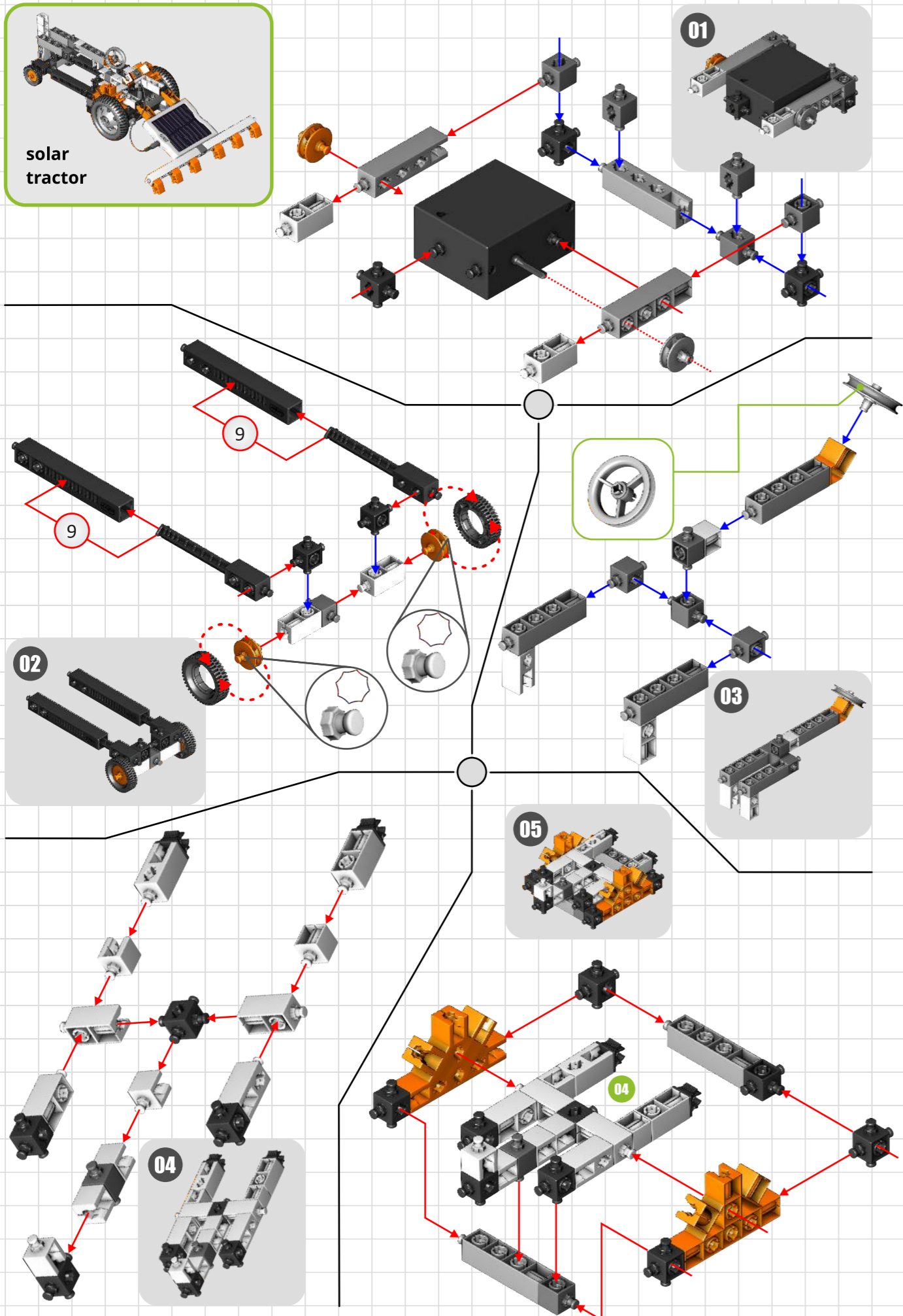
09

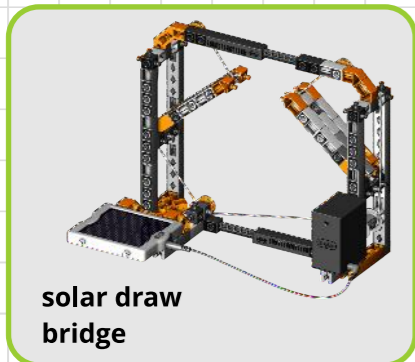


10

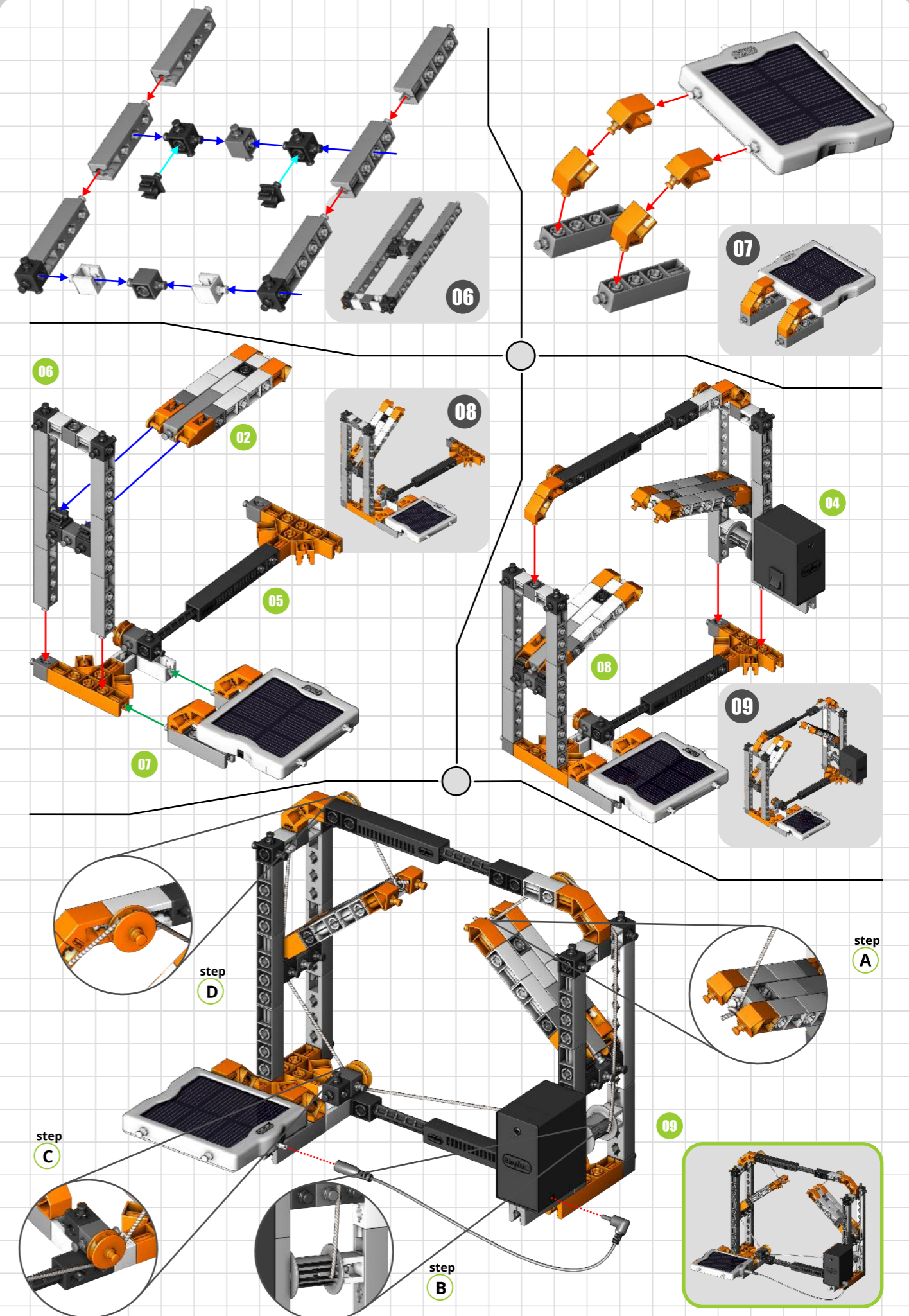
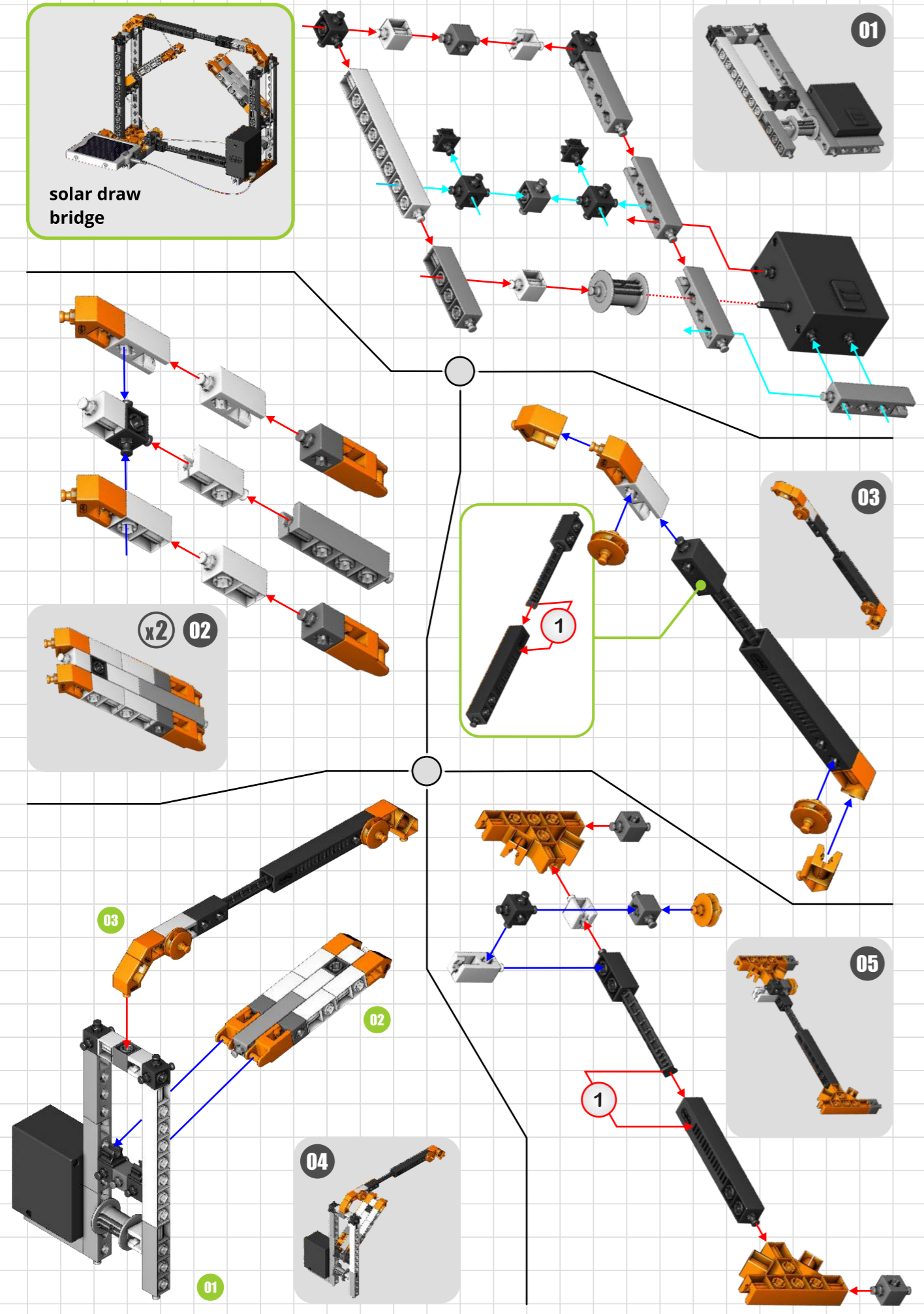


solar tractor



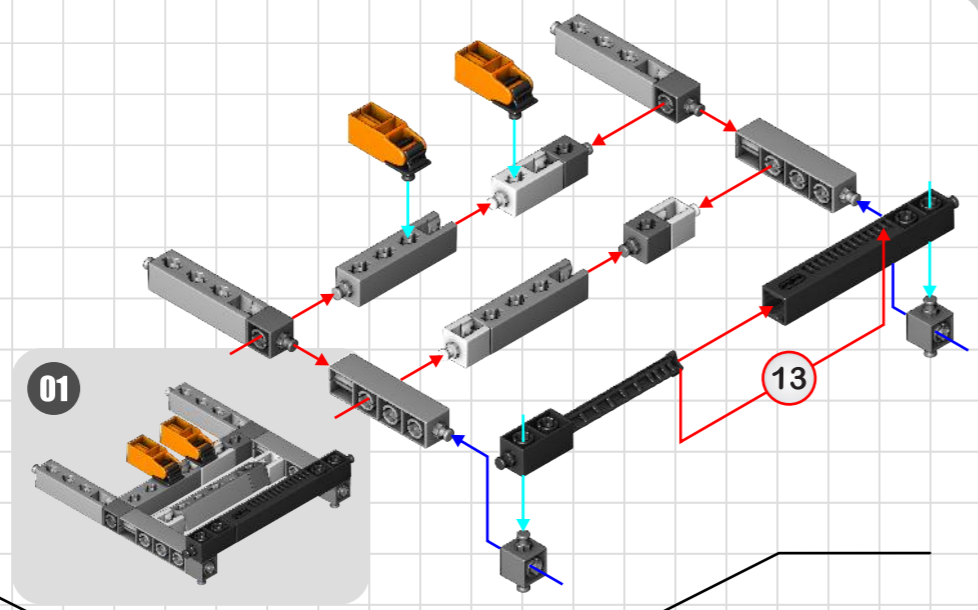


solar draw bridge



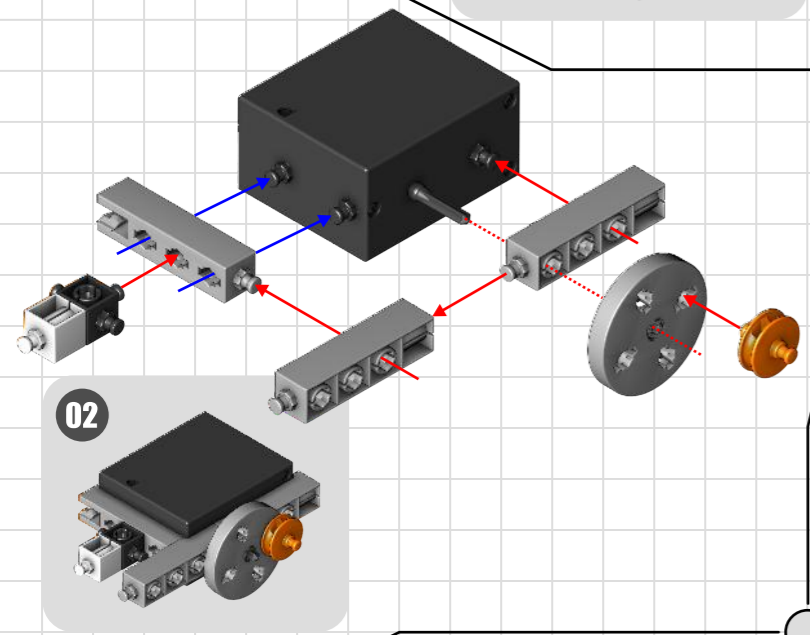


solar dog



01

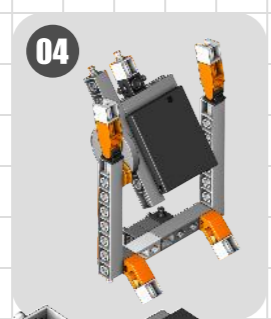
13



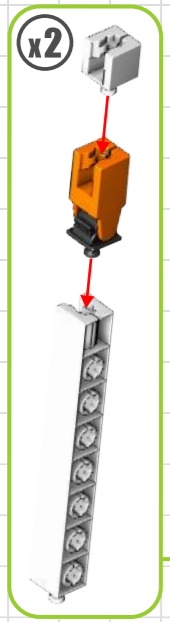
02



03



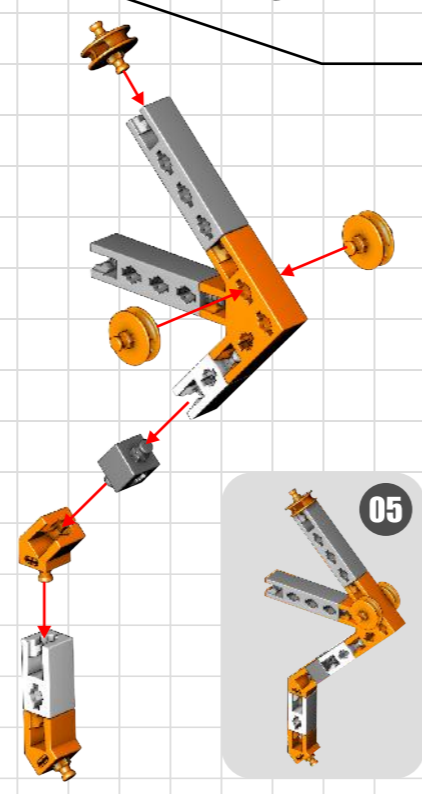
04



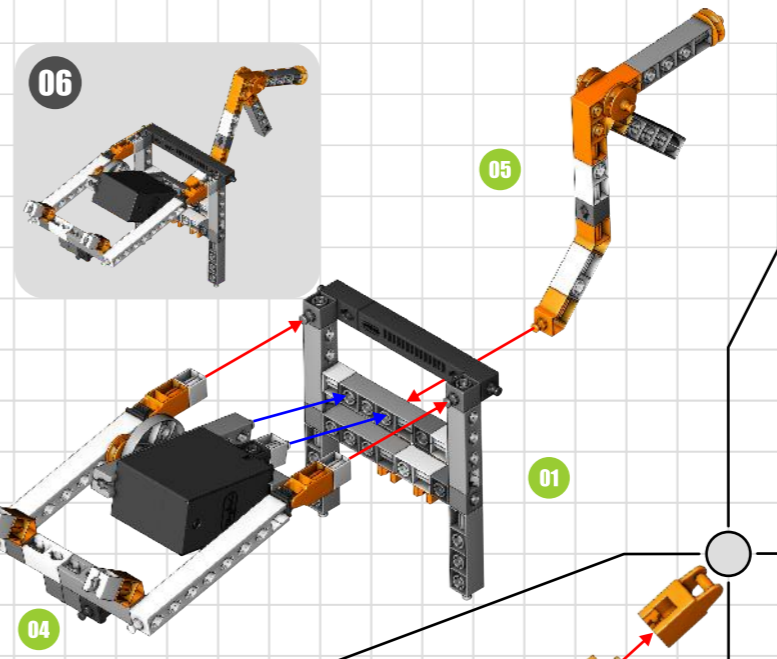
x2

02

03



05

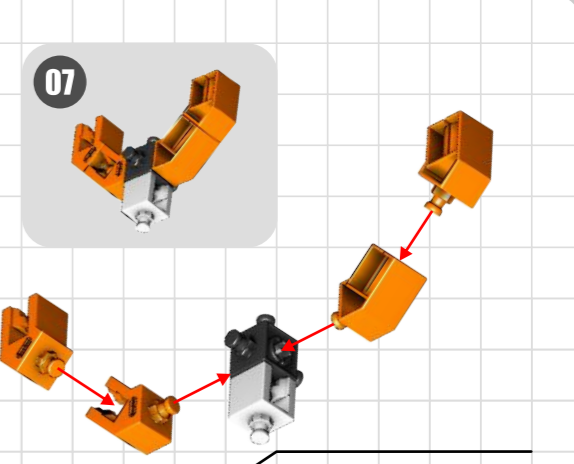


06

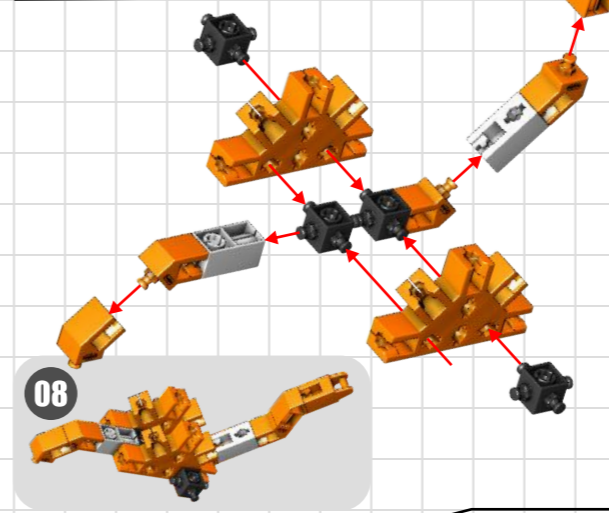
05

01

04



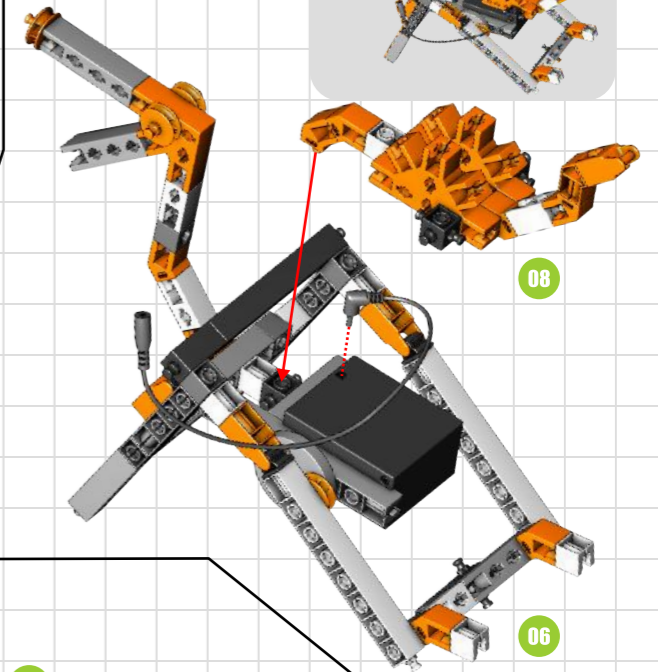
07



08

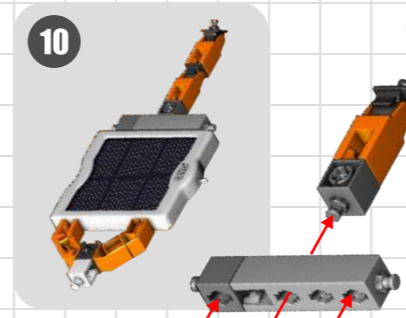


09



08

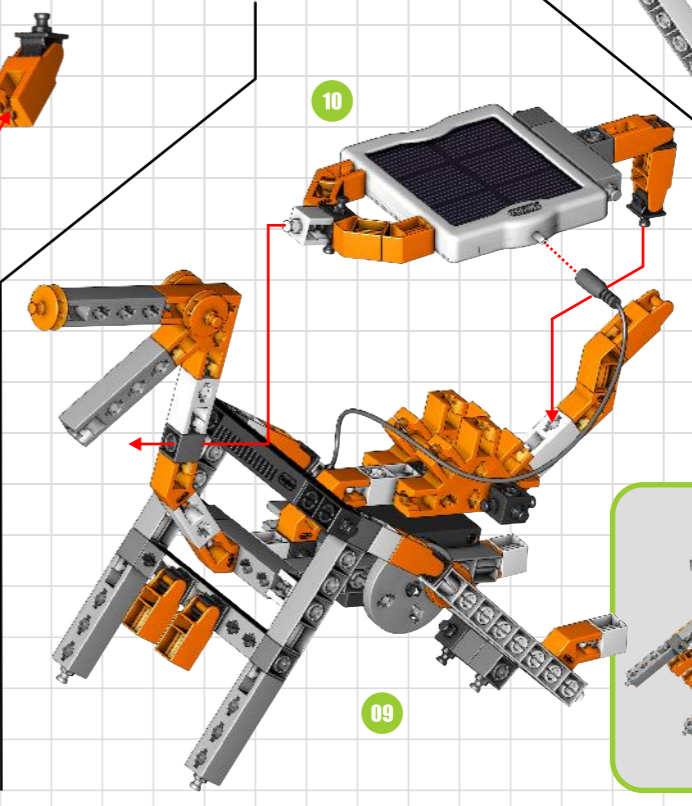
06



10

10

07



09



