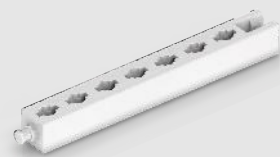


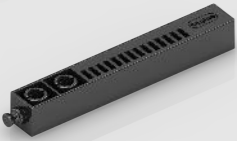


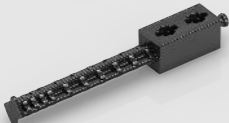





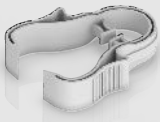



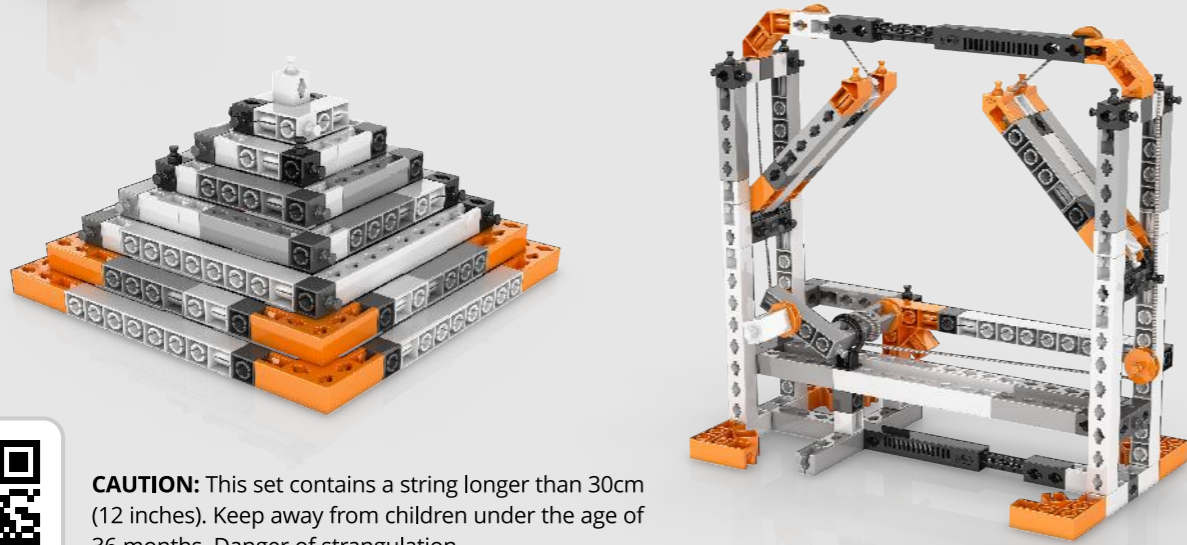


Bill of materials

	x10		x14		x22
	x8		x20		x23
	x8		x20		x12
	x4		x8		x18
	x1		x14		
	x8		x1		



CAUTION: This set contains a string longer than 30cm (12 inches). Keep away from children under the age of 36 months. Danger of strangulation.



© Copyright Engino.net Ltd. All Rights Reserved.

Engino.net Ltd | P.O.Box 72100, 4200 Limassol, Cyprus, European Union
Tel.: +357 25821960, Fax: +357 25821961
Email: info@engino.com, Website: www.engino.com

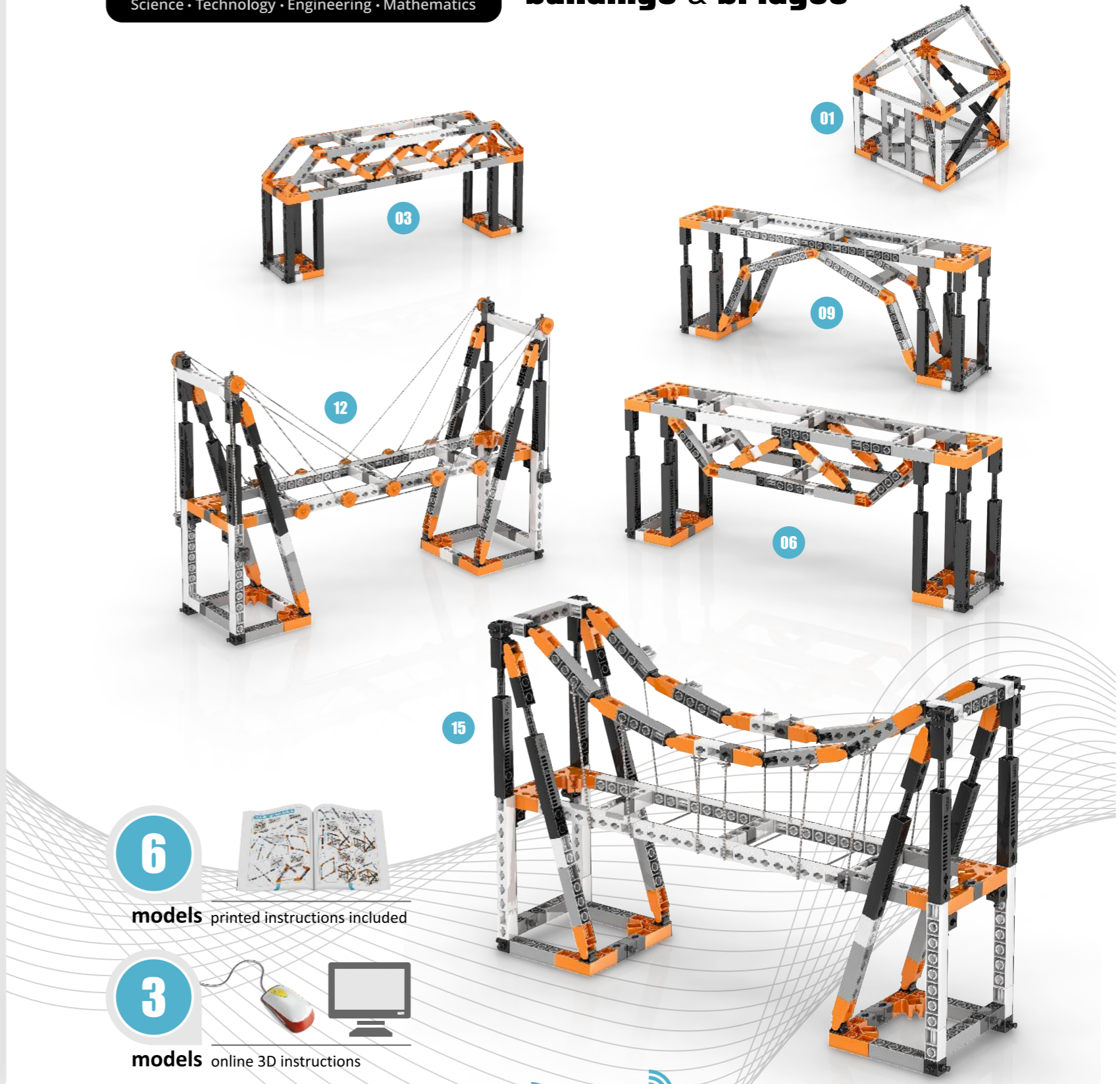


WARNING:
CHOKING HAZARD - Small parts.
Not for children under 3 yrs.



STRUCTURES

buildings & bridges



6 models printed instructions included

3 models online 3D instructions

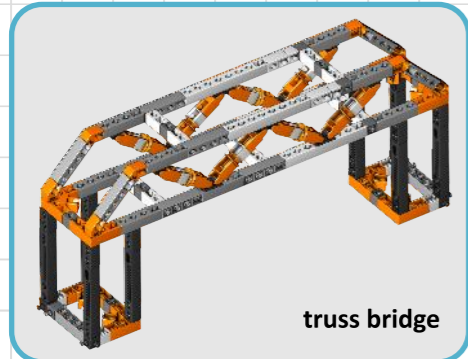
15 models to build



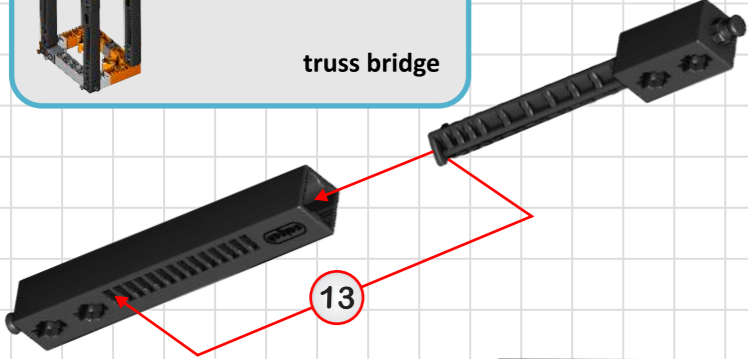
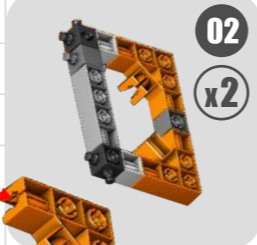
3D interactive instructions
to download on your smart device

9 models to build

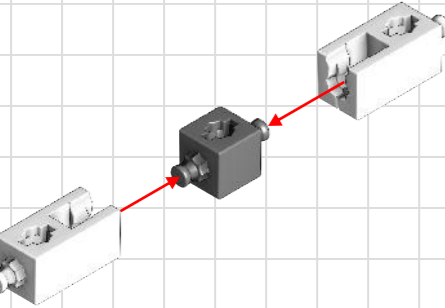
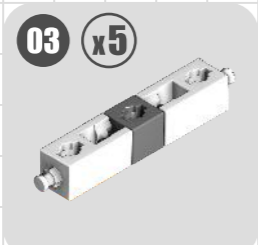
8-16+



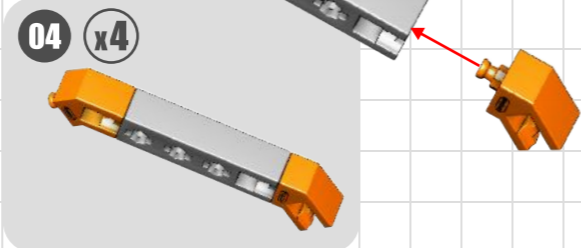
truss bridge



13



03

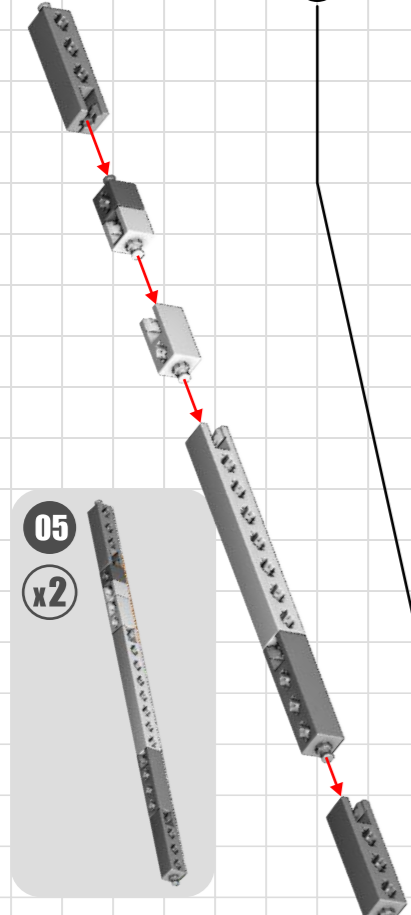


04



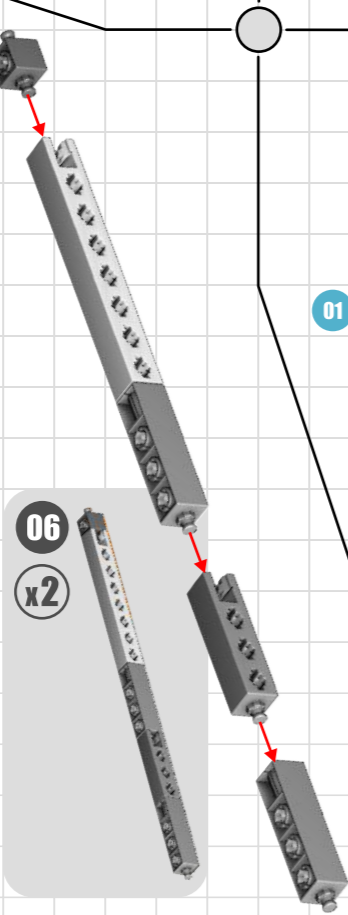
07

x2



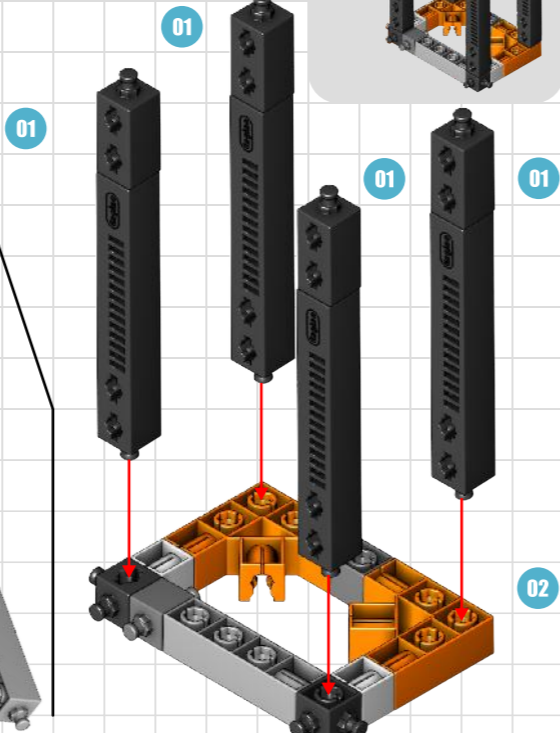
05

x2



06

x2



01

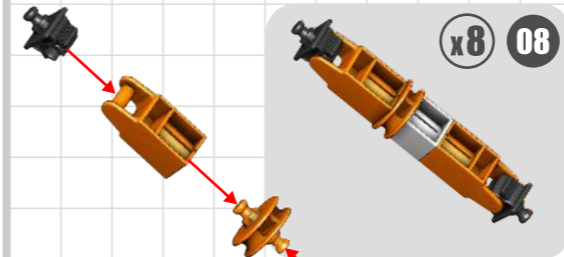
01

01

01

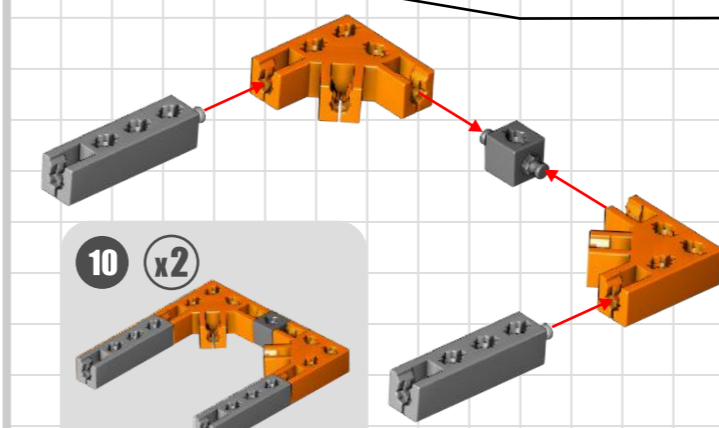
02

03



x8

08

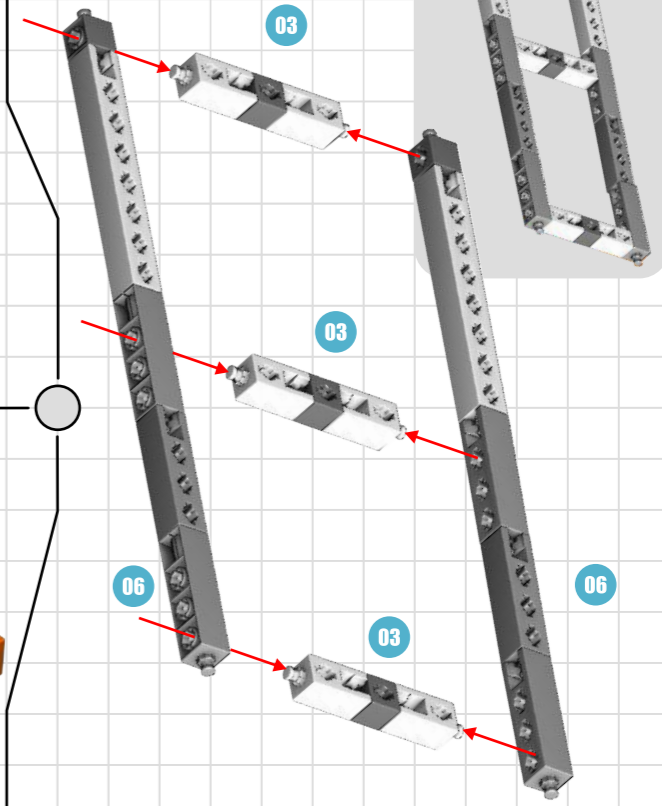


10

x2



09



03

03

03

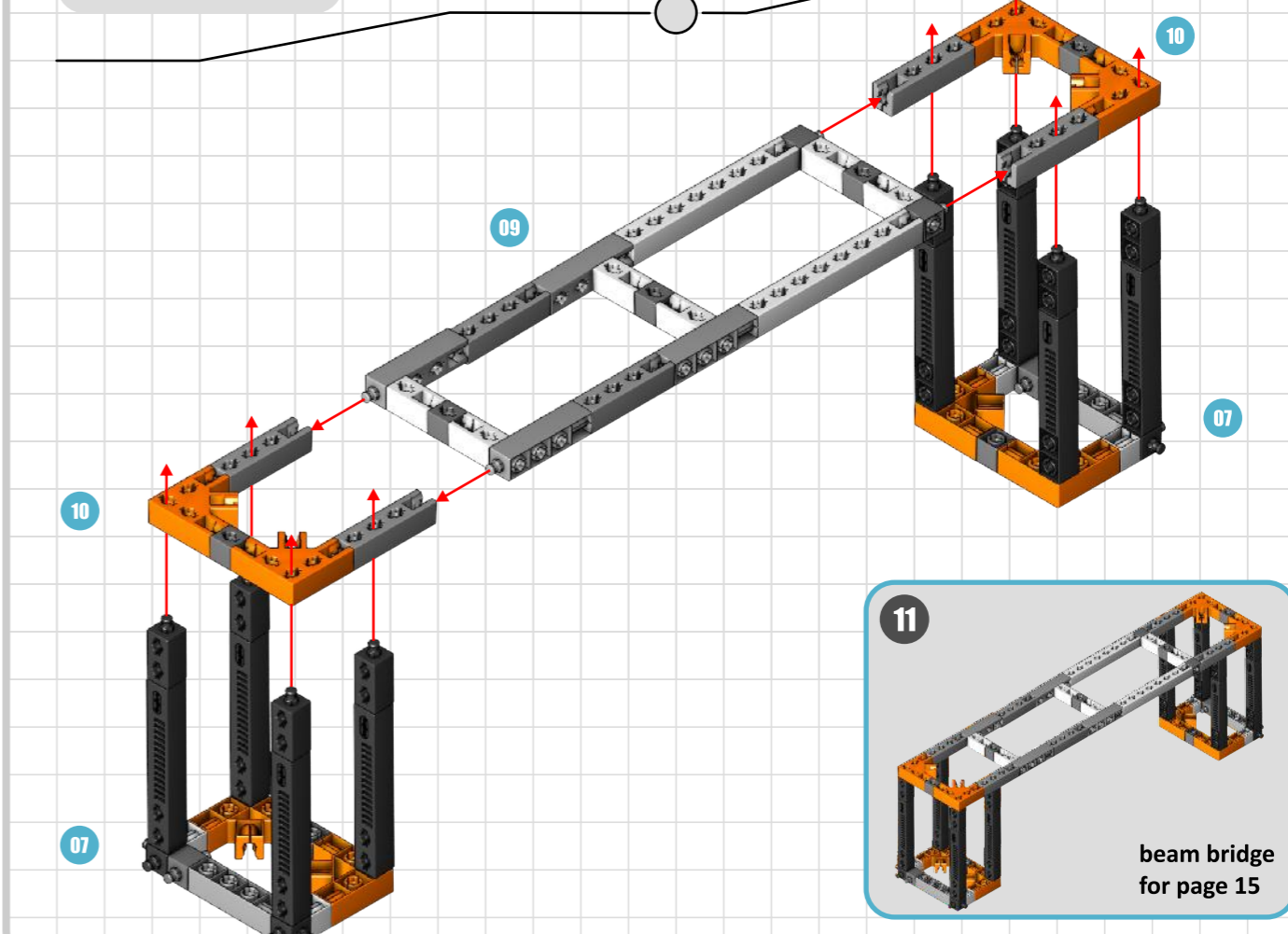
03

06

06

06

06



10

07

09

10

07

11

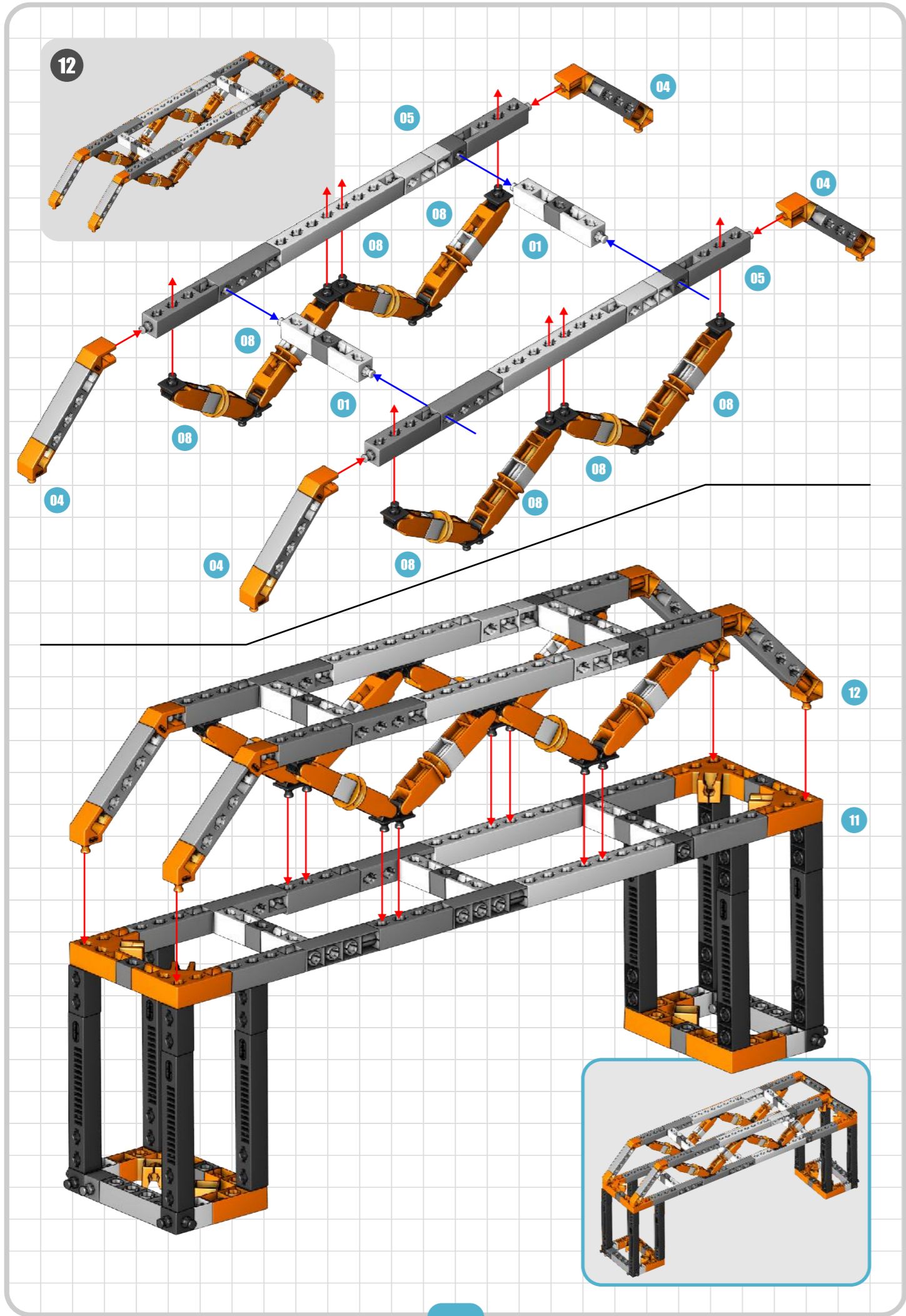
11

11

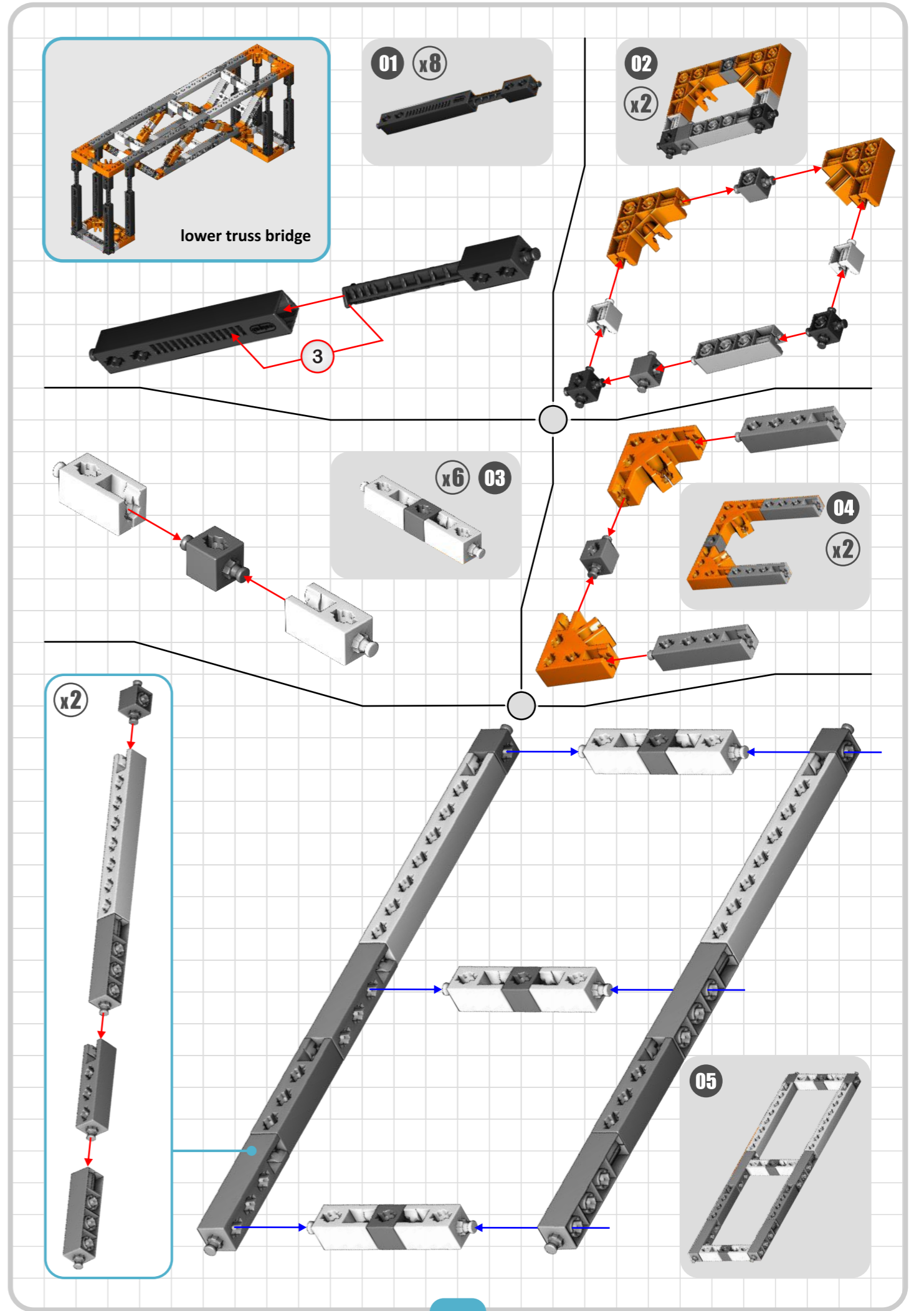
11

beam bridge for page 15

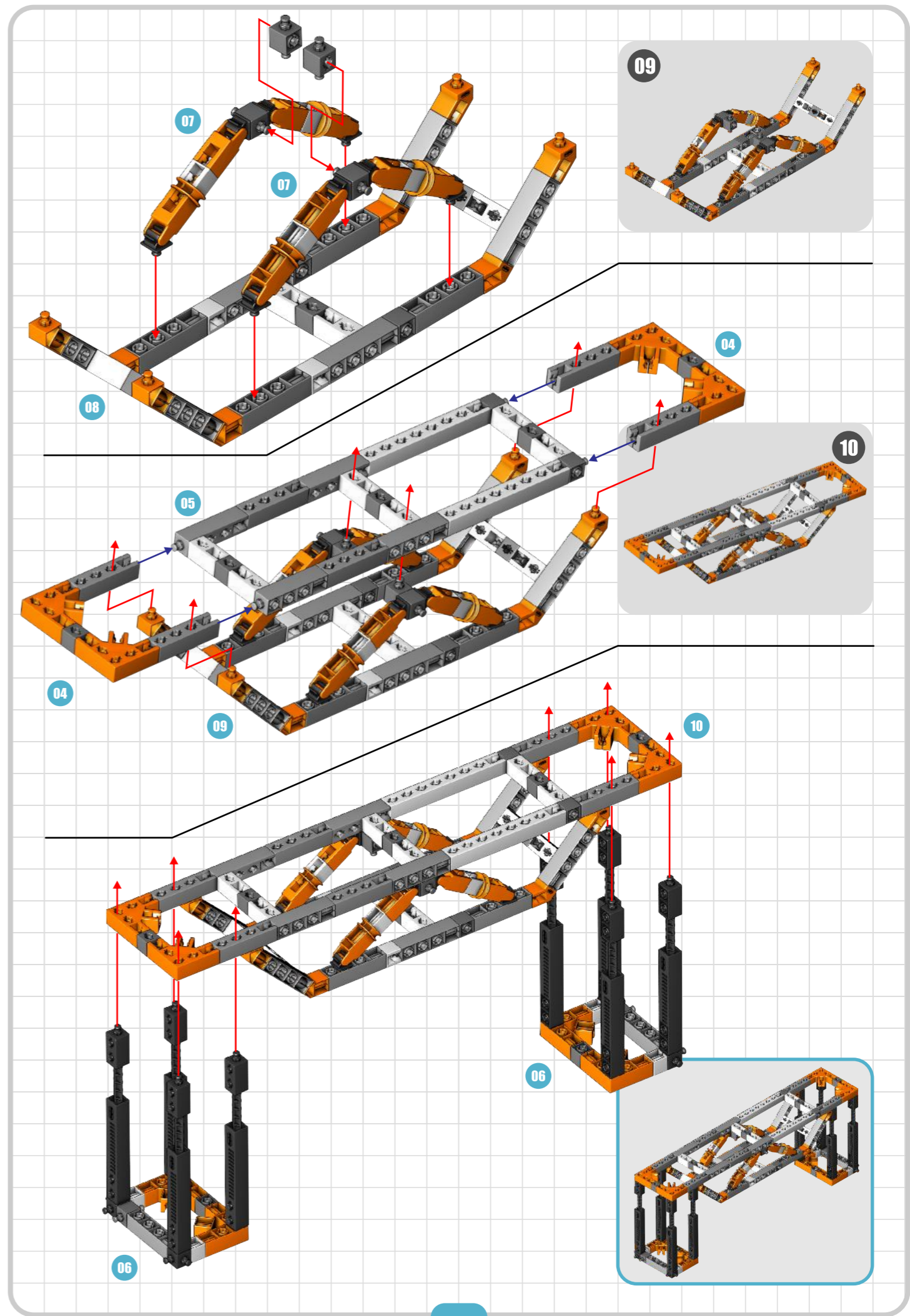
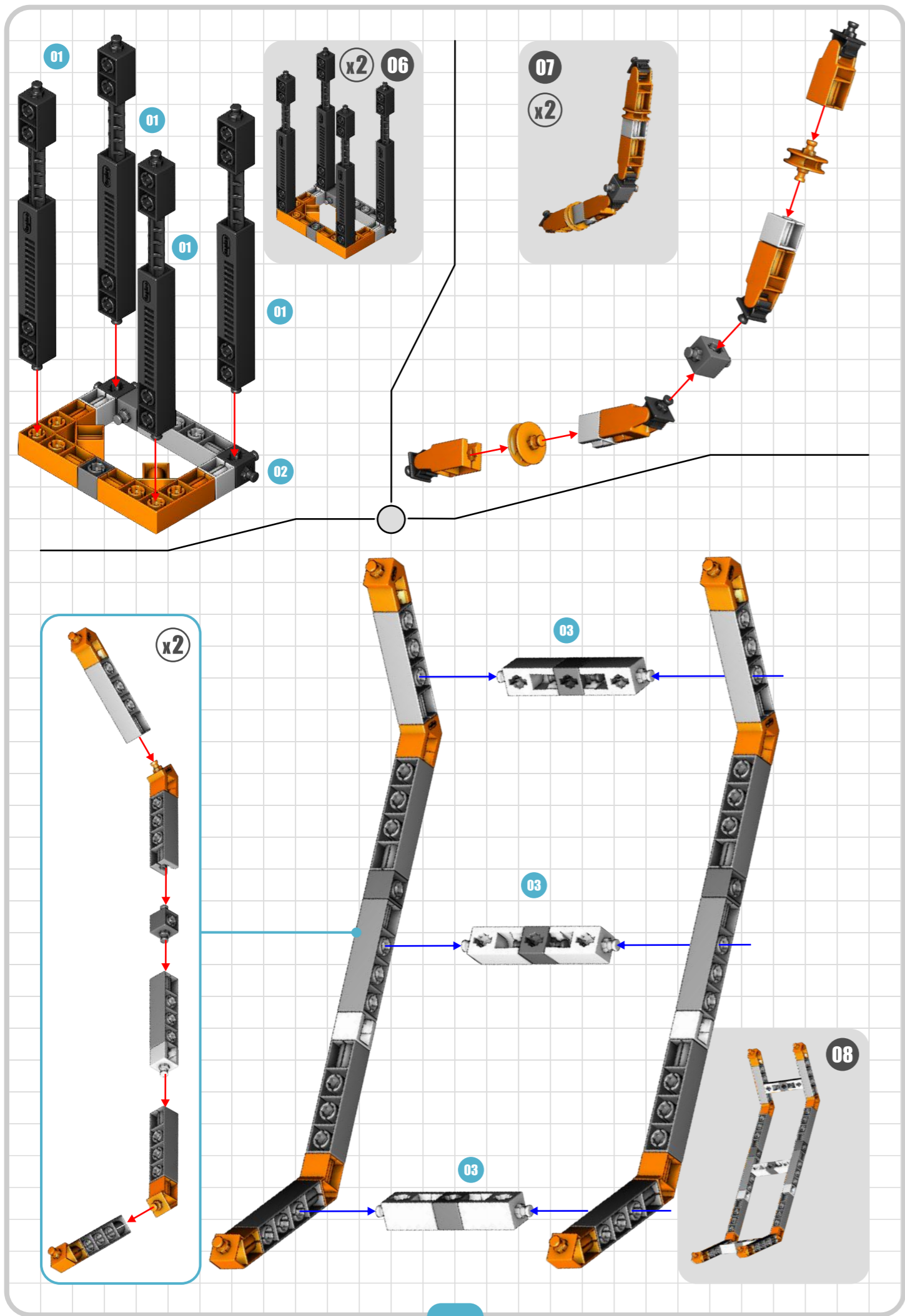
04

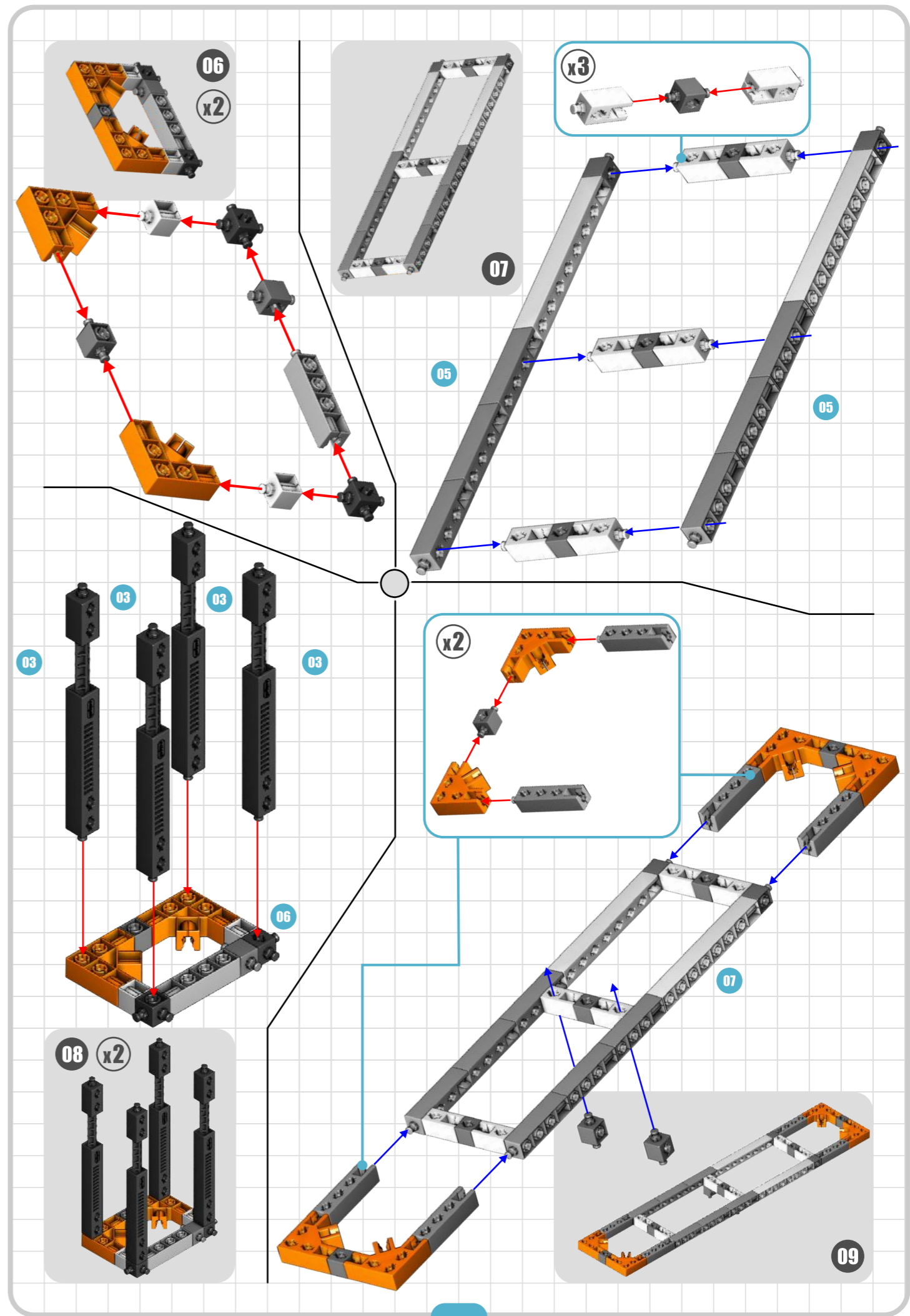
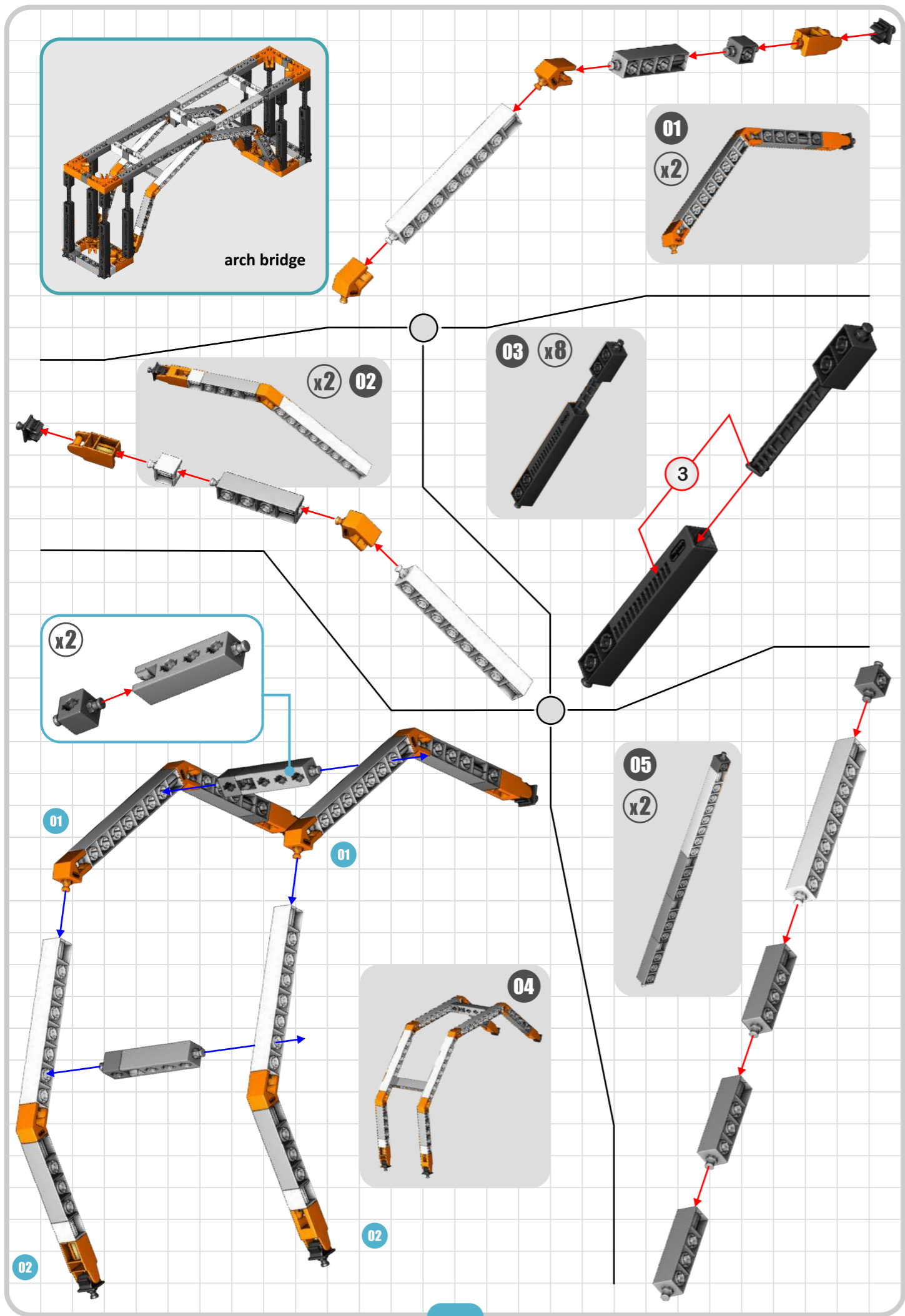


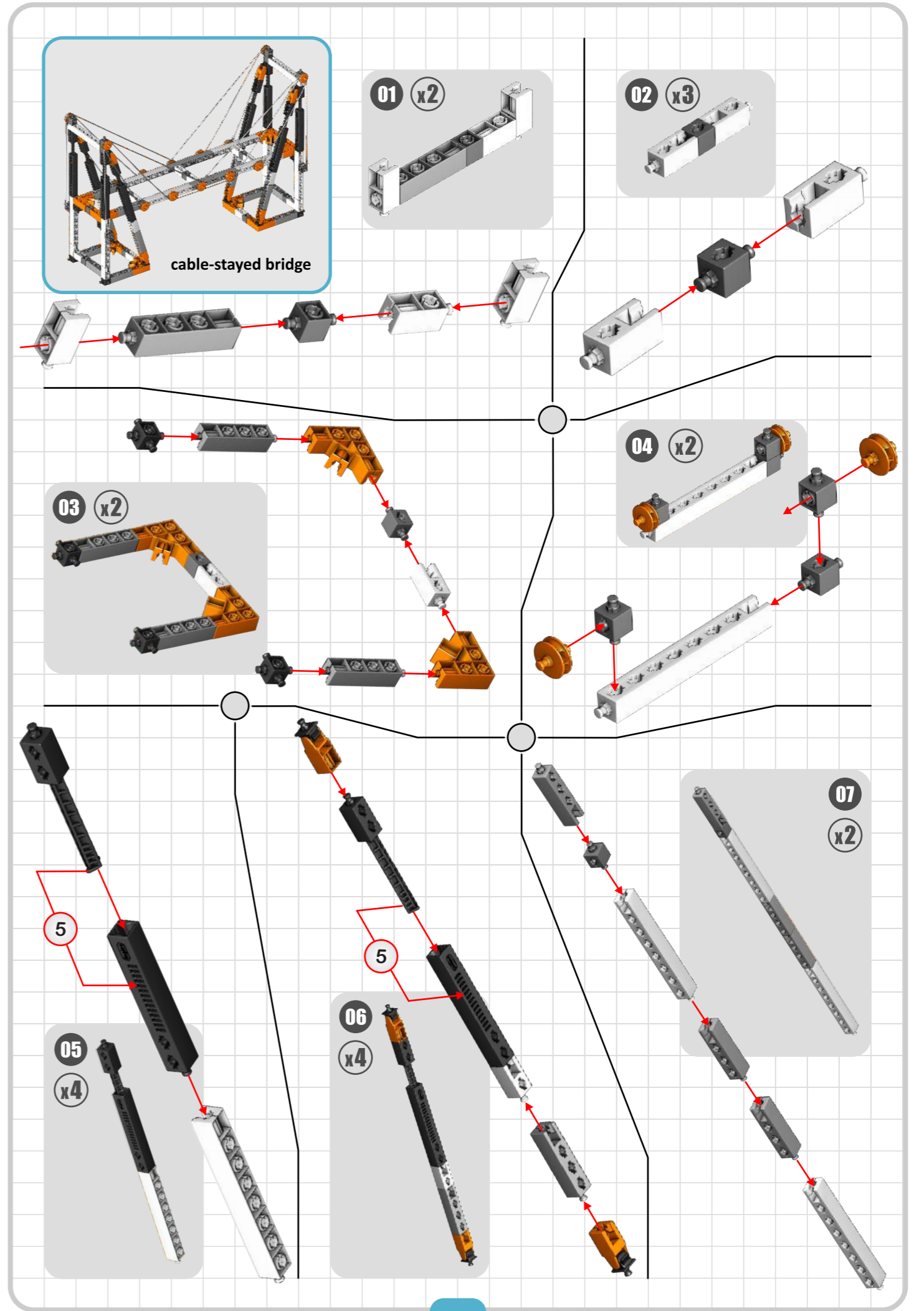
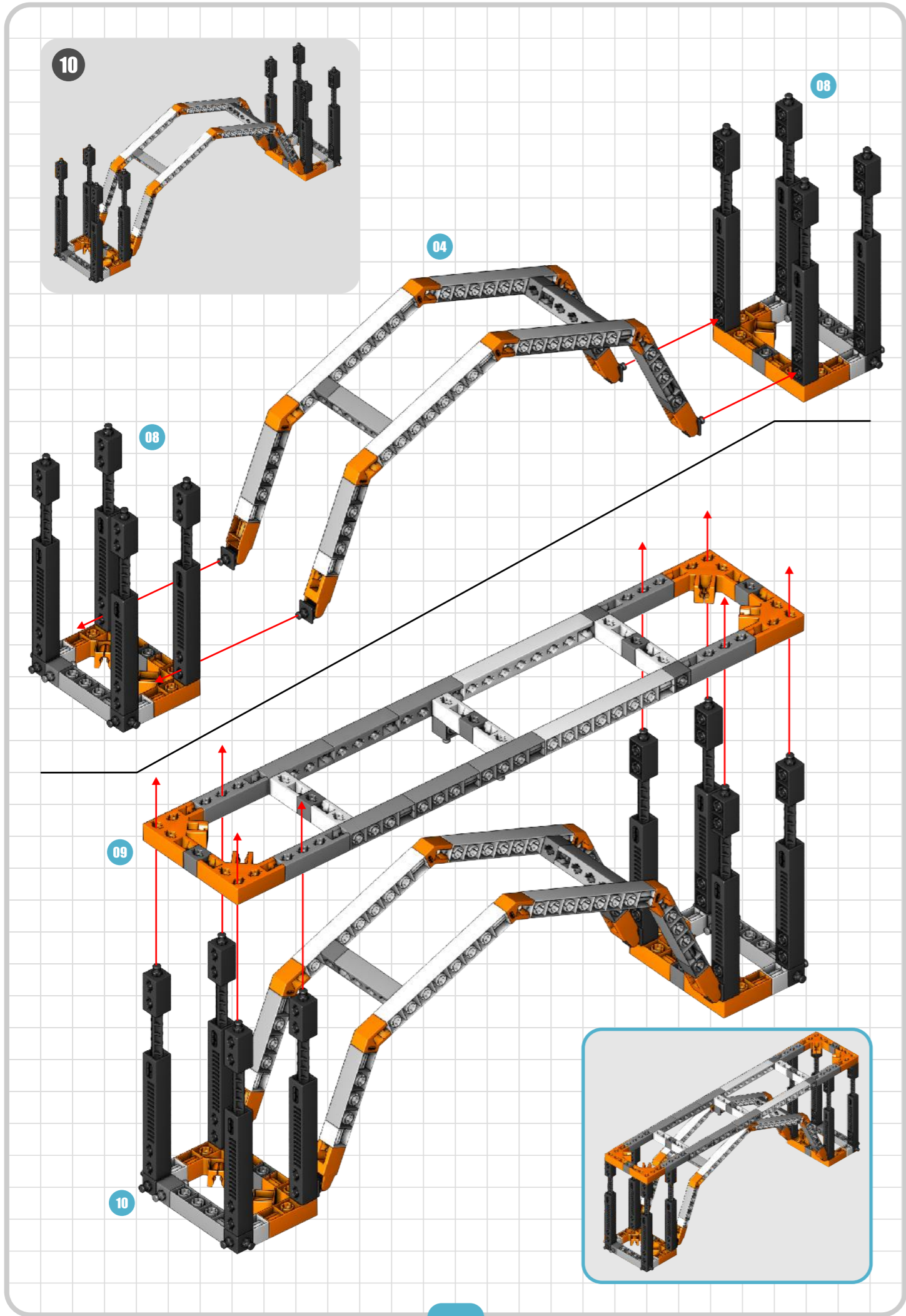
05

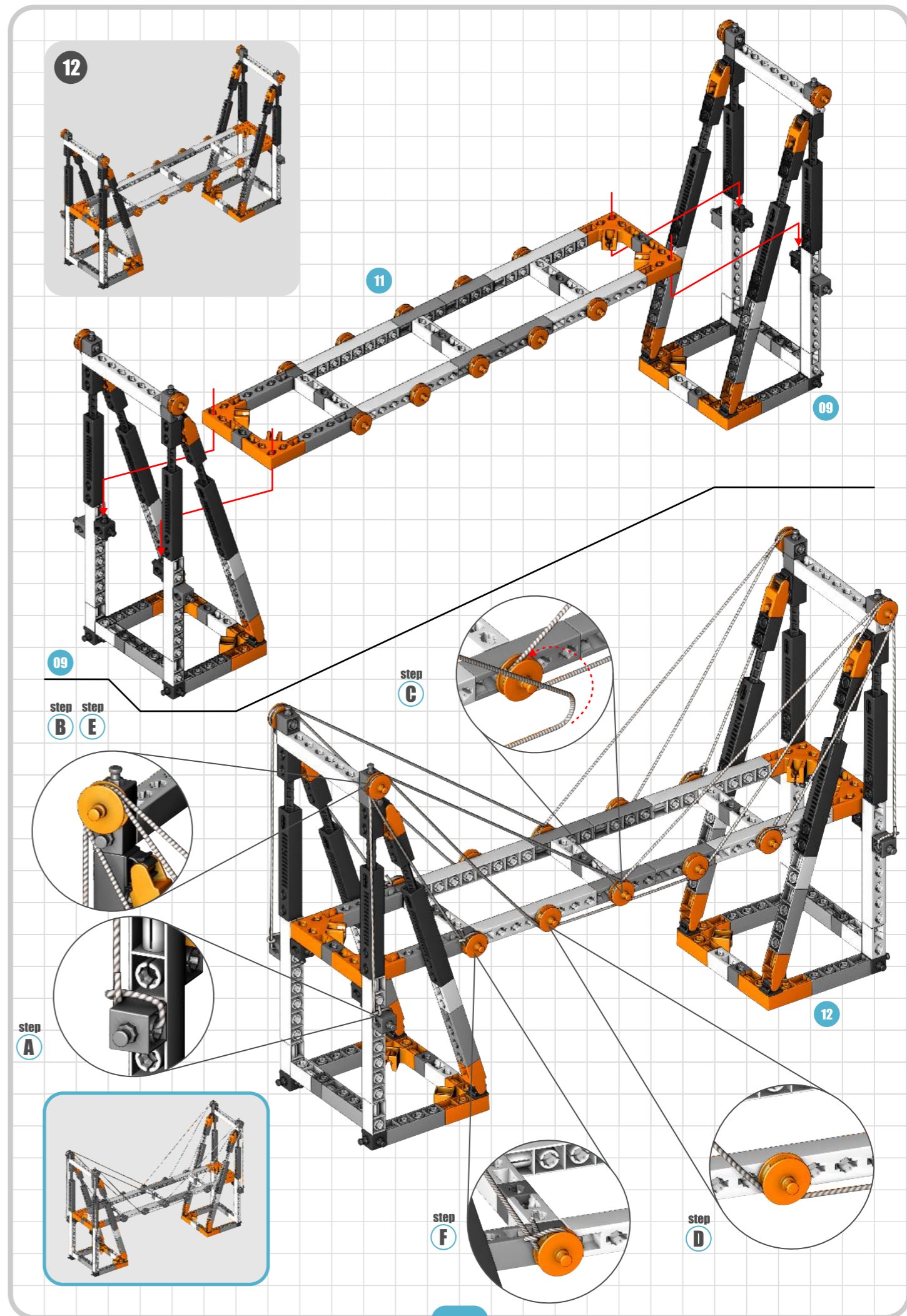
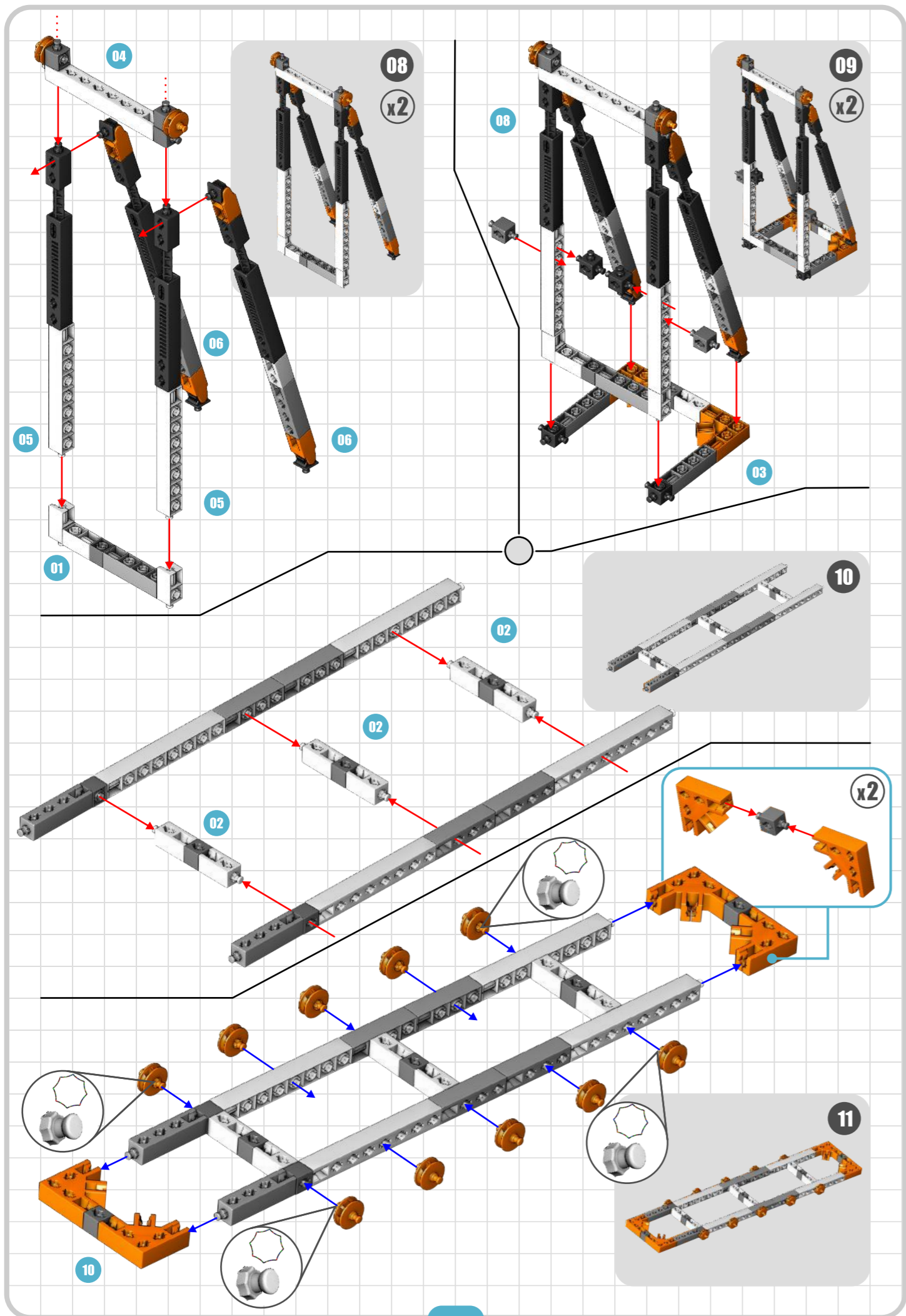


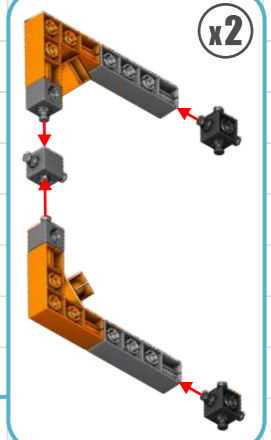
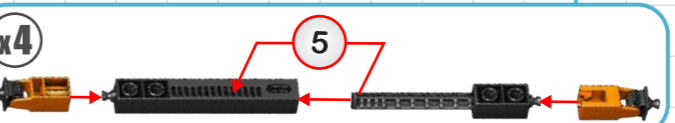
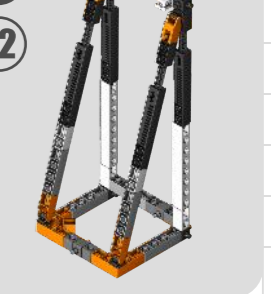
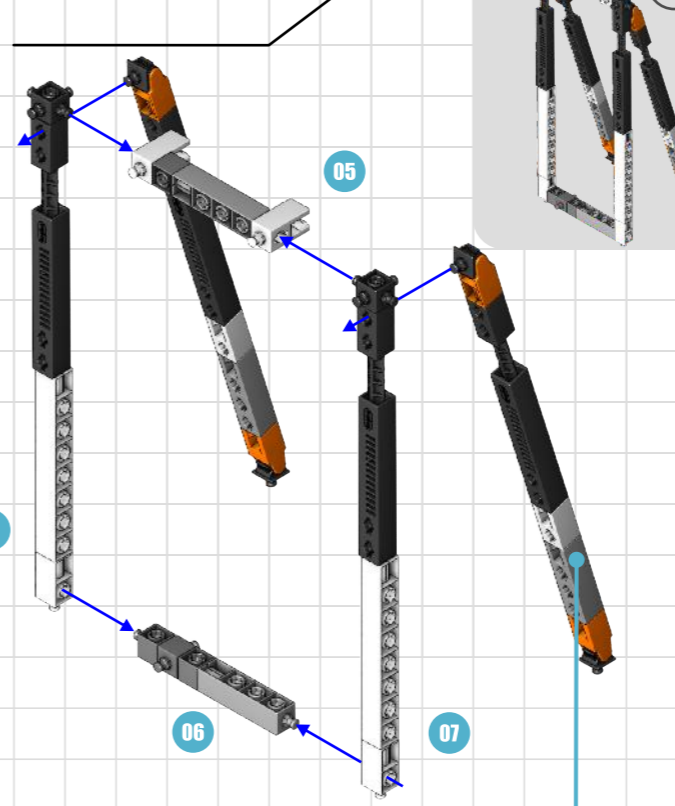
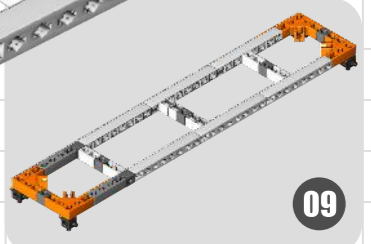
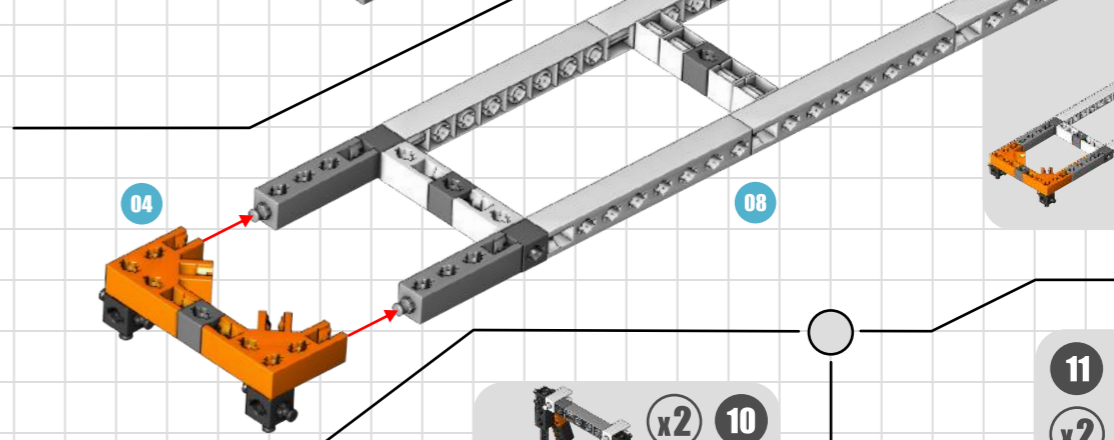
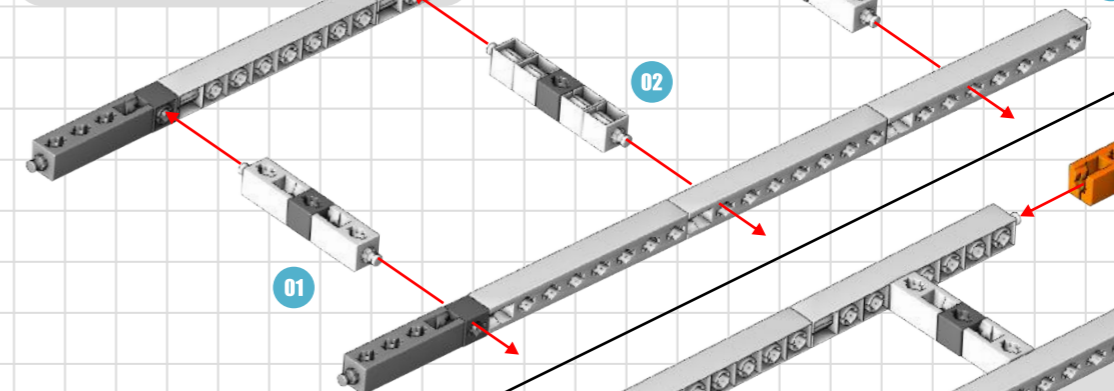
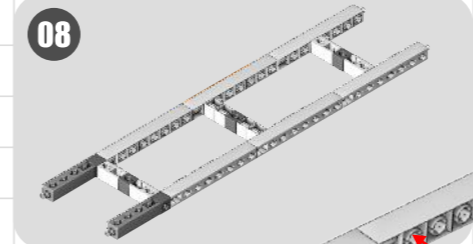
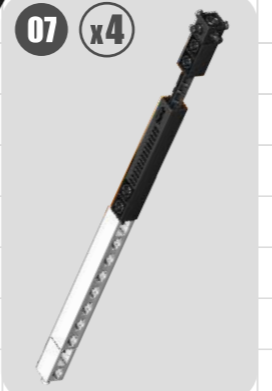
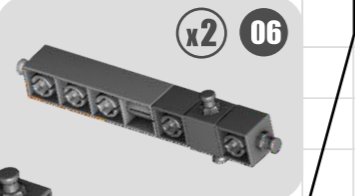
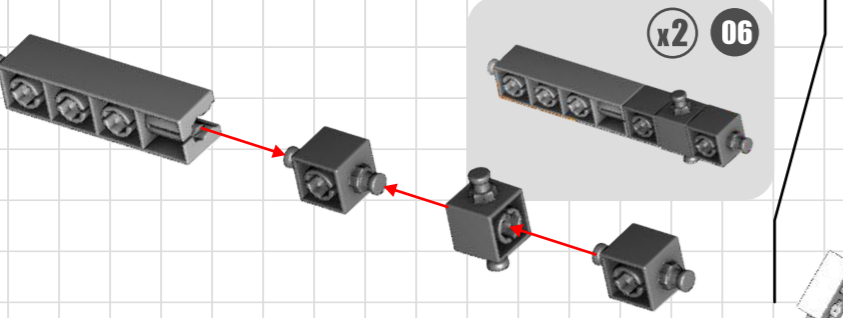
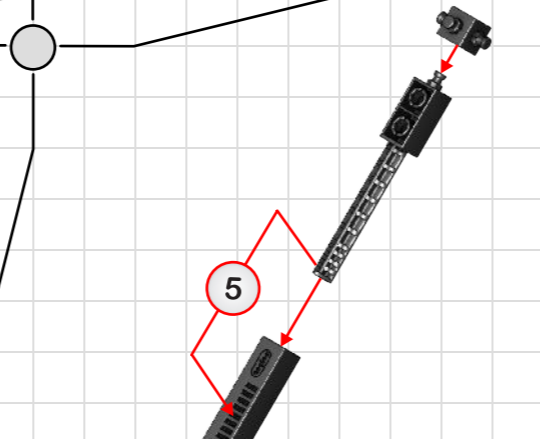
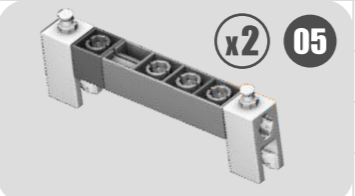
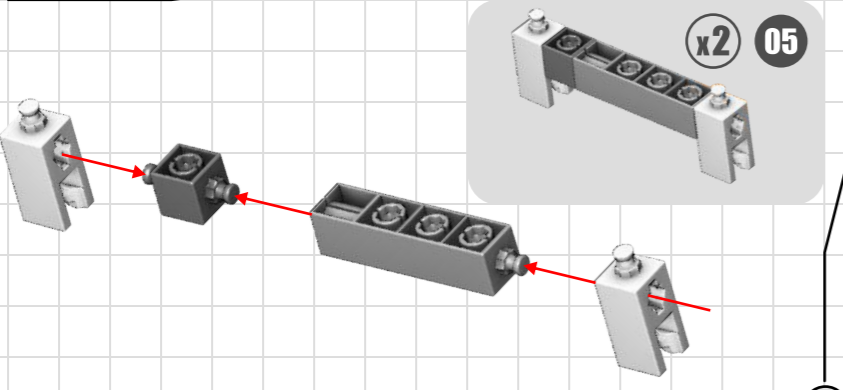
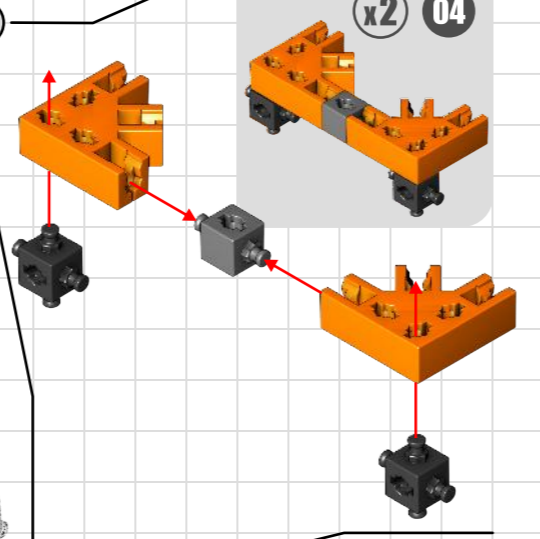
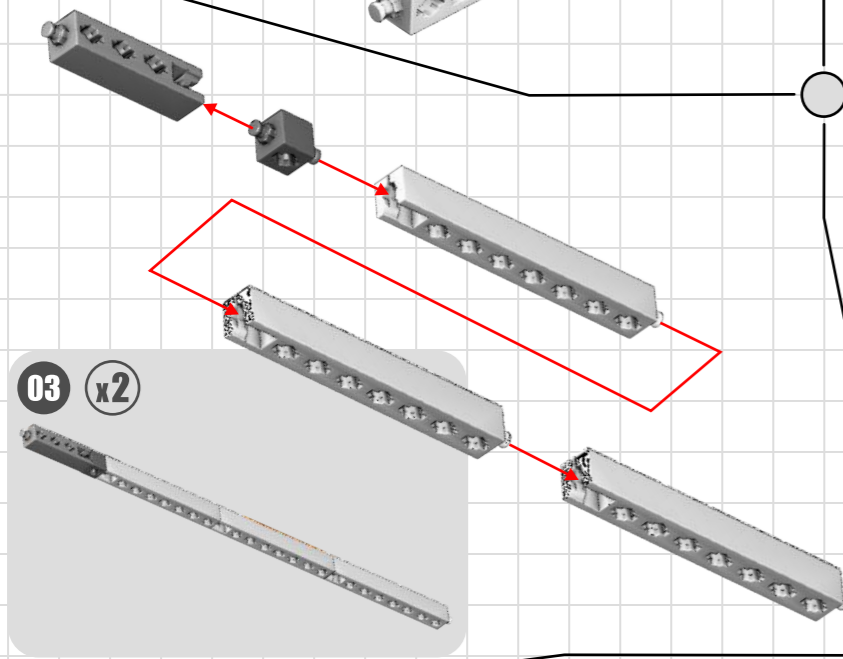
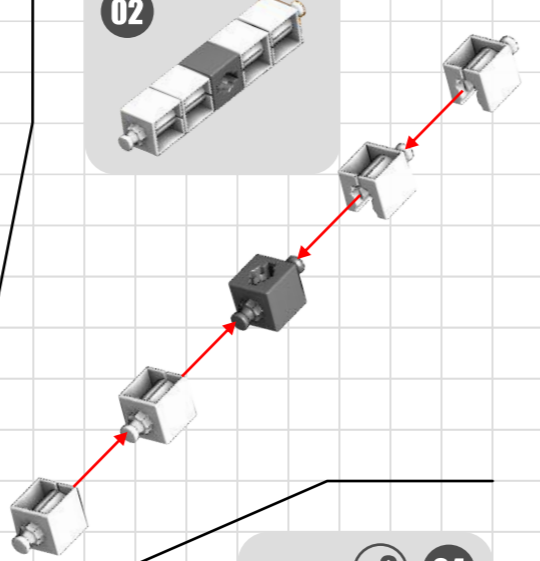
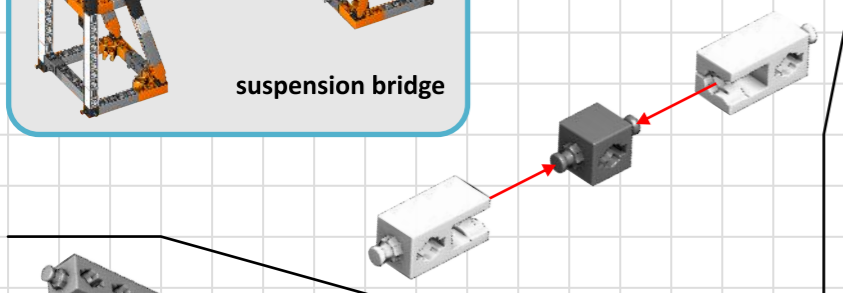
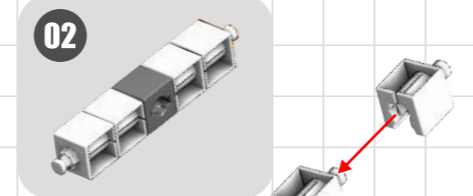
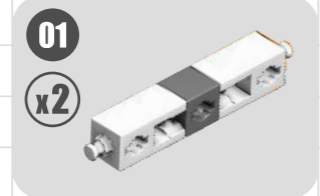
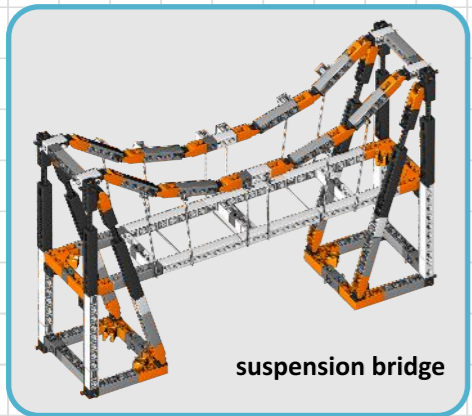
06



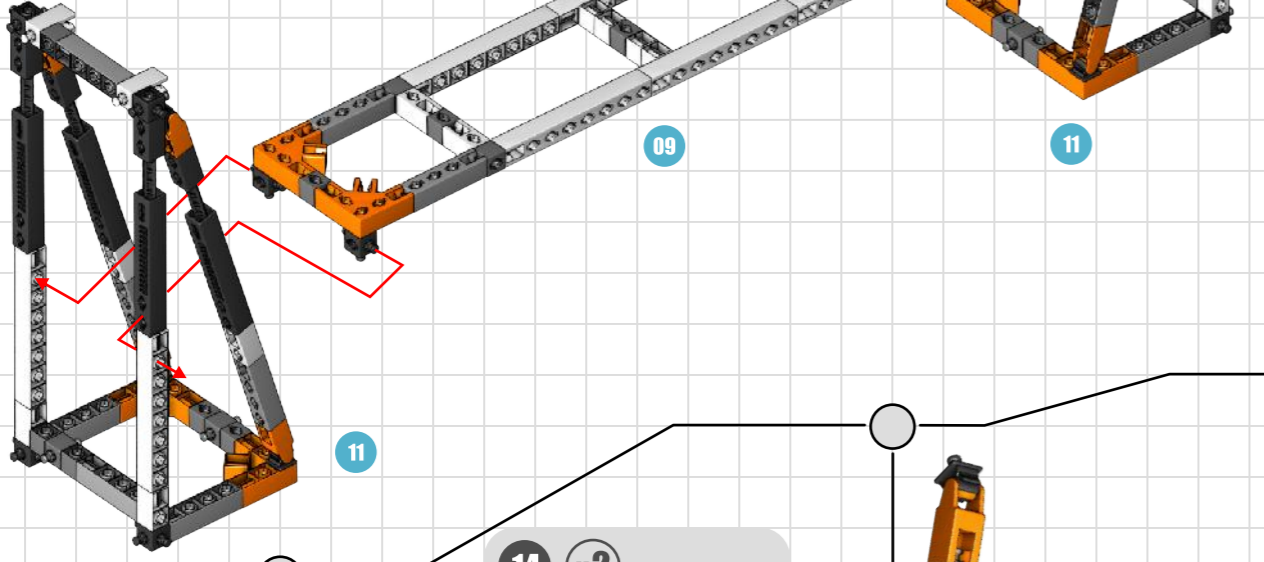
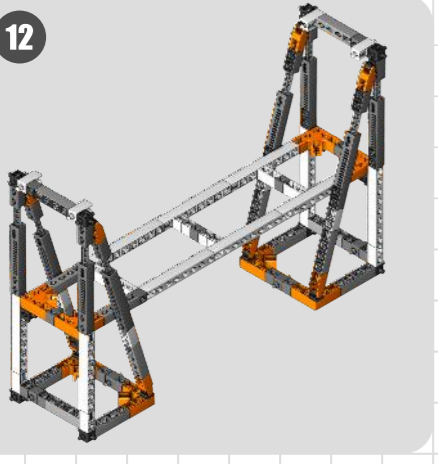








12



09

11

11

14 x2



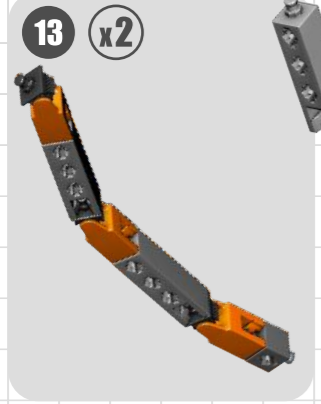
15 x2



14

13

13 x2

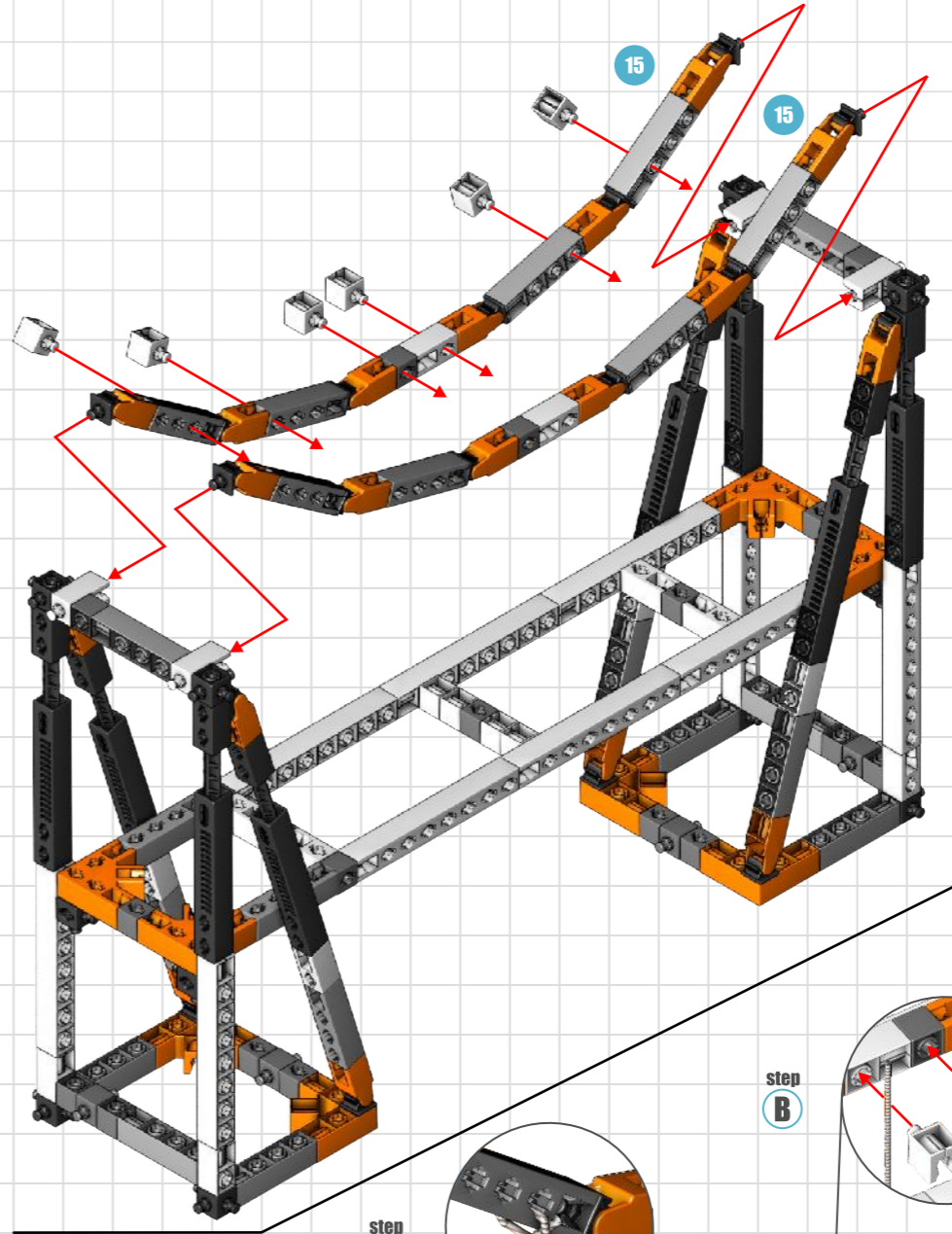


17

15

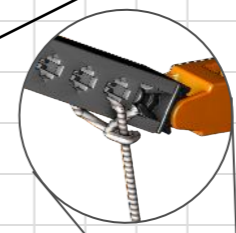
15

16

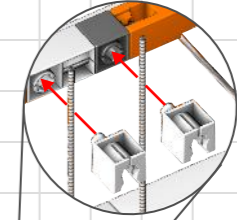


12

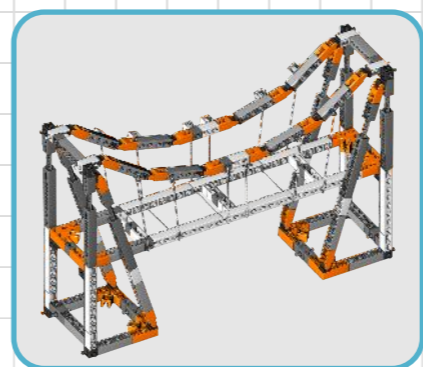
step A



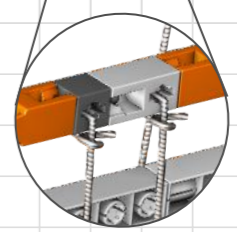
step B



16



step A



18