

Bill of materials

	x10		x7		x4
	x2		x4		x2
	x2		x4		x8
	x1		x4		x12
	x1		x9		x12
	x4		x2		x12
	x4		x4		x2
	x8		x4		x1
	x2		x3		x1
	x4		x1		

CAUTION: This set contains a string longer than 30cm (12 inches). Keep away from children under the age of 36 months. Danger of strangulation.

© Copyright Engino.net Ltd. All Rights Reserved.



Engino.net Ltd | P.O.Box 72100, 4200 Limassol, Cyprus, European Union
 Tel.: +357 25821960, Fax: +357 25821961
 Email: info@engino.com, Website: www.engino.com

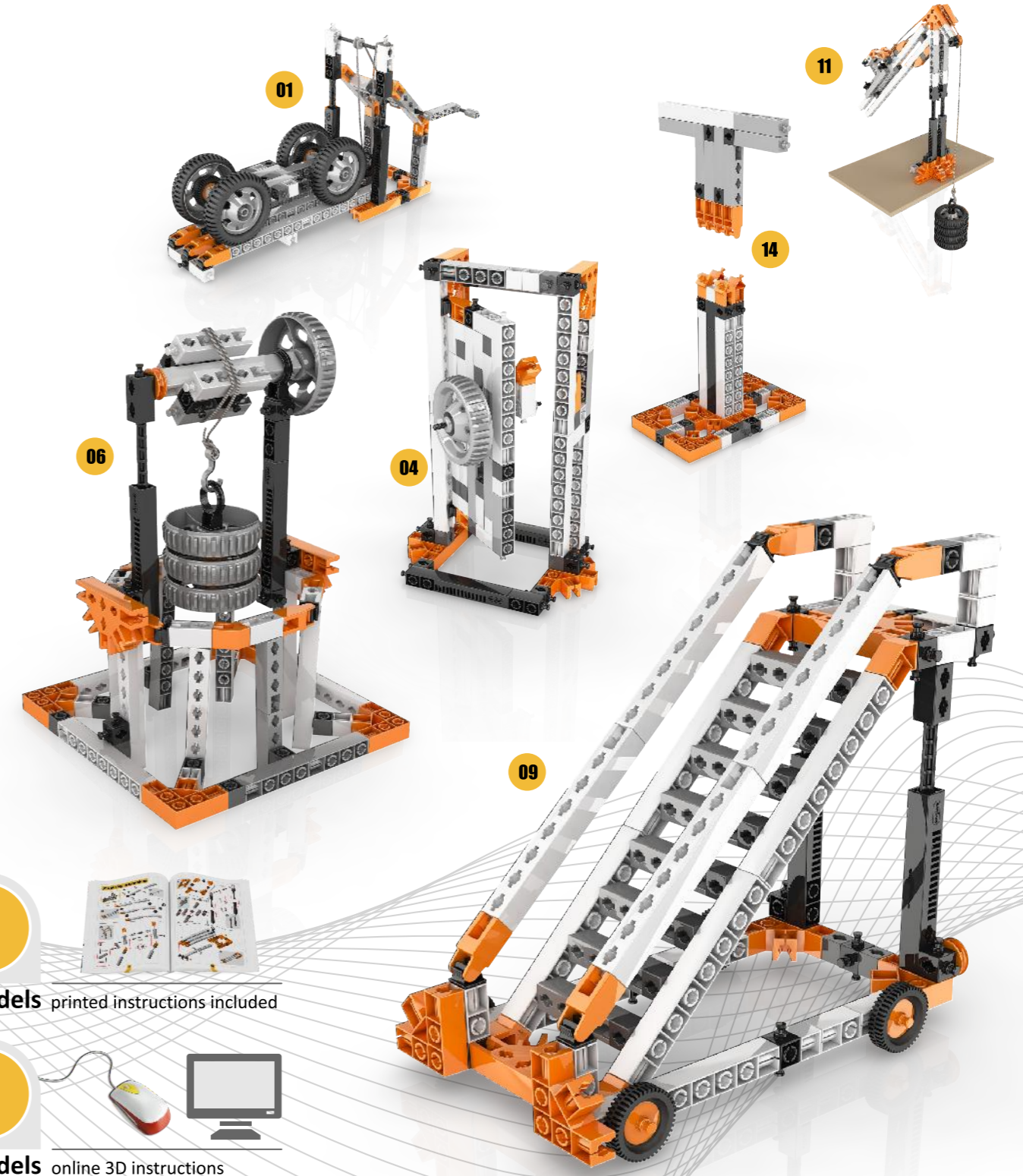


WARNING:
 CHOKING HAZARD - Small parts.
 Not for children under 3 yrs.



MECHANICS

wheels, axles & inclined planes



6 models printed instructions included

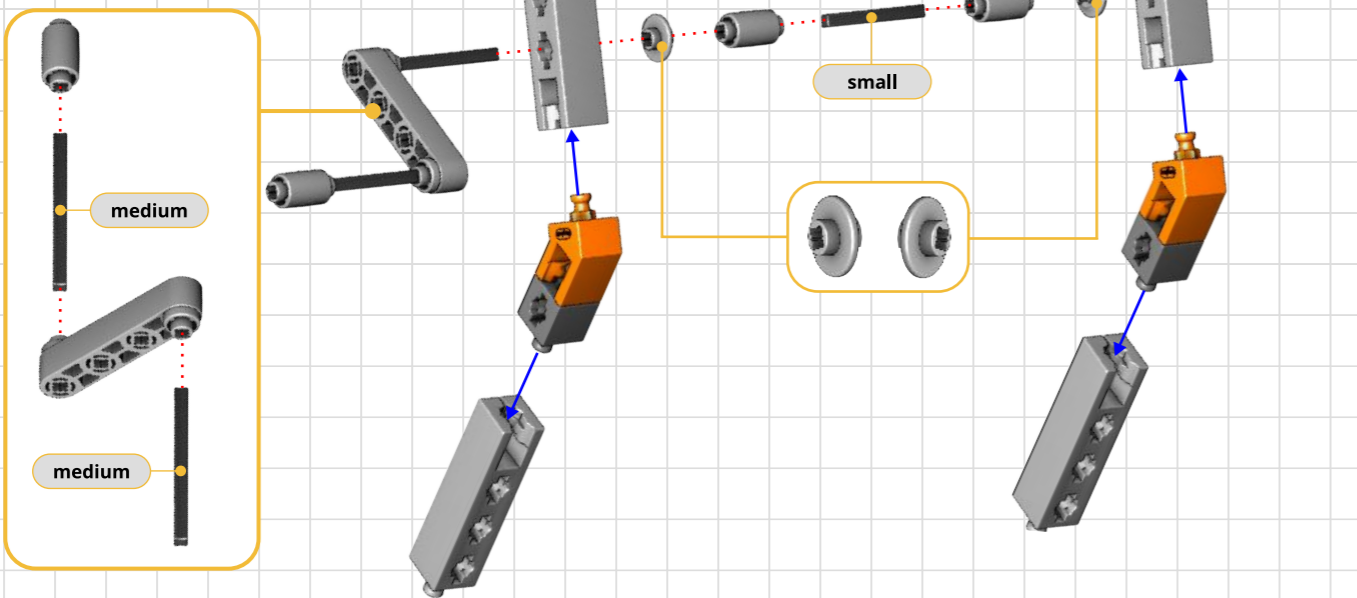
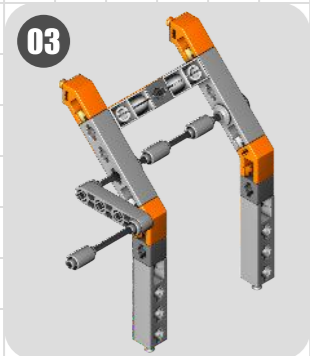
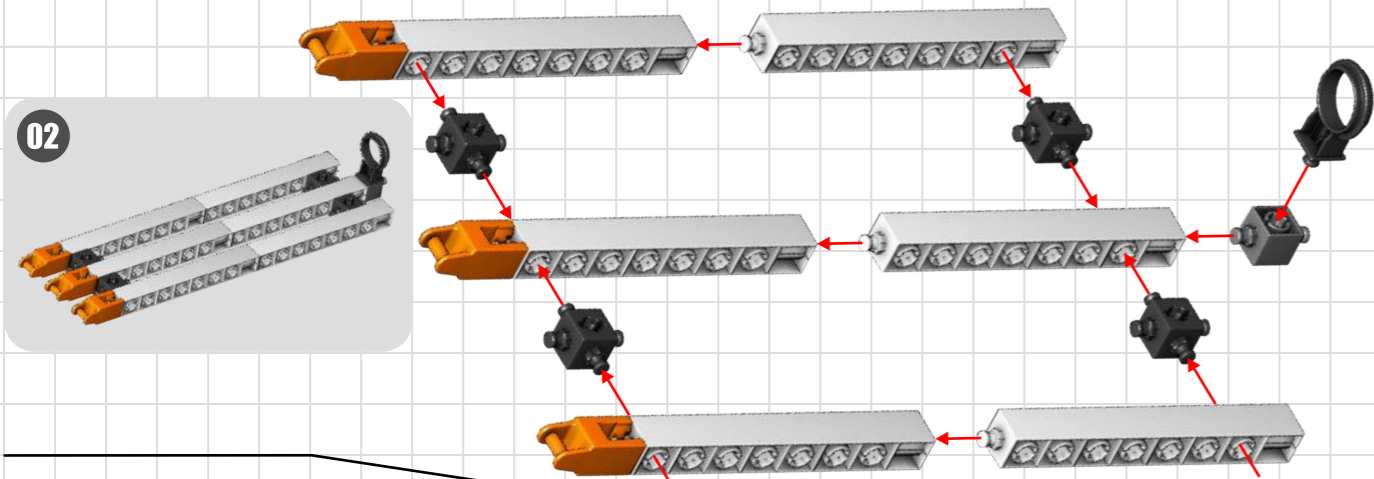
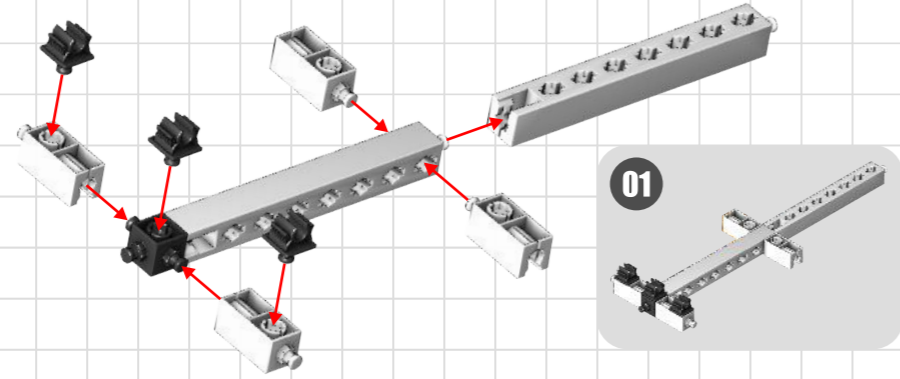
8 models online 3D instructions

+ **14** models to build **8-16+**

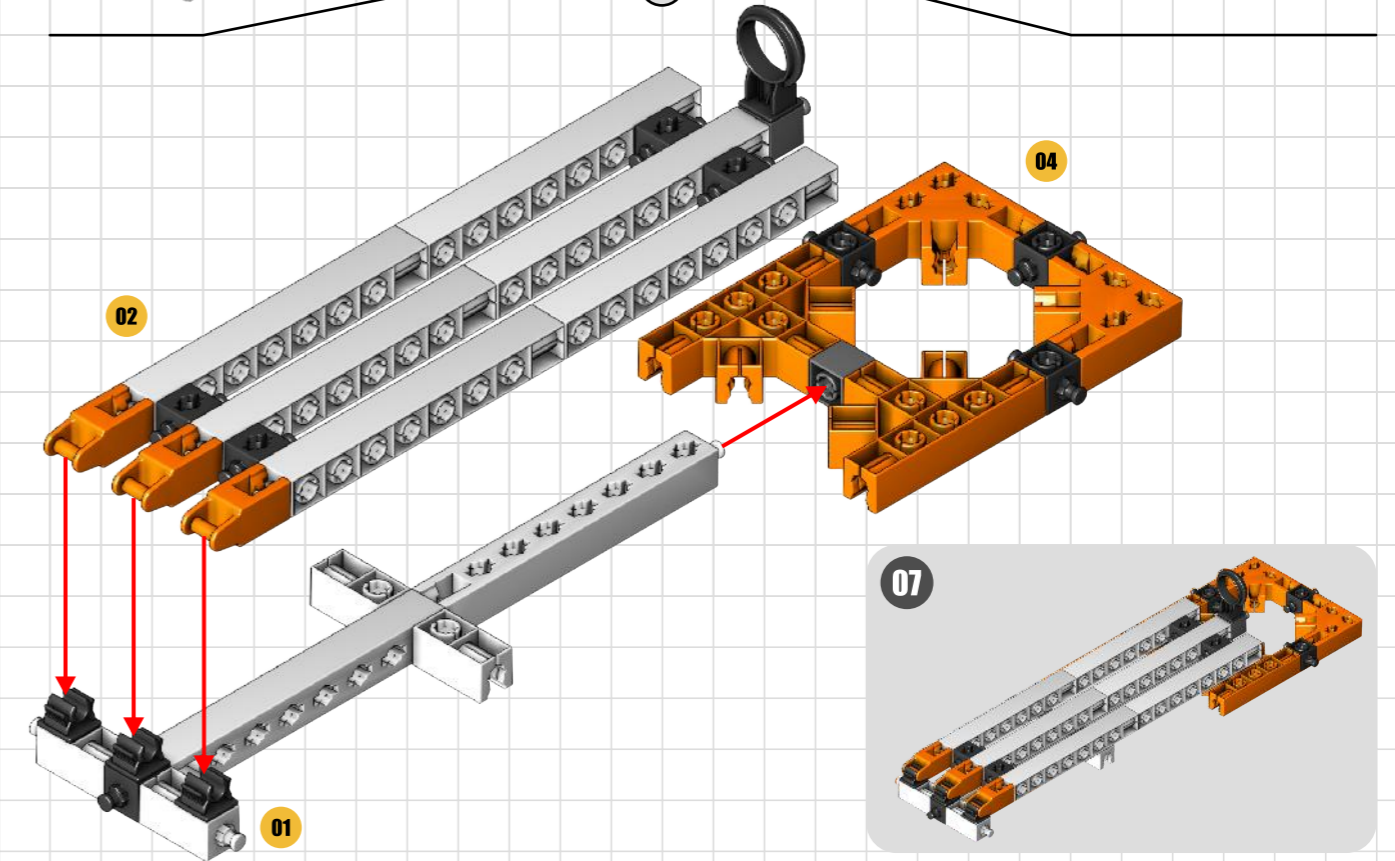
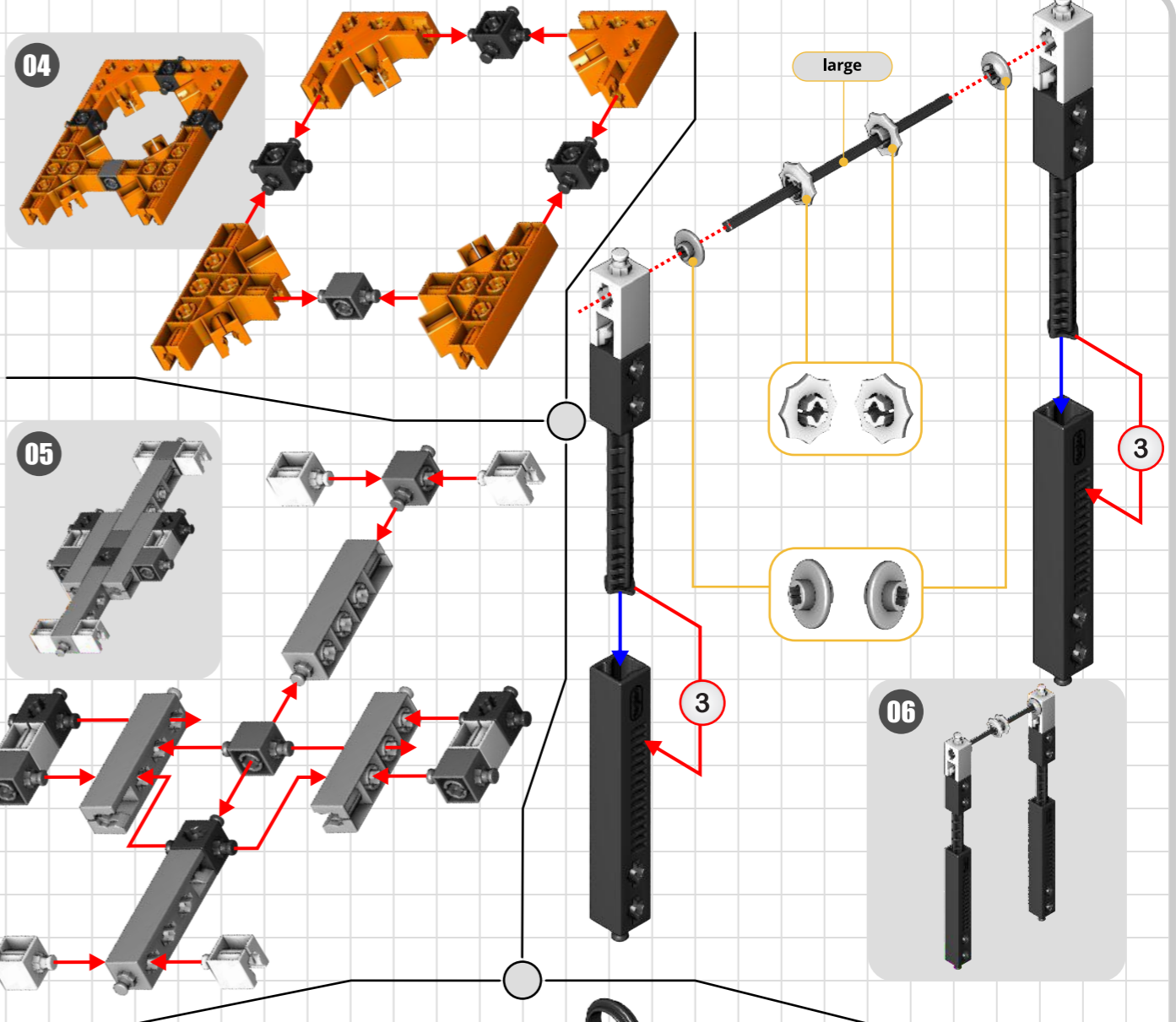
3D interactive instructions
 to download on your smart device



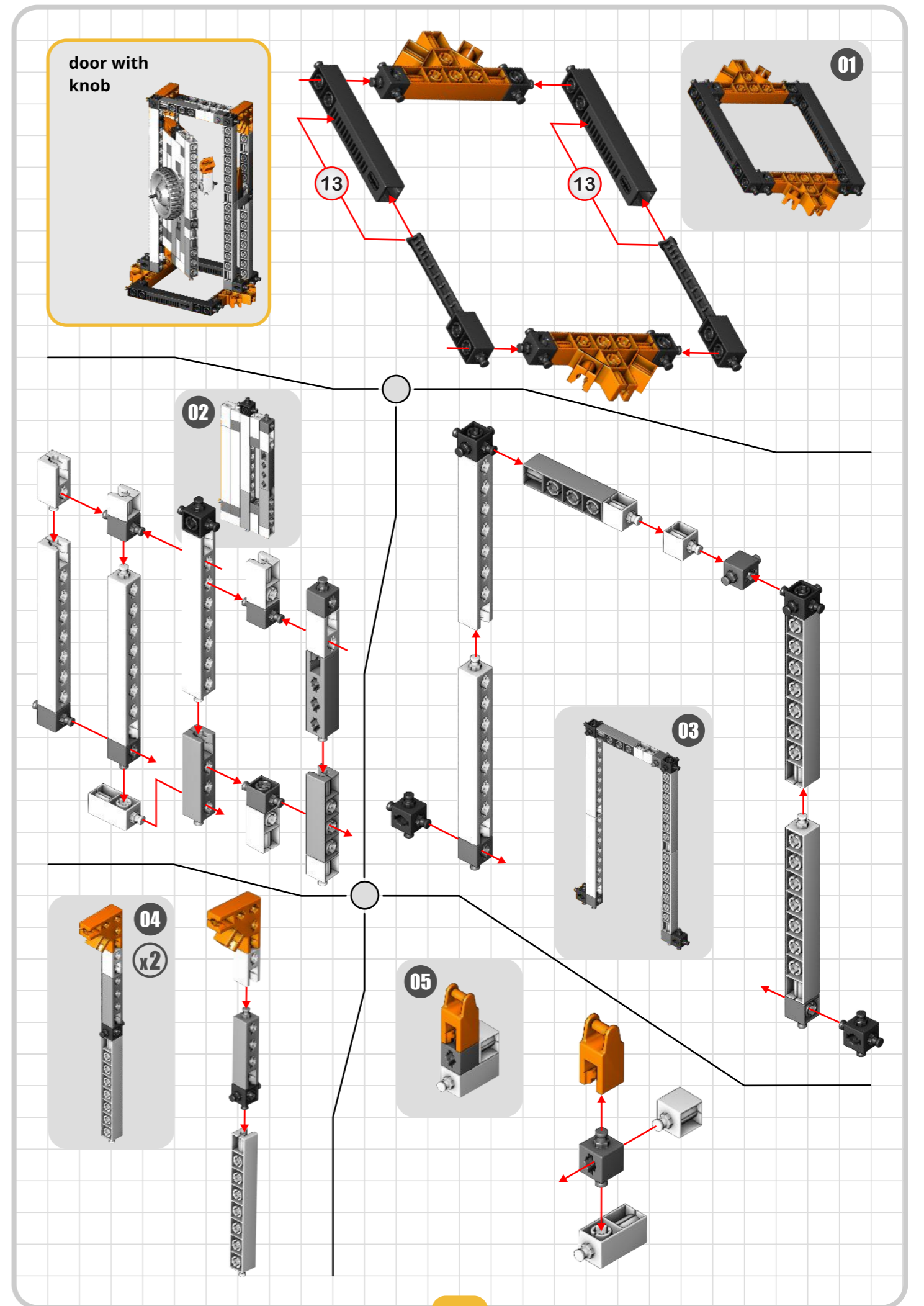
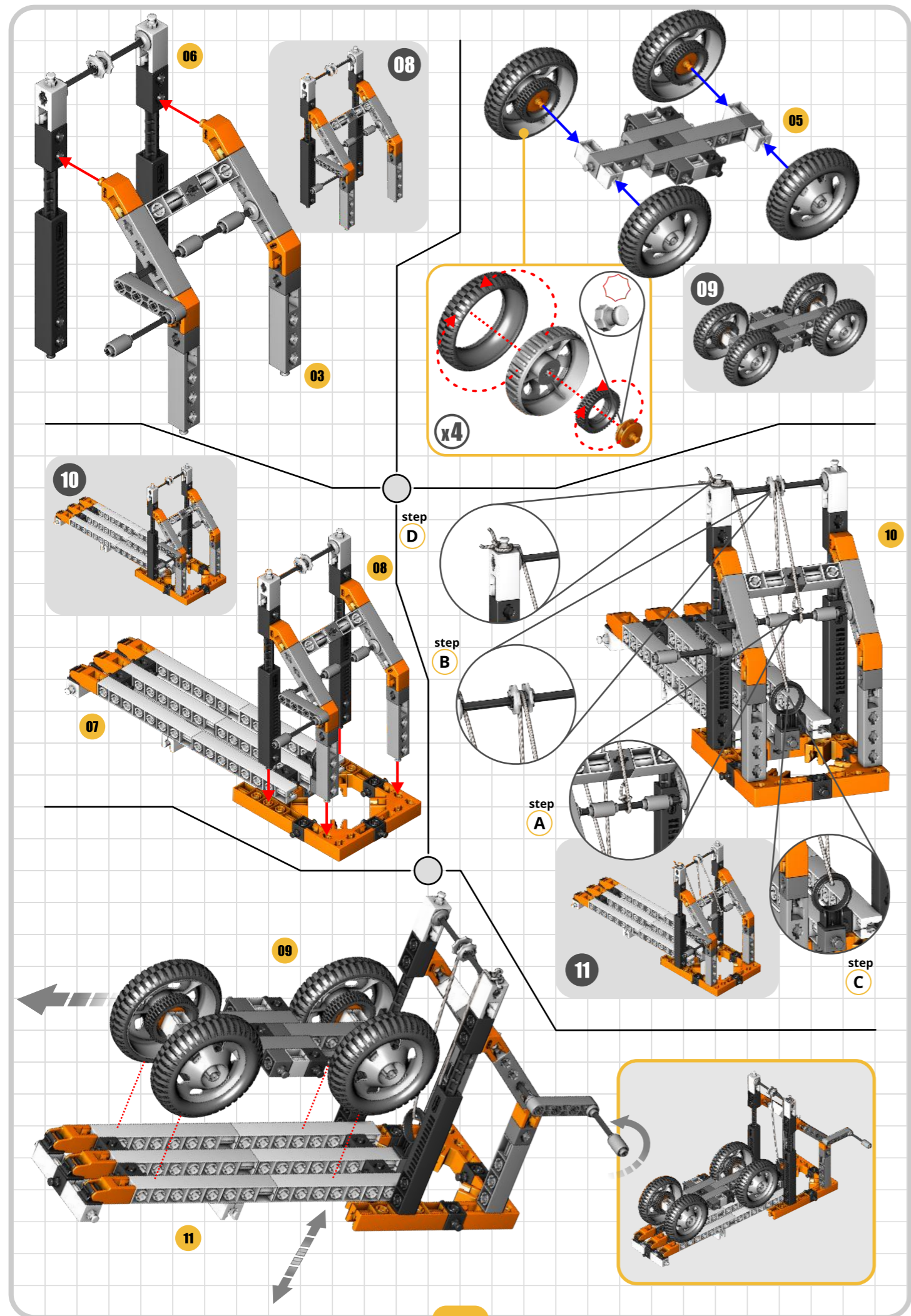
Building Instructions

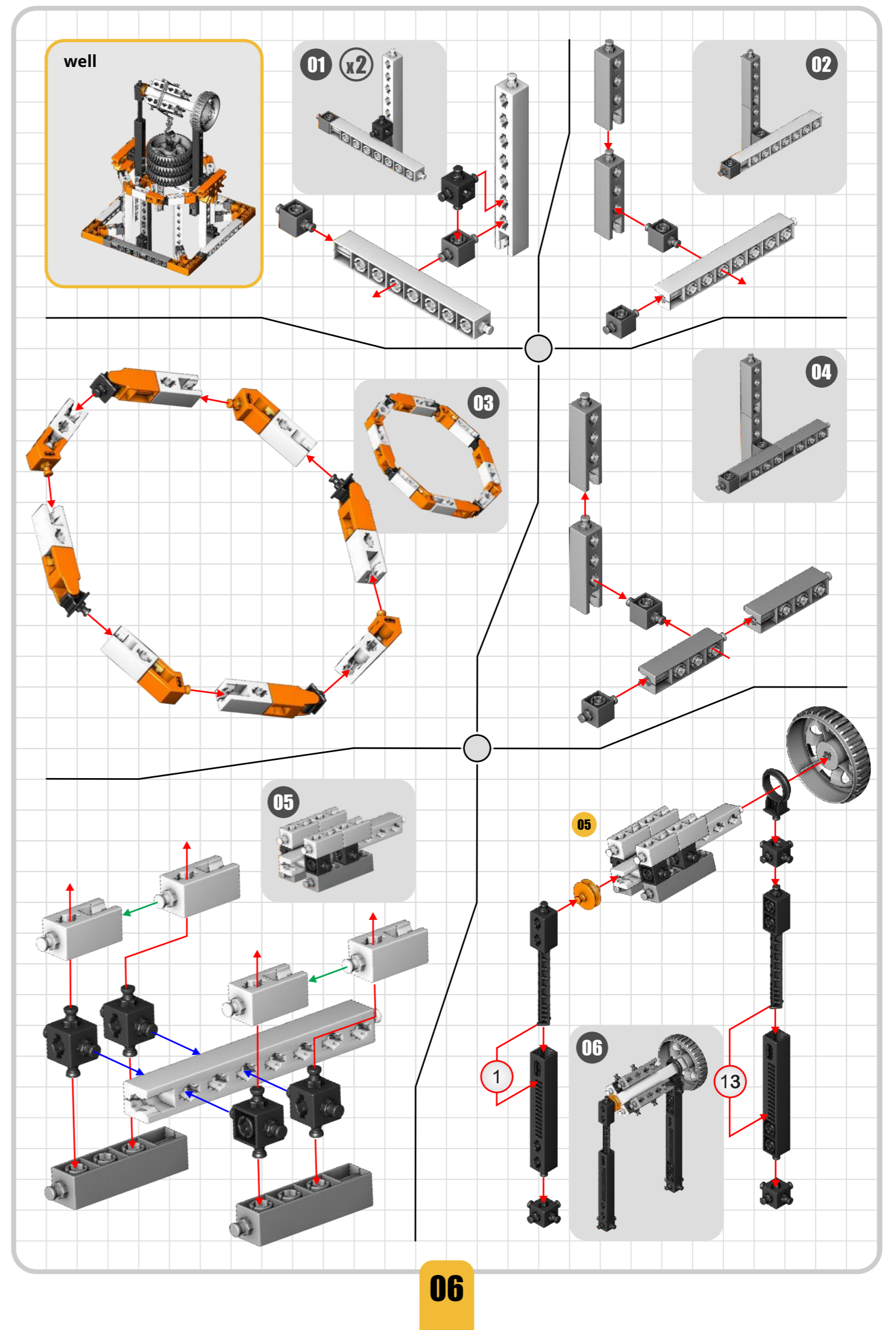
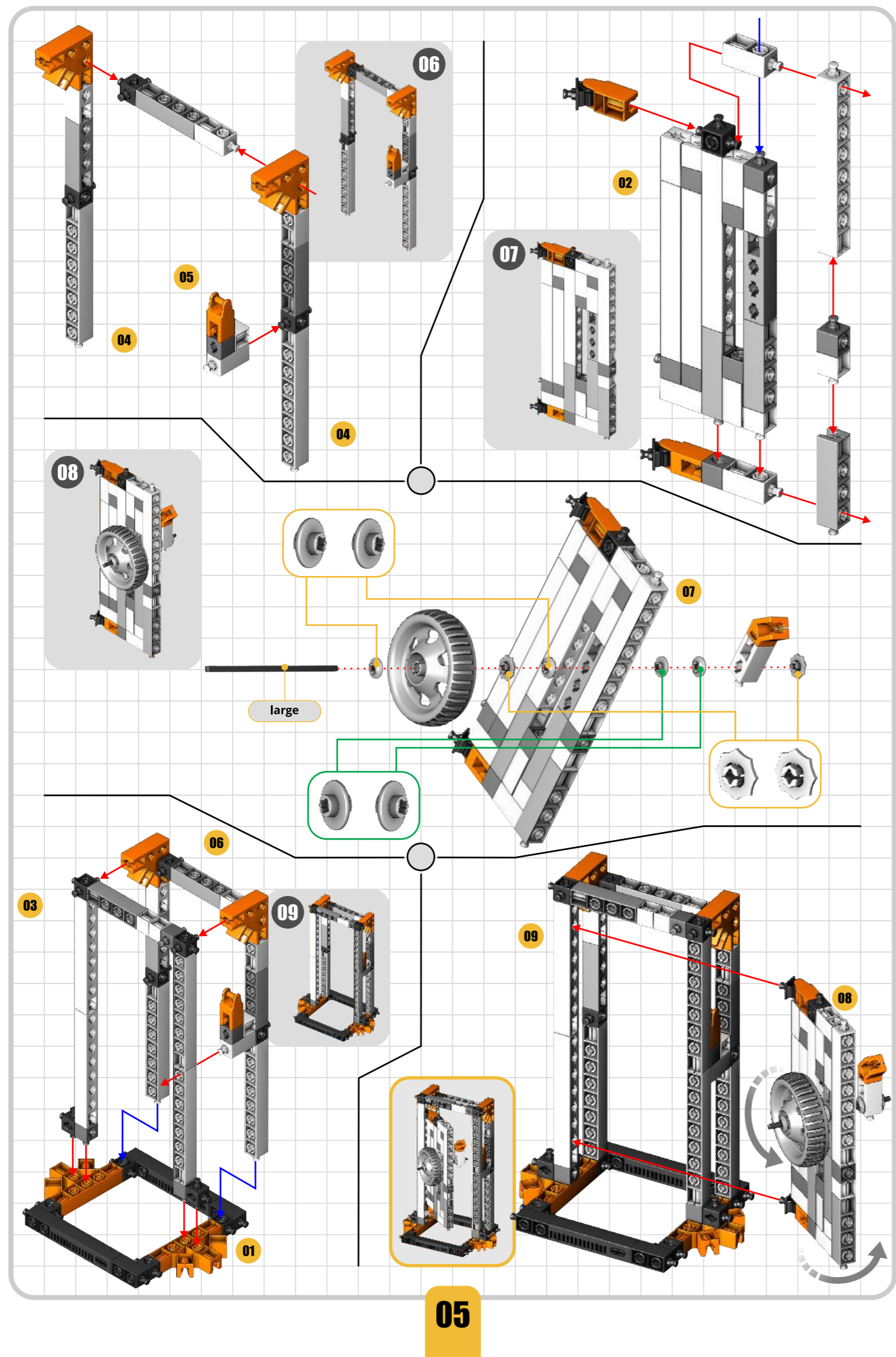


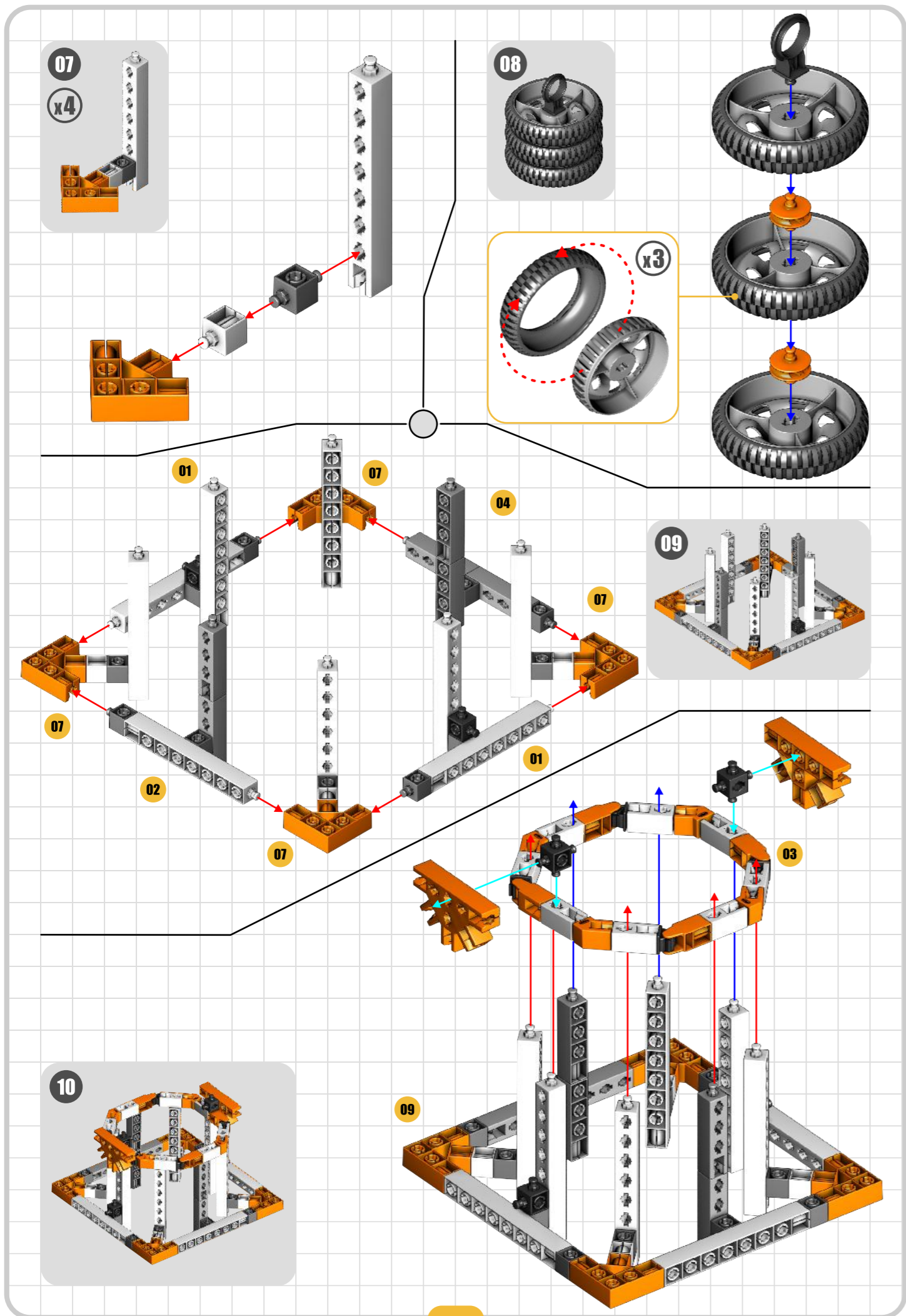
01



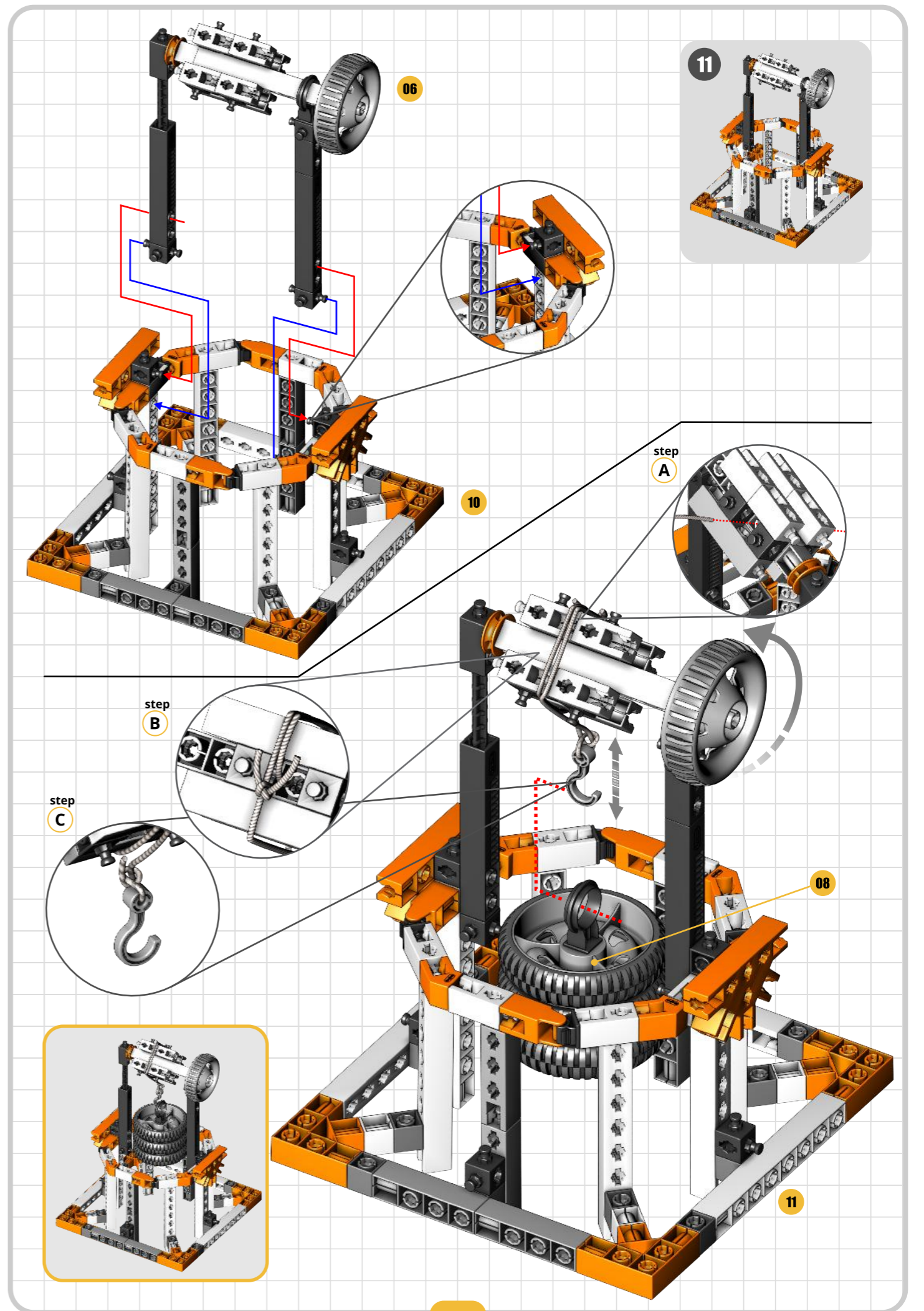
02



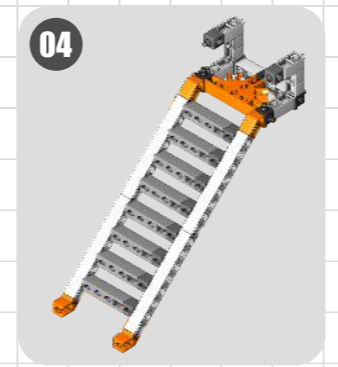
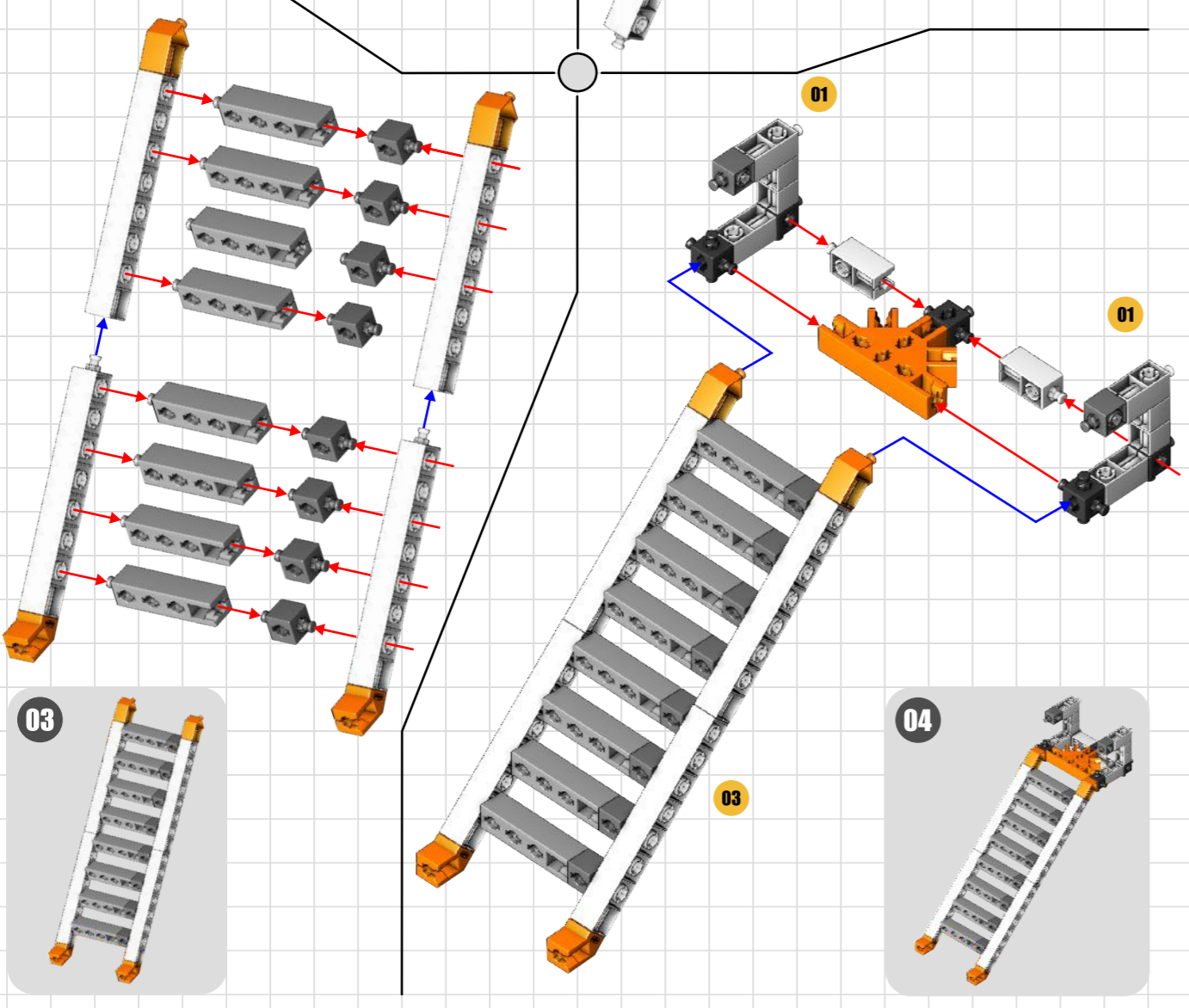
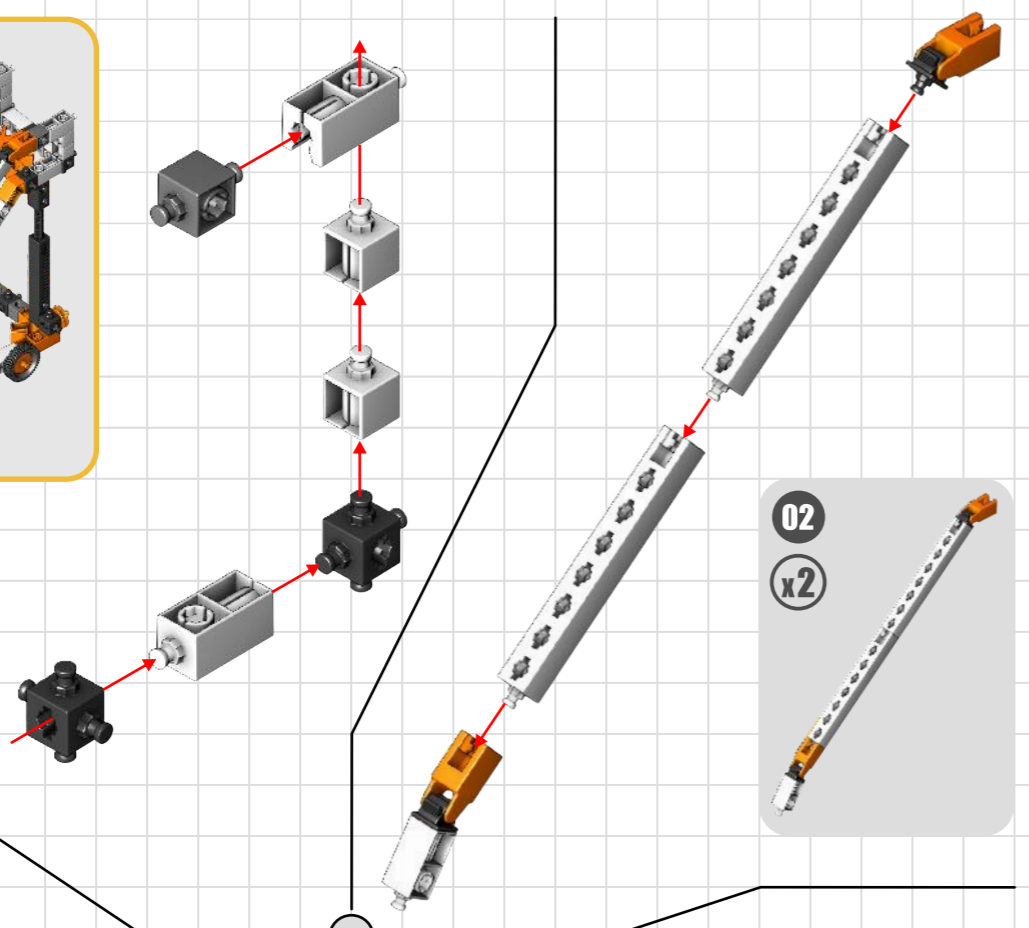
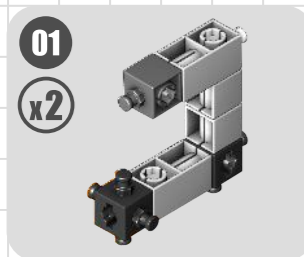




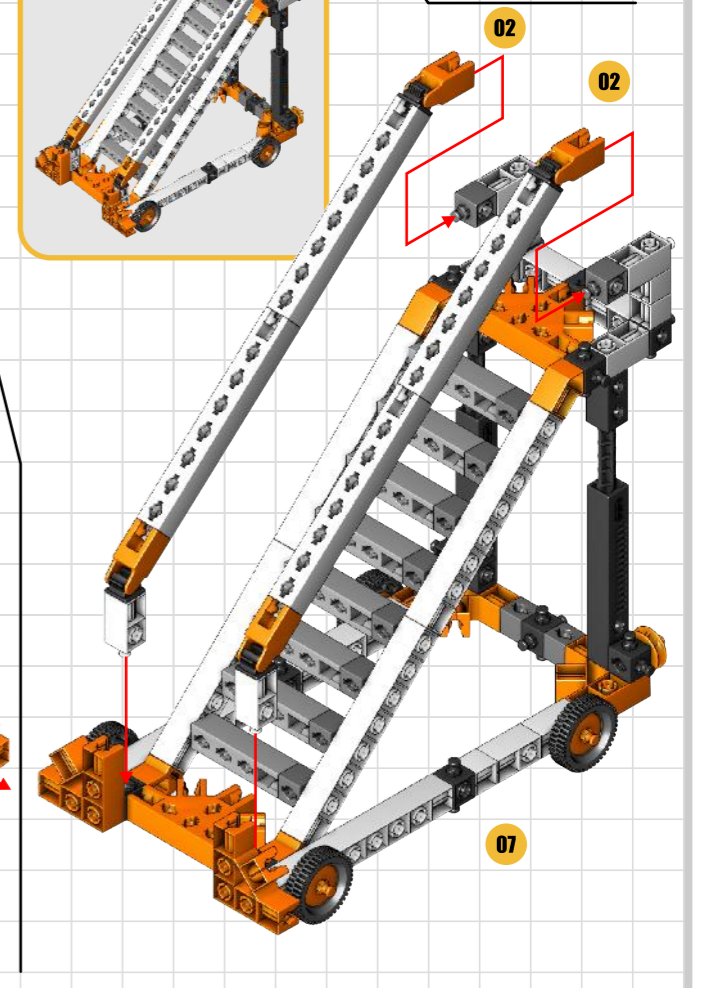
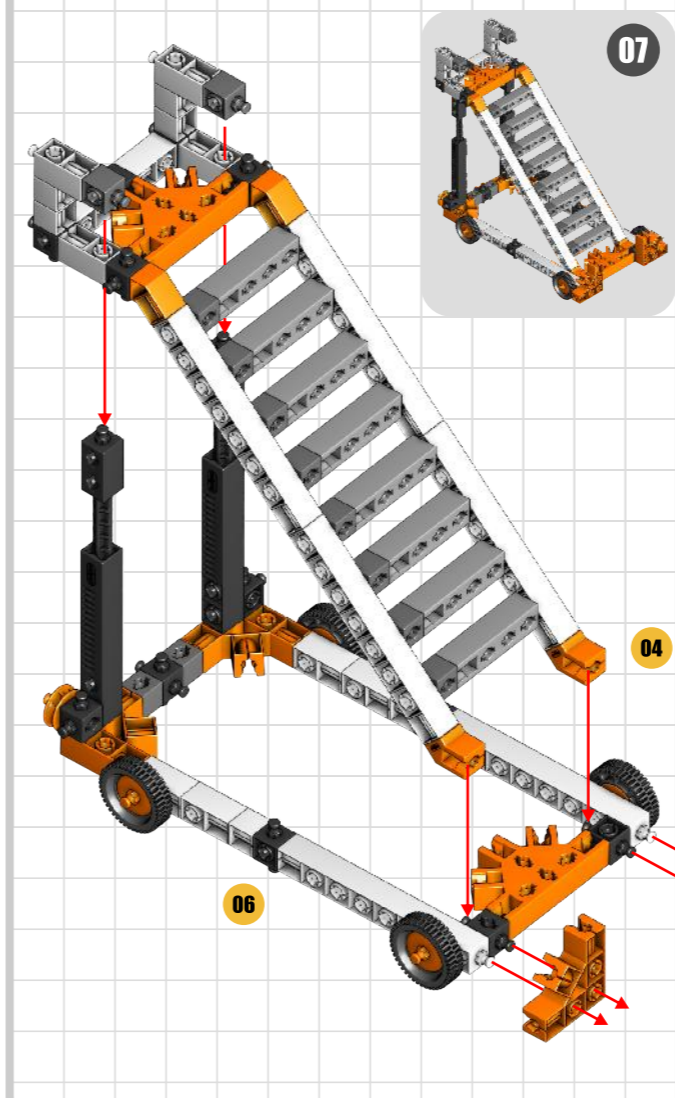
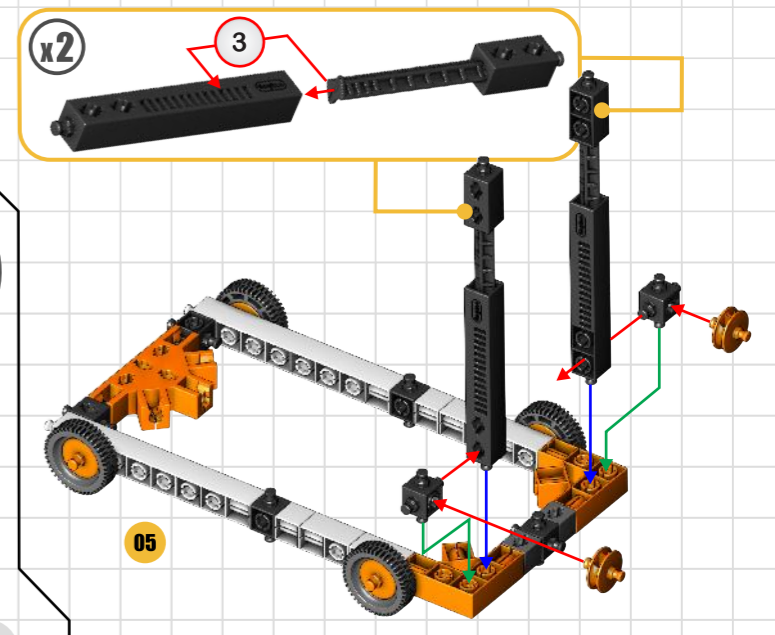
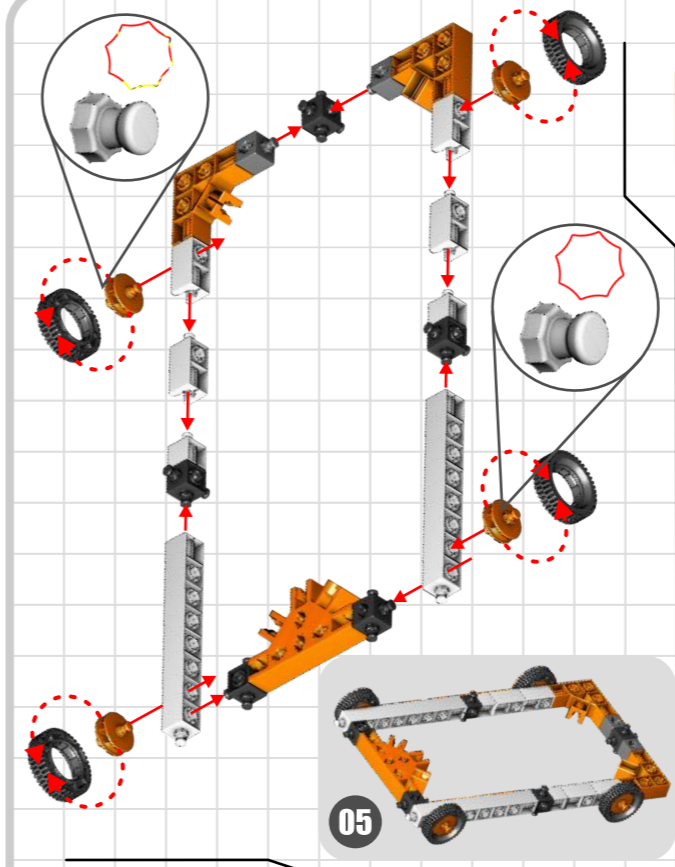
07



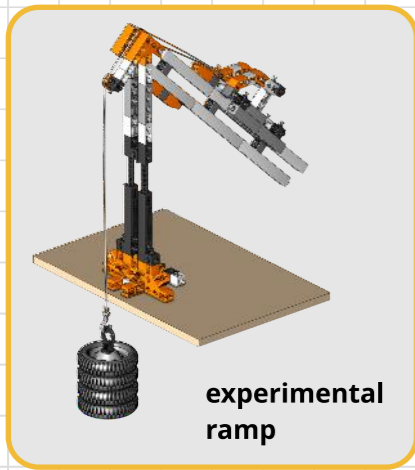
08



09



10



experimental ramp

01

02

1

1

x2

03

05

04

01

03

02

11

06

07

08

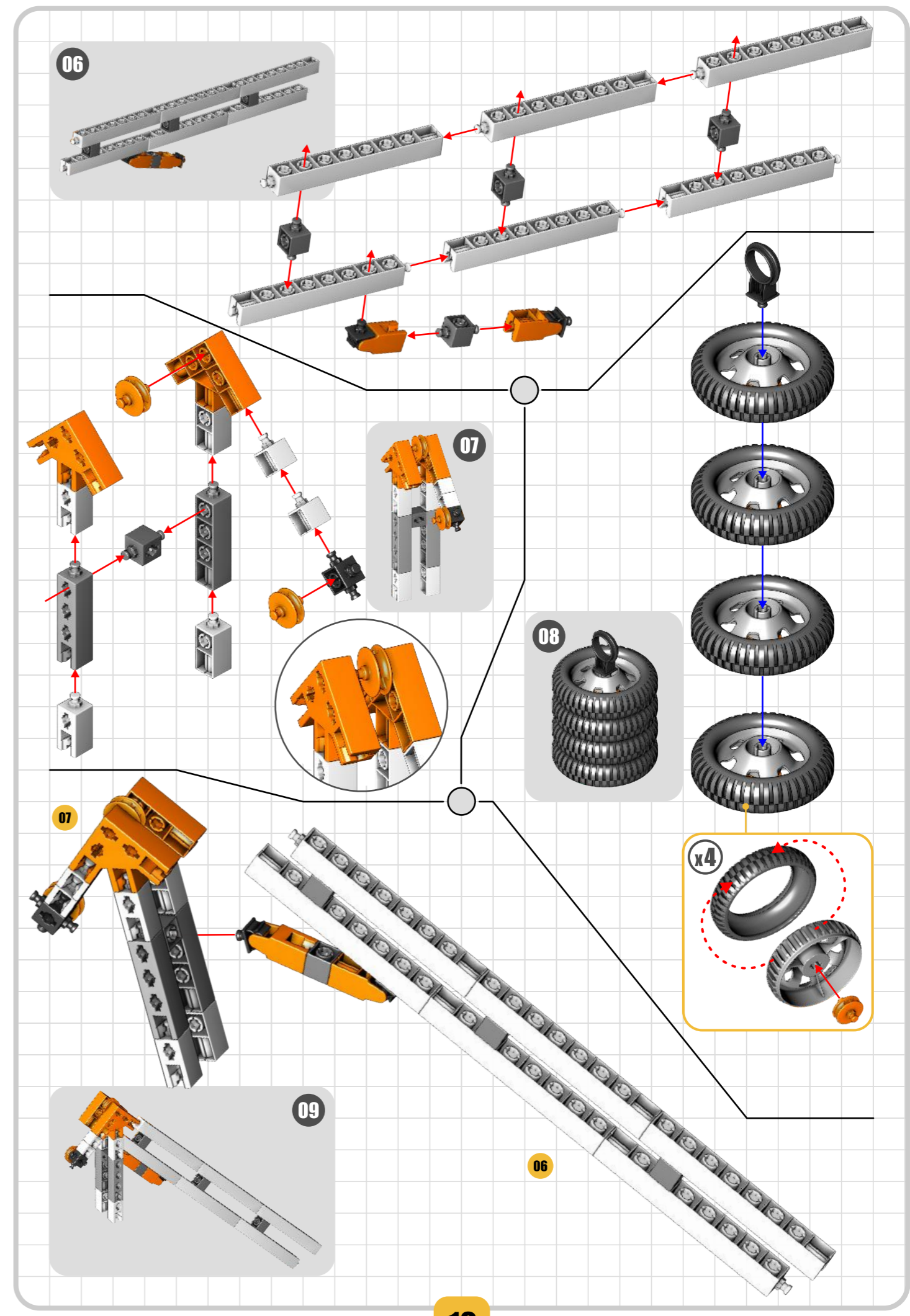
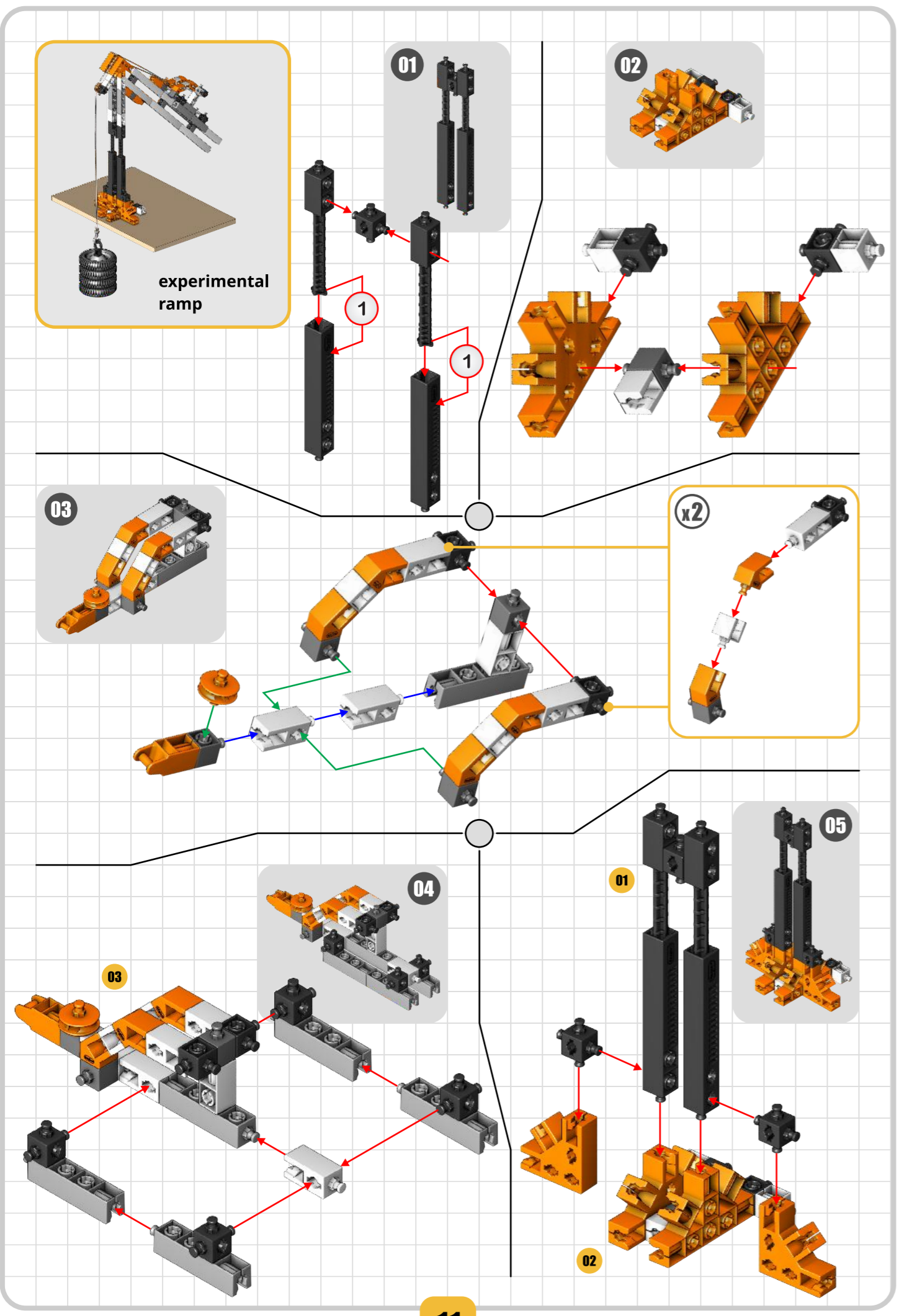
07

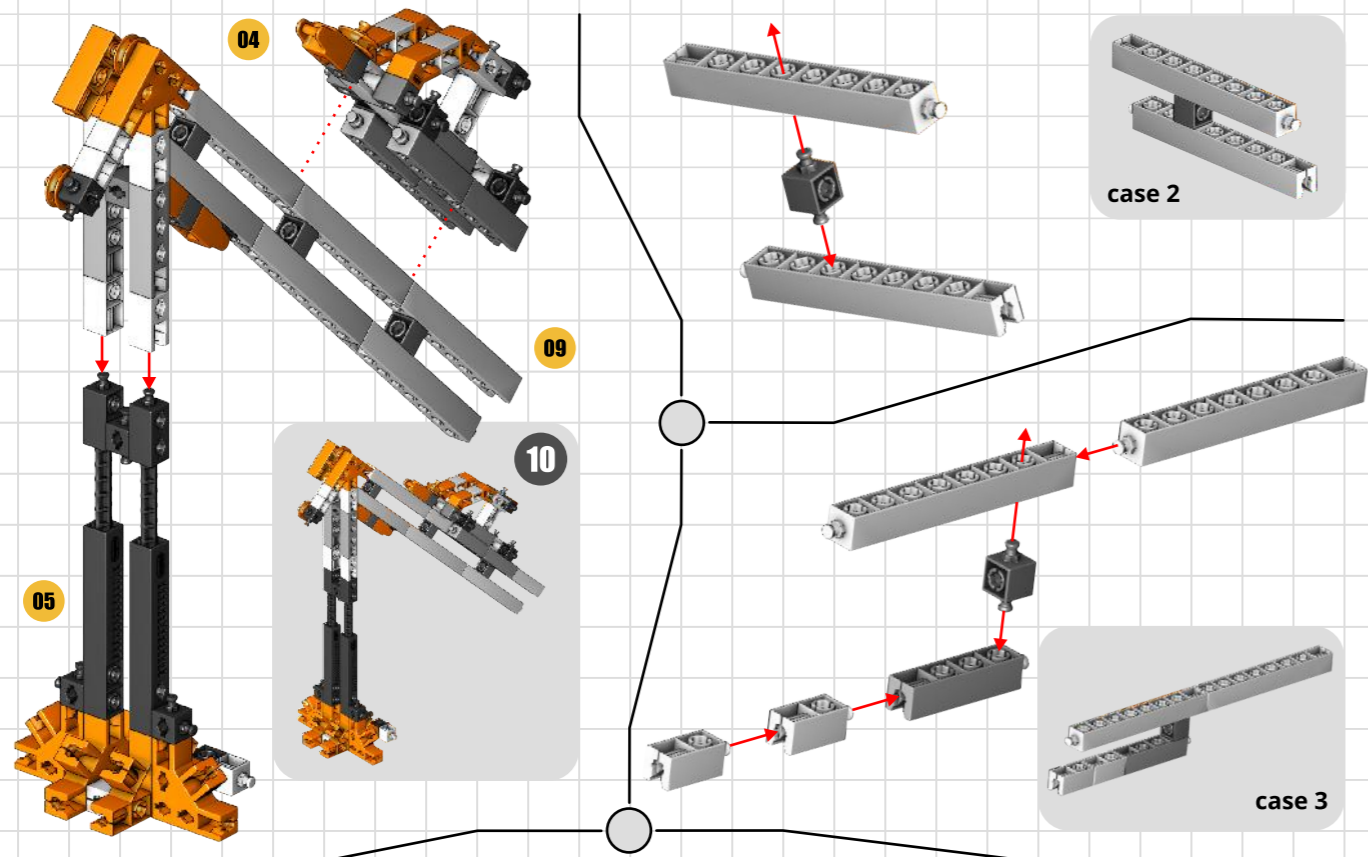
09

x4

06

12





step A

step C

10

Bring the string down from the top and pass it over the two orange pulleys and back to the top.

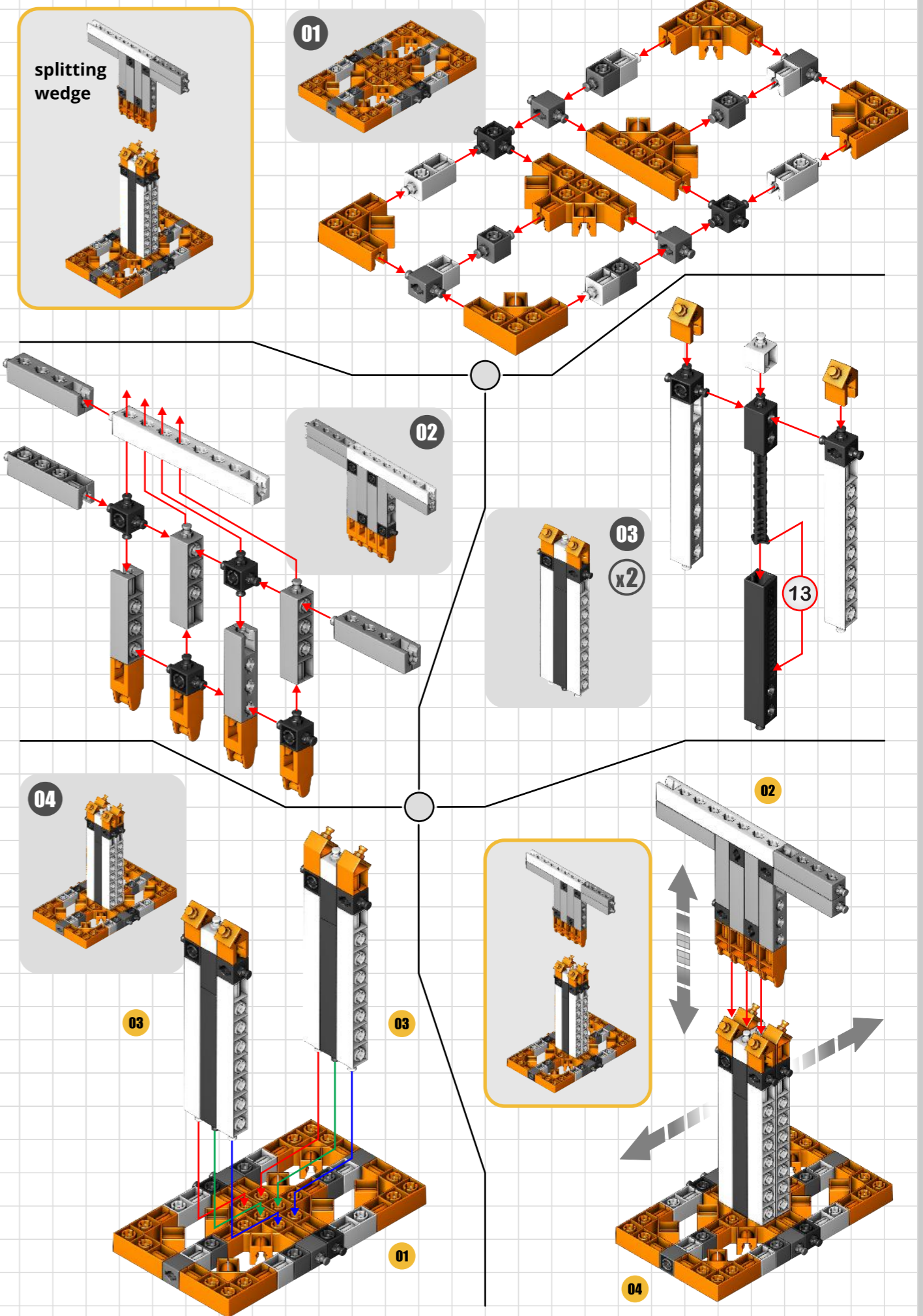
step B

STEP A : Tie one end of the string in the top hole and bring it down the ramp.
 STEP B : Pass it around the vessel's pulley and bring it back to the top.
 STEP C : Lay the string over the two top pulleys and bring it down on the other side to tie on the hanging hook.

step D

Pass the string through the hook's hole and tie a knot to secure.

08



splitting wedge

01

02

03
x2

13

04

03

03

02

01

04