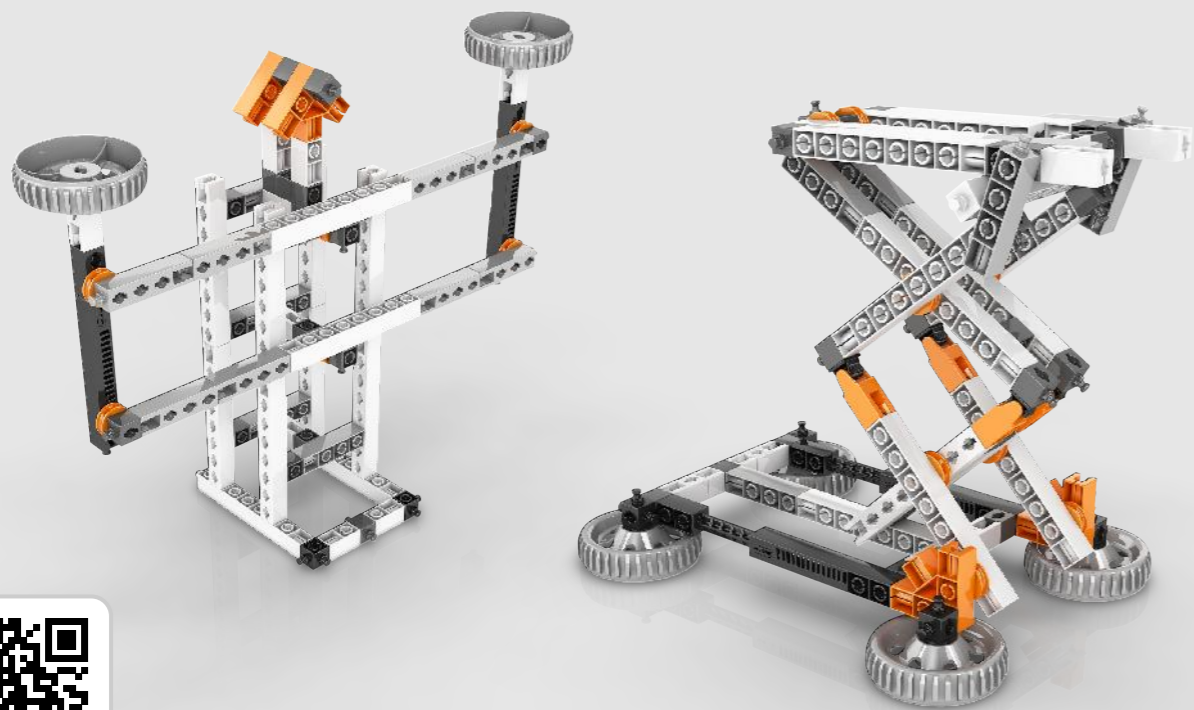
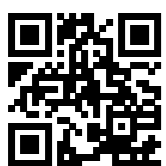


Bill of materials

	x14		x6		x2
	x2		x4		x17
	x2		x4		x24
	x1		x10		x4
	x1		x5		x10



© Copyright Engino.net Ltd. All Rights Reserved.



Engino.net Ltd | P.O.Box 72100, 4200 Limassol,
Cyprus, European Union
Tel.: +357 25821960, Fax: +357 25821961
Email: info@engino.com, Website: www.engino.com

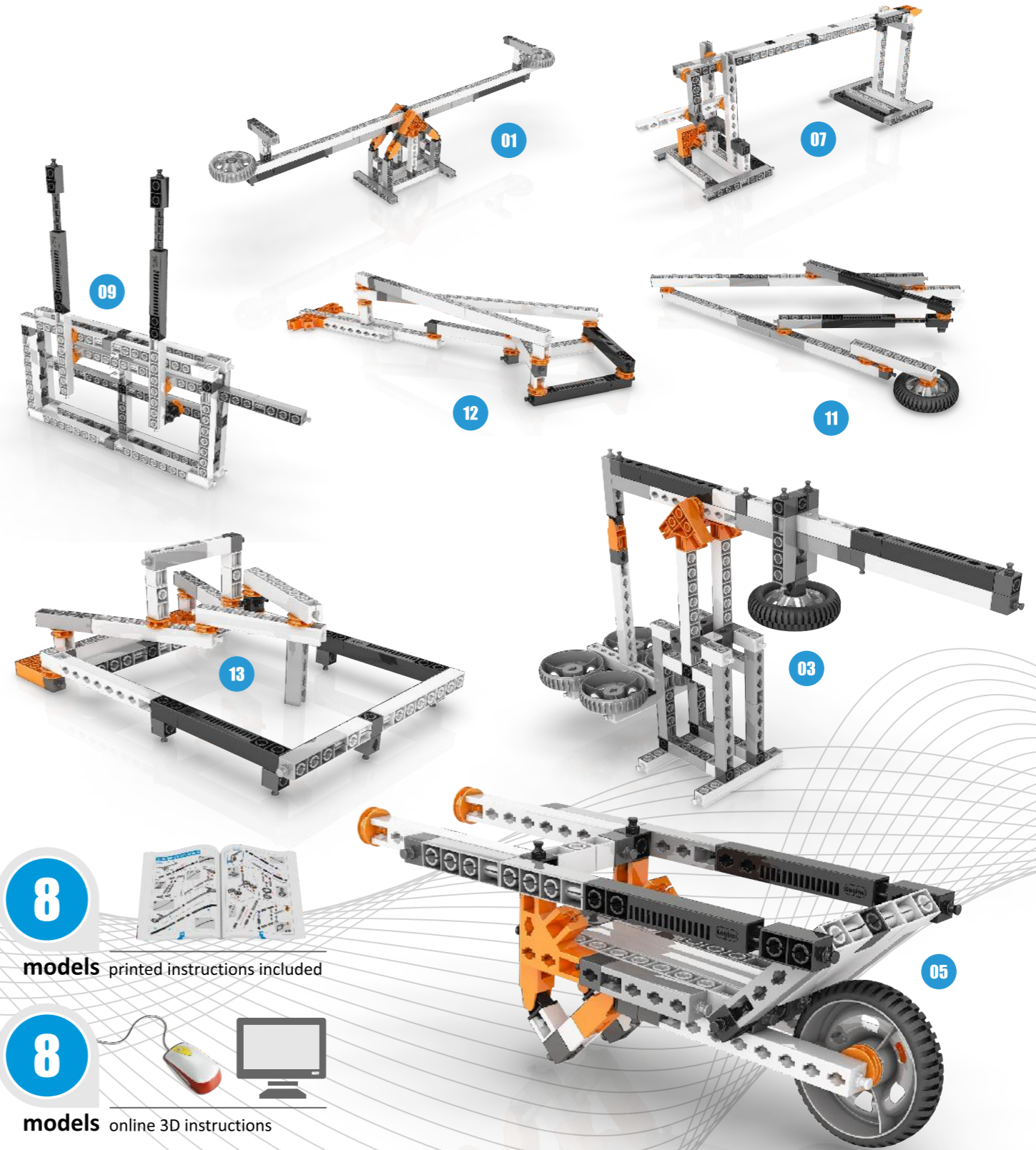


WARNING:
CHOKING HAZARD - Small parts.
Not for children under 3 yrs.



MECHANICS

levers & linkages



8 models printed instructions included

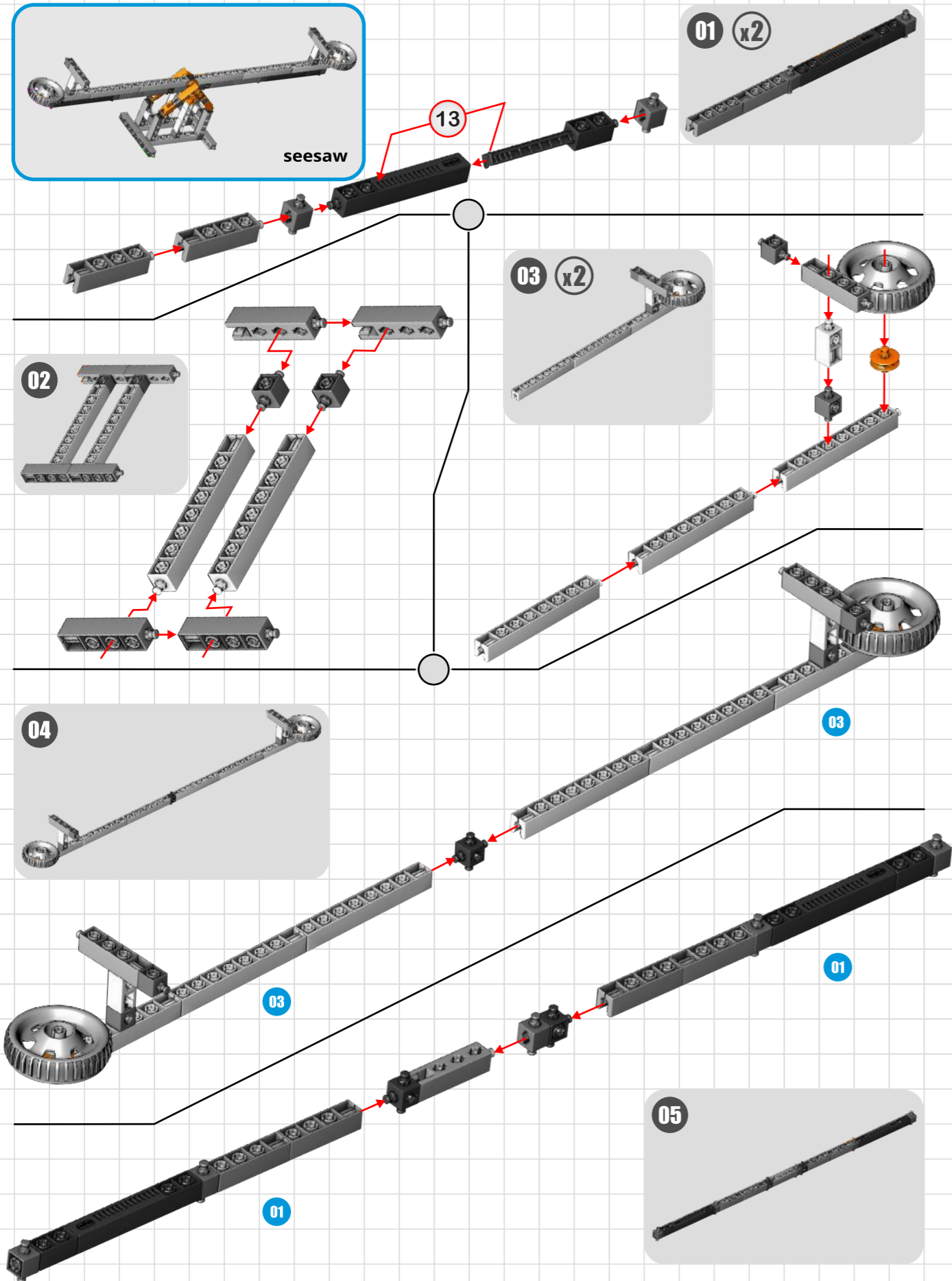
8 models online 3D instructions

+ **16** models to build **8-16+**

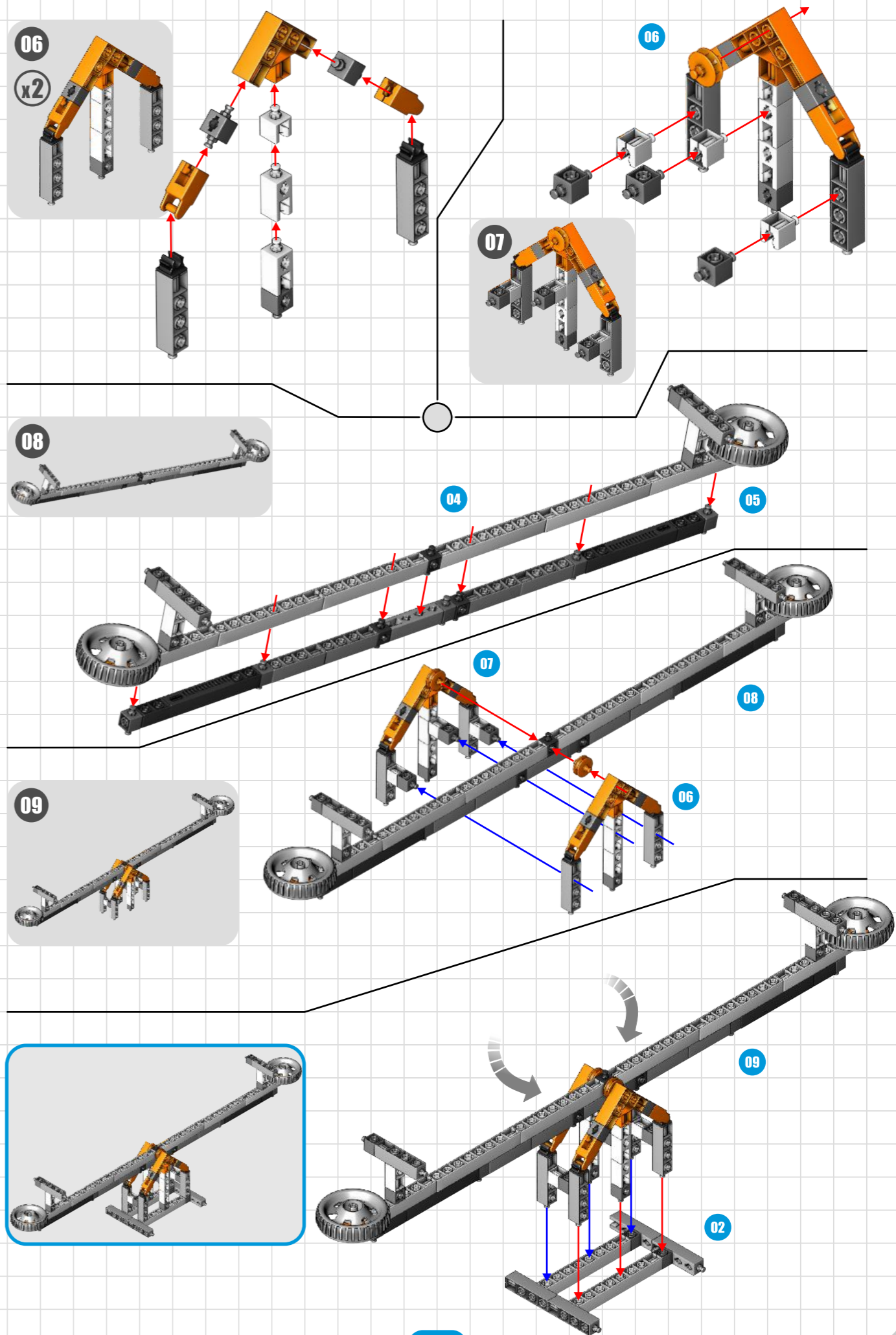


3D interactive instructions to download on your smart device

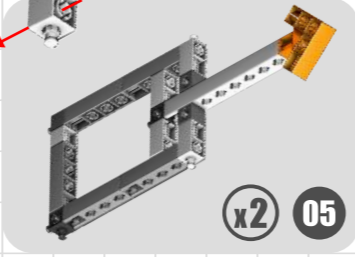
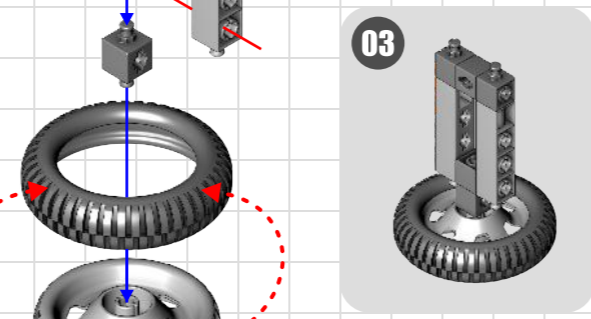
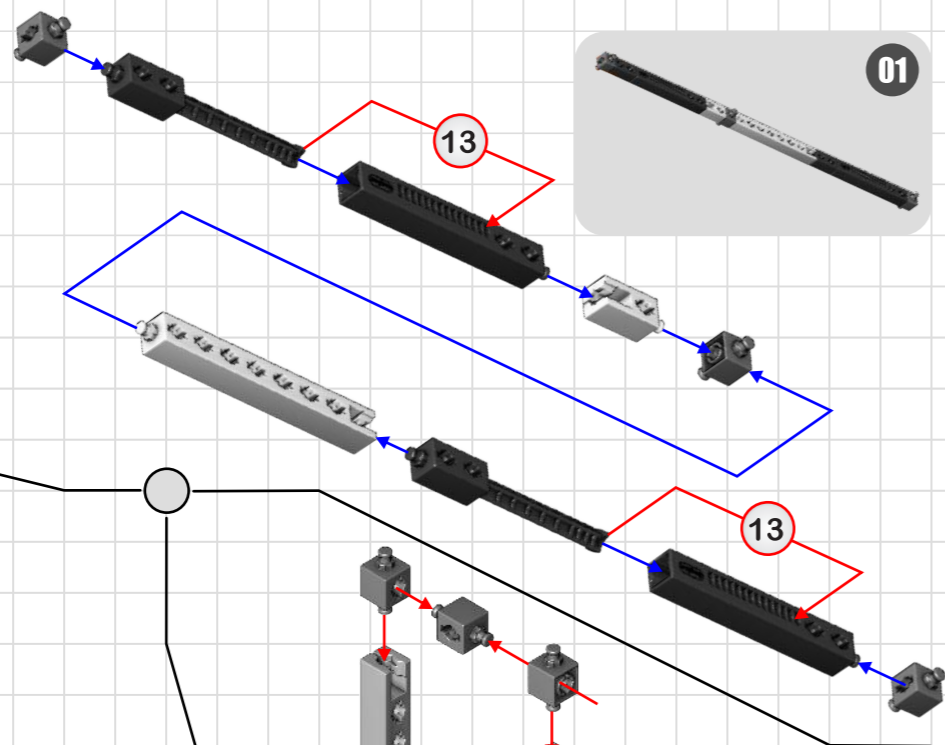
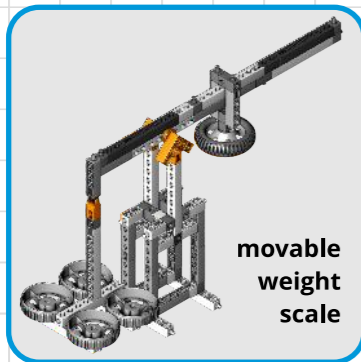
Building Instructions



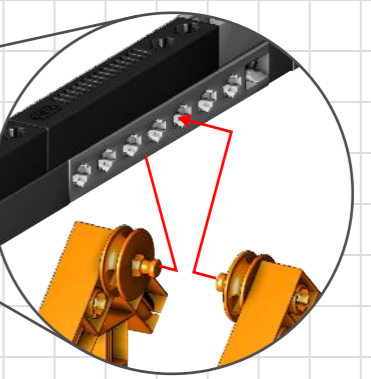
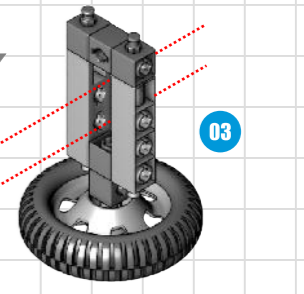
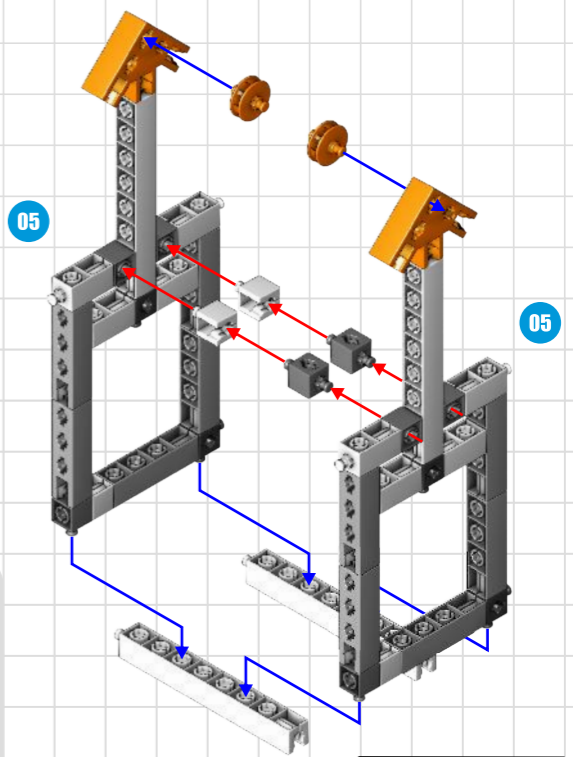
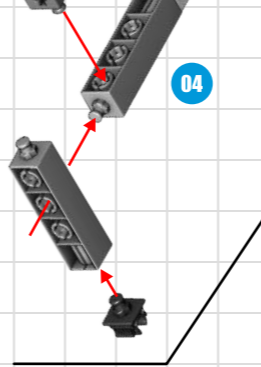
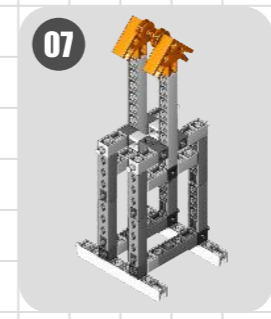
01



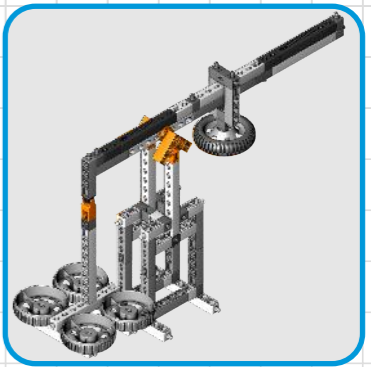
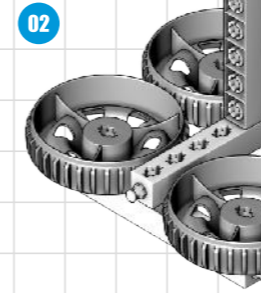
02



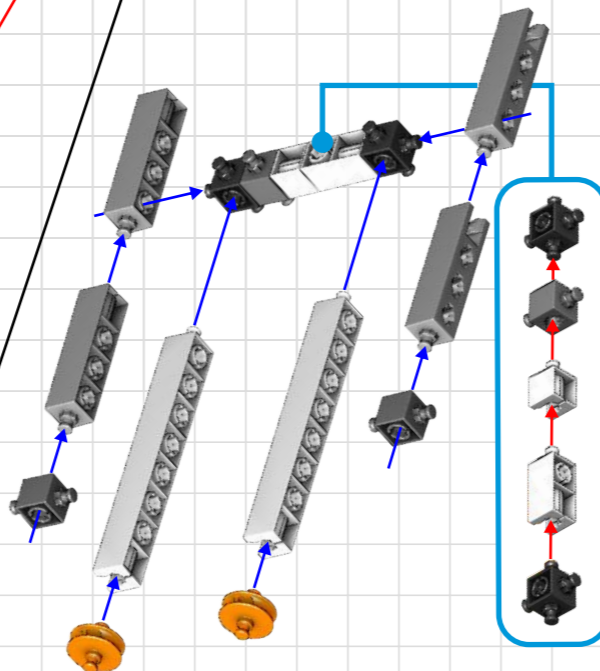
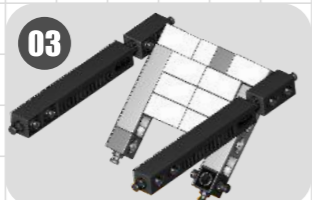
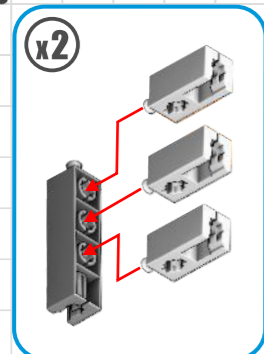
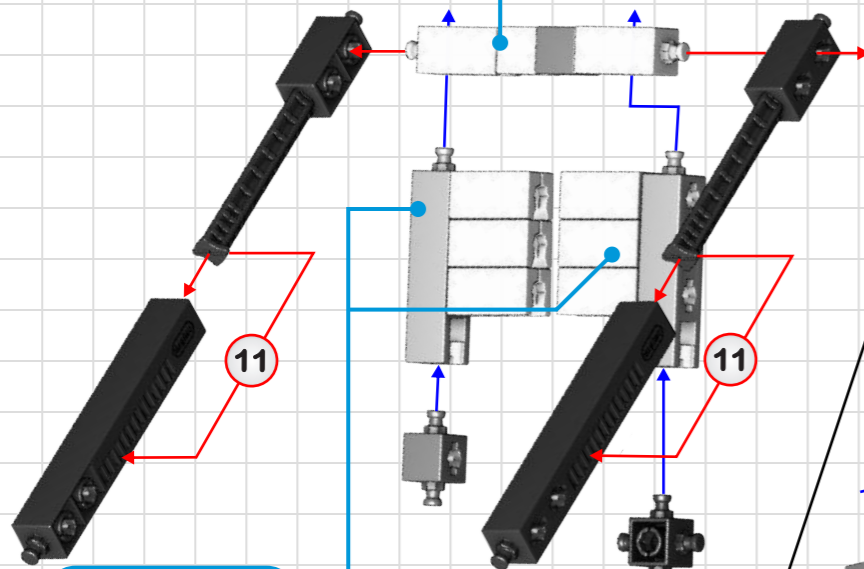
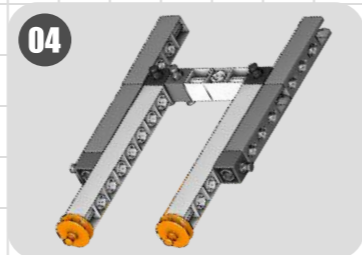
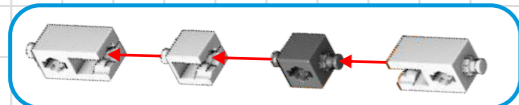
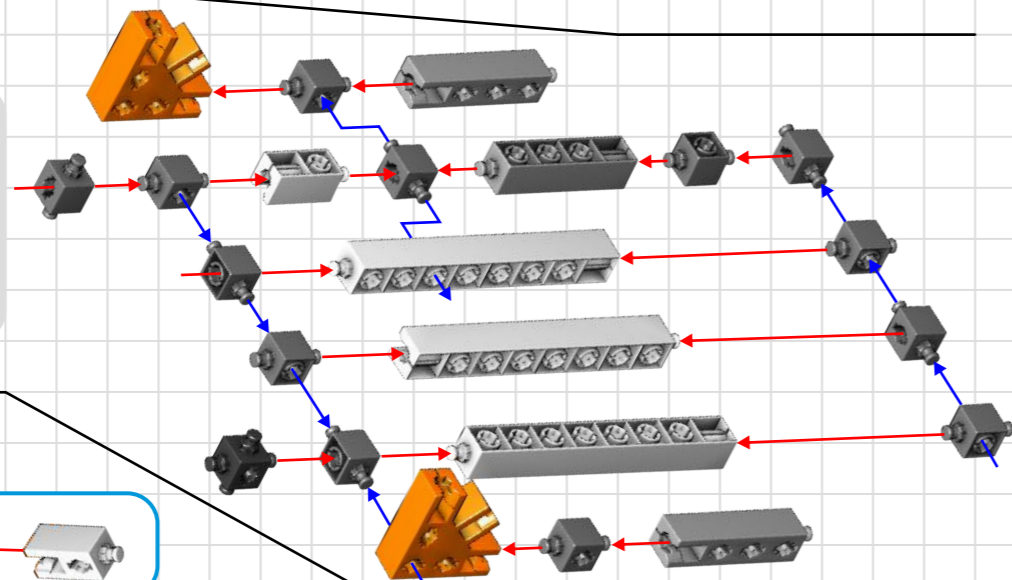
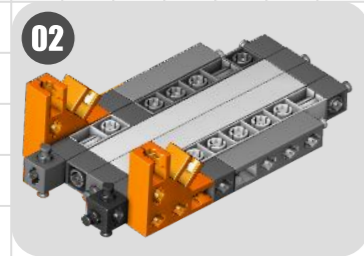
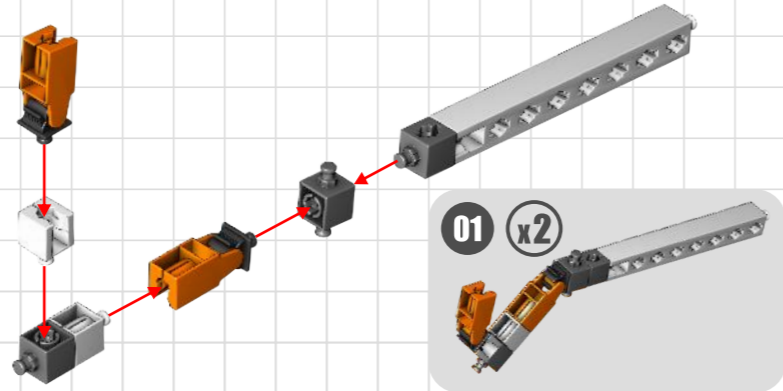
03



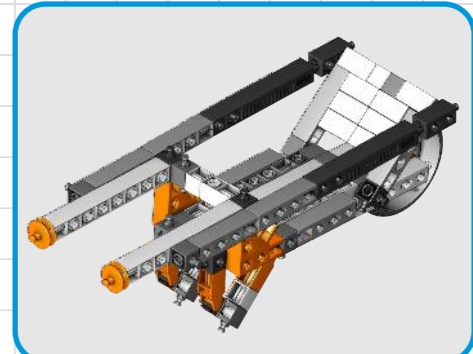
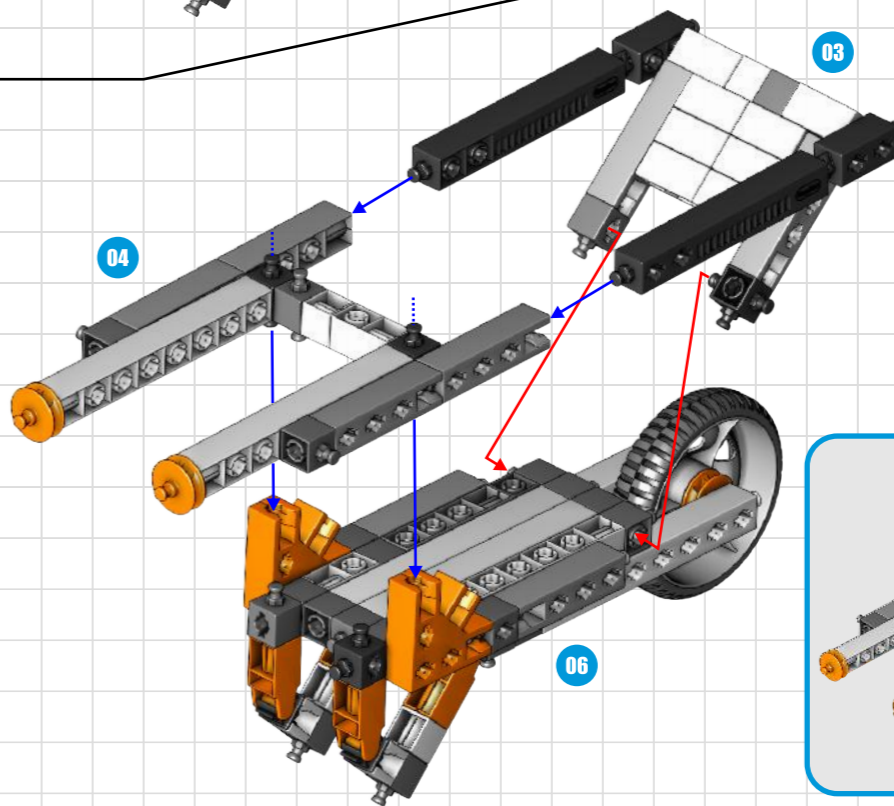
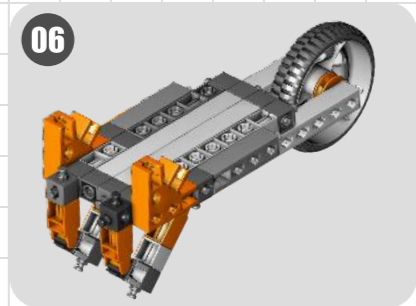
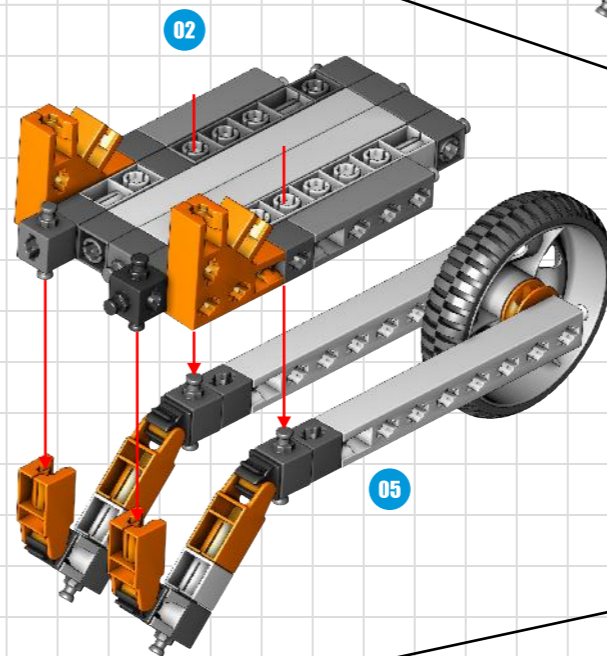
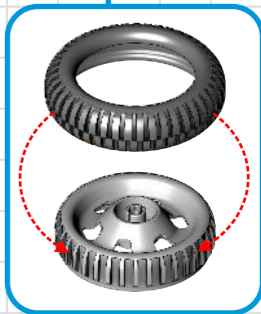
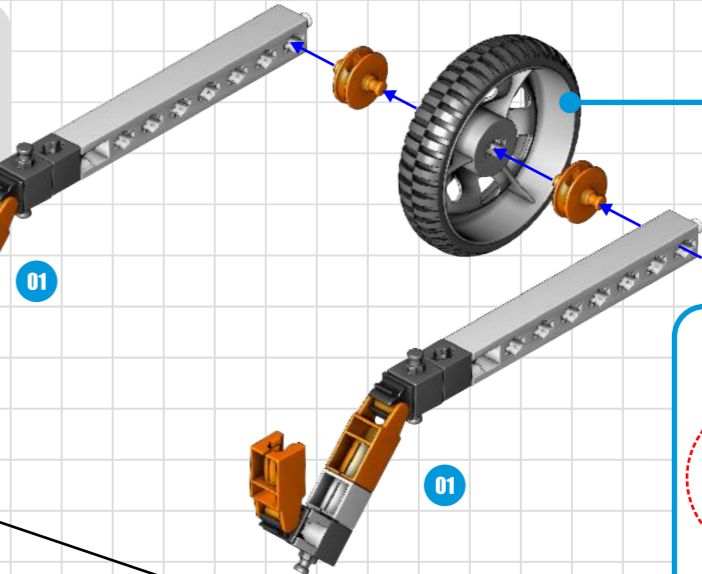
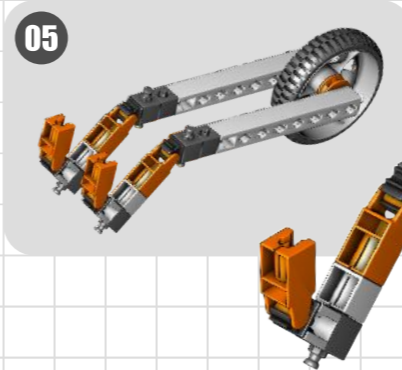
move the wheel to balance the scale!



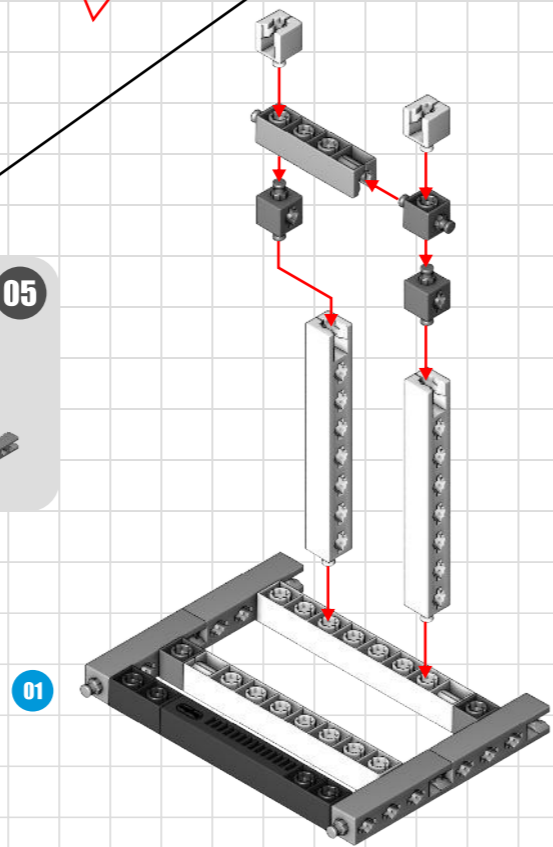
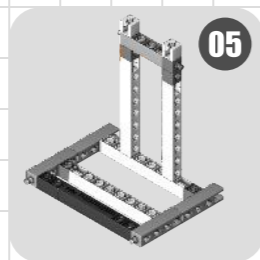
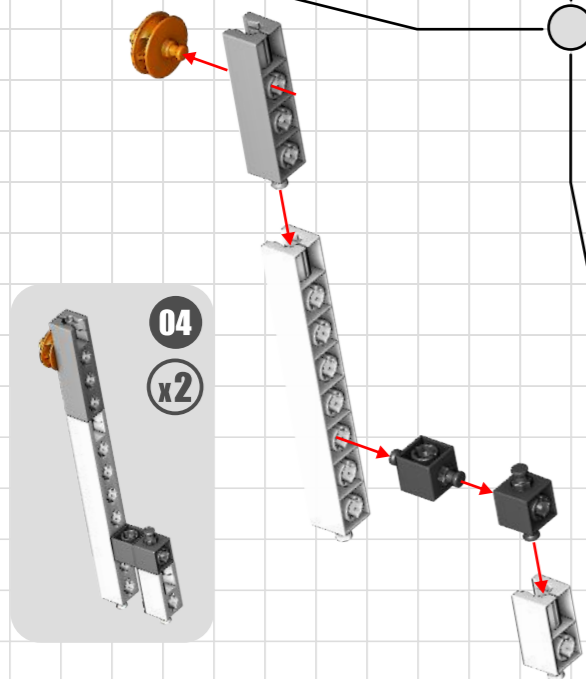
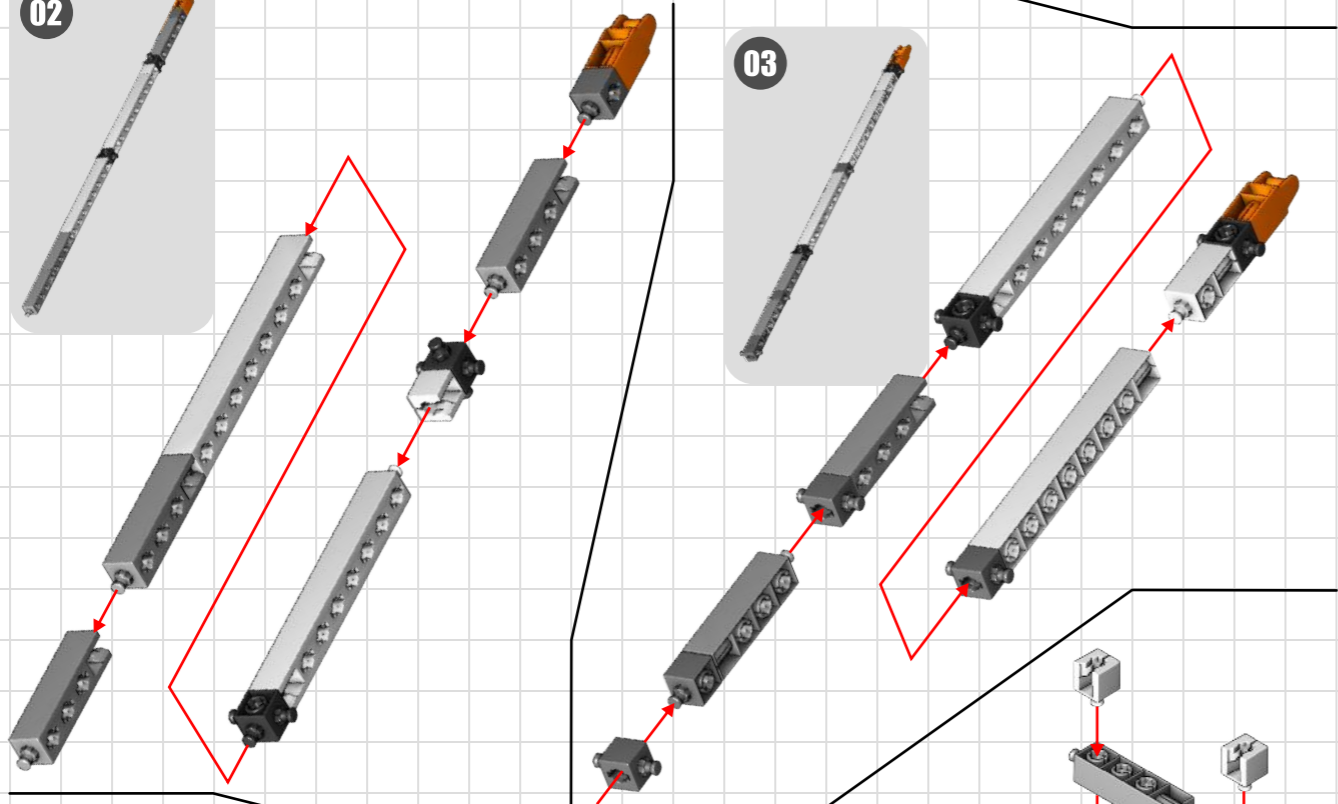
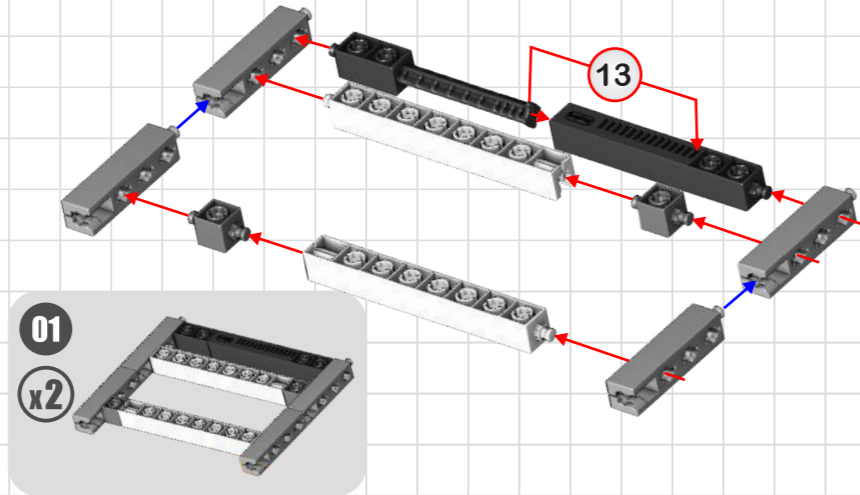
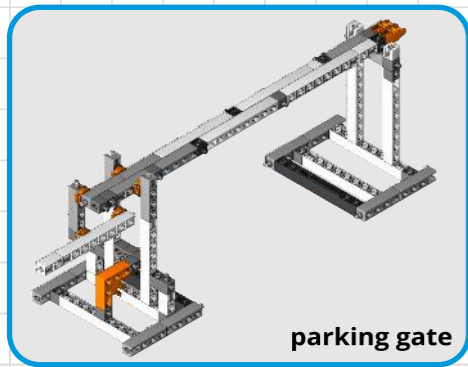
04



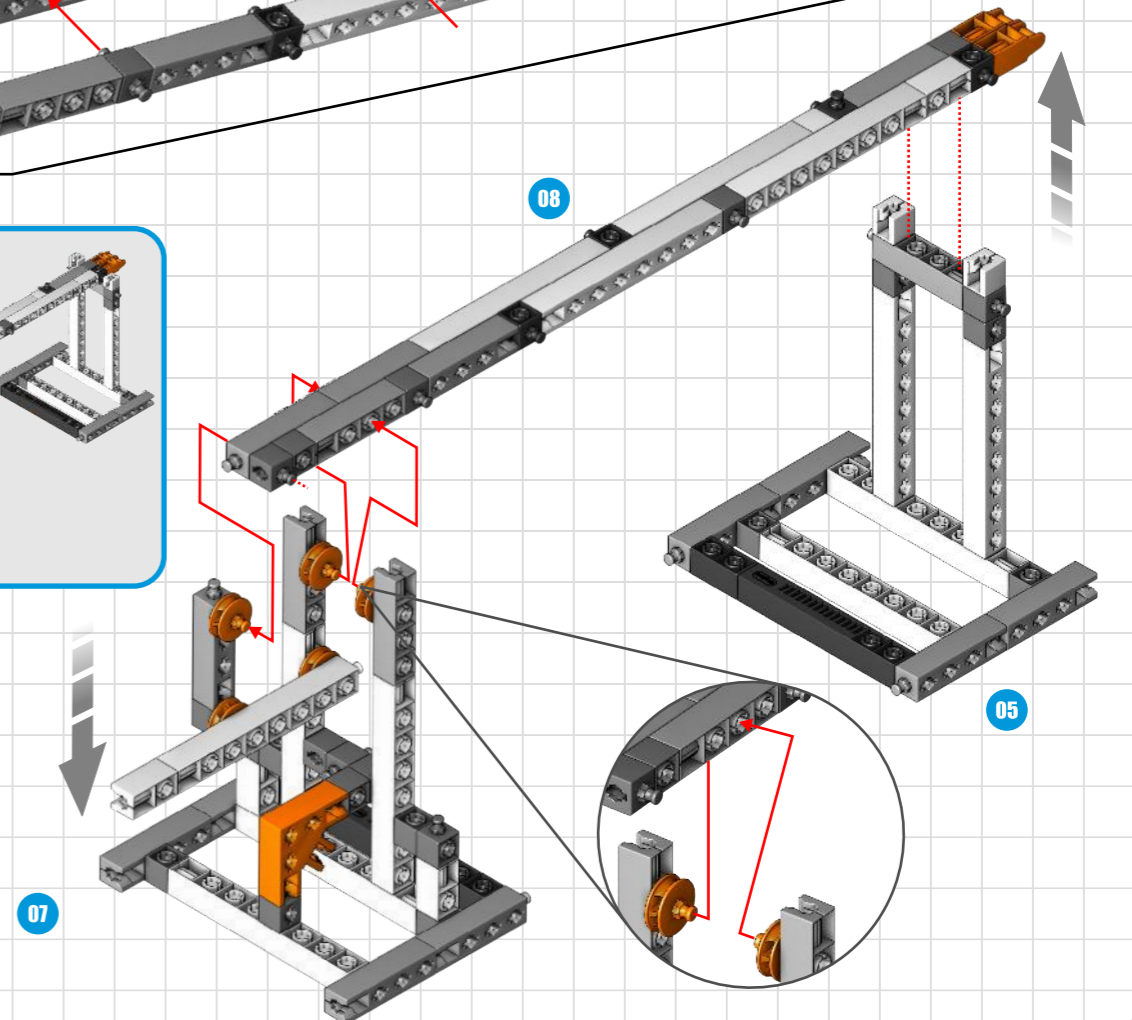
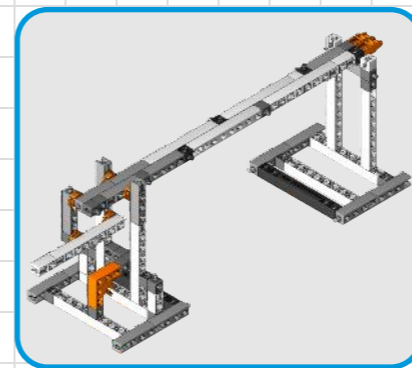
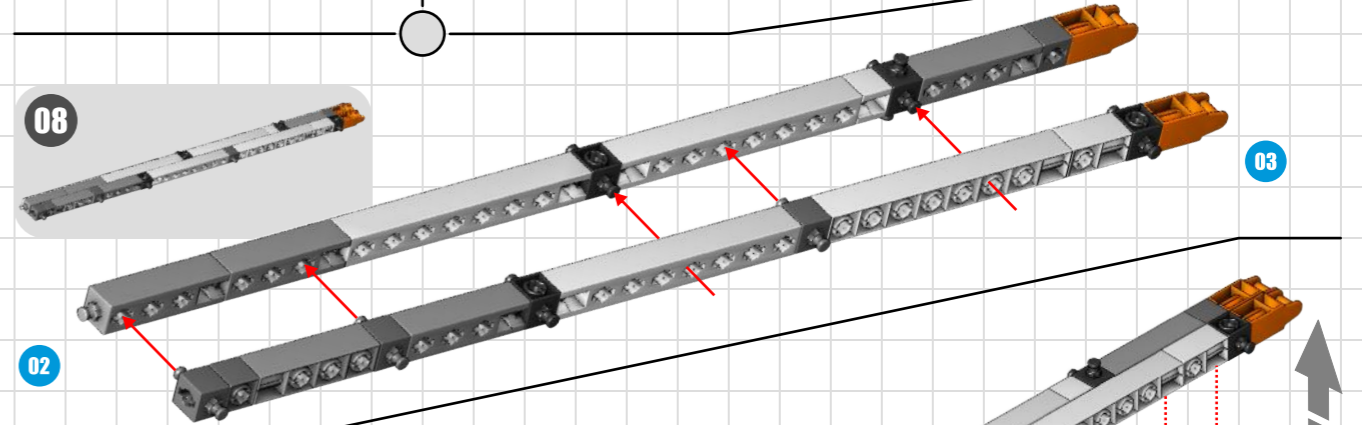
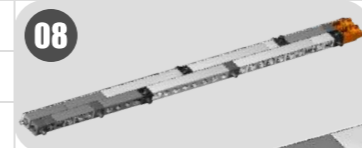
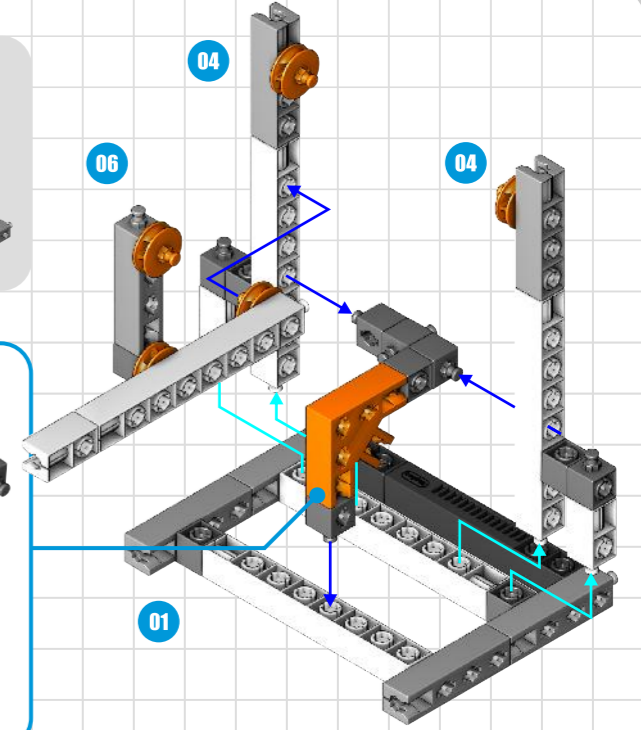
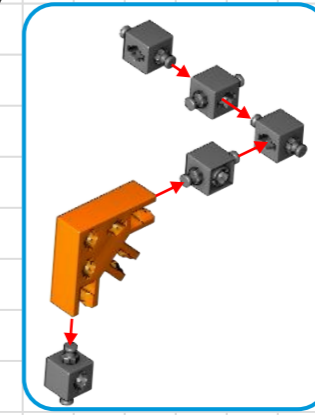
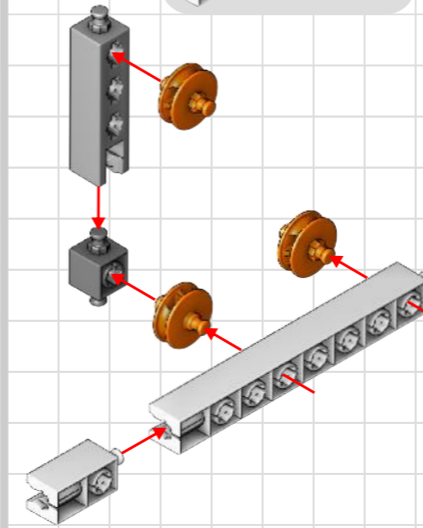
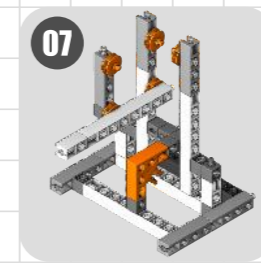
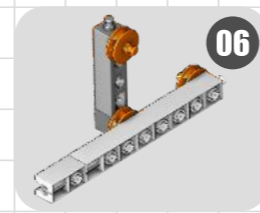
05



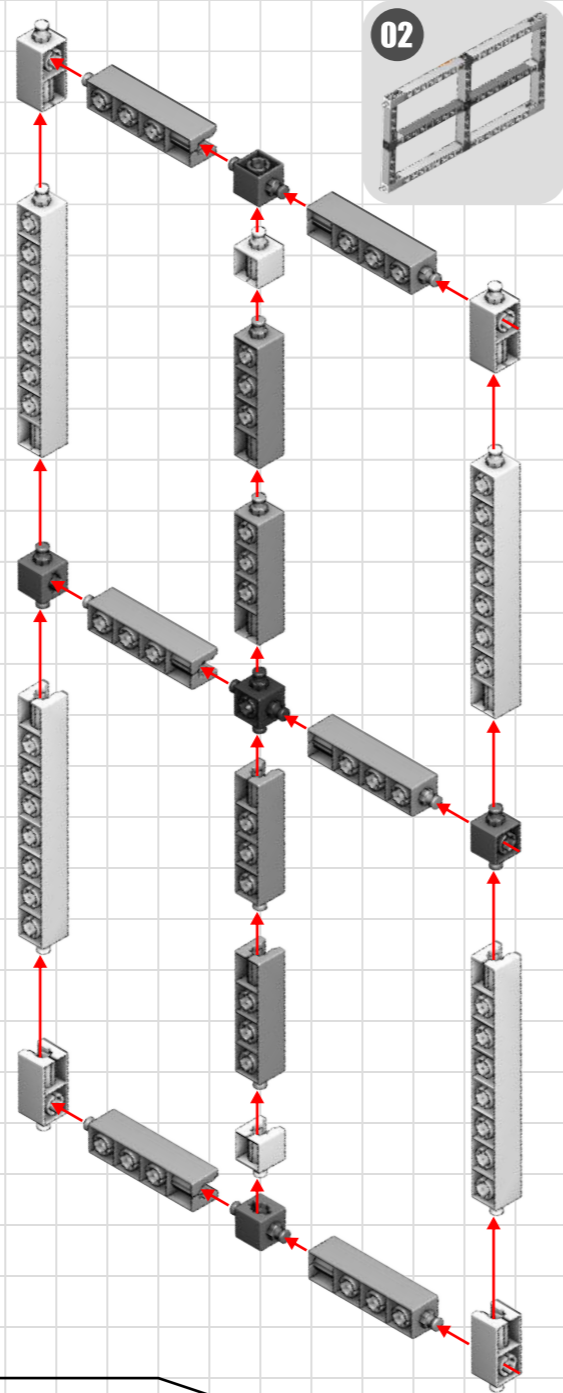
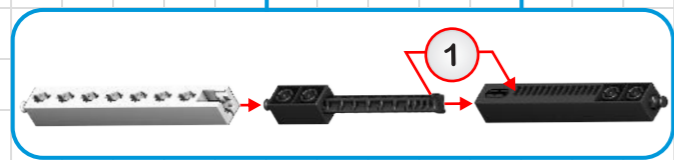
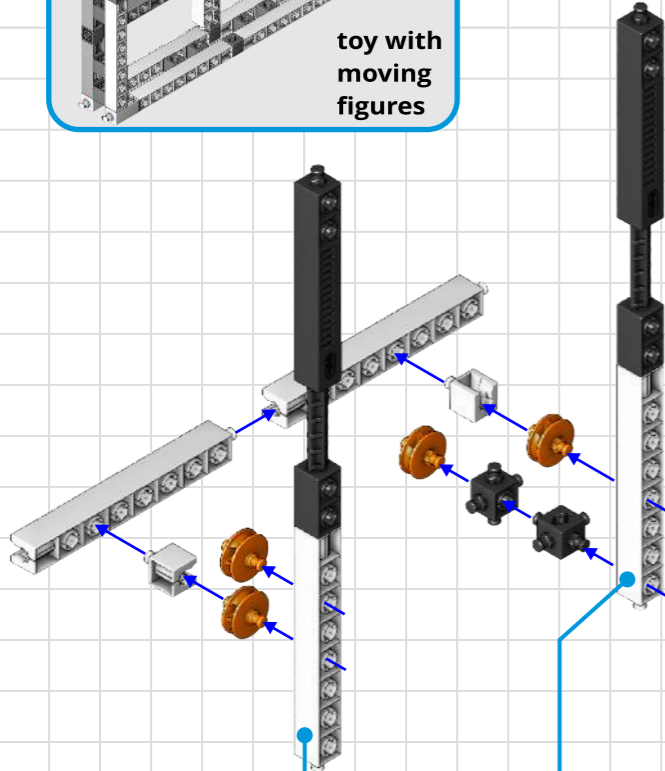
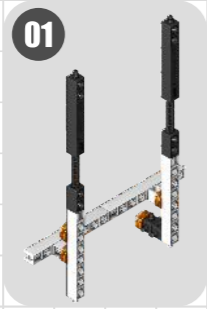
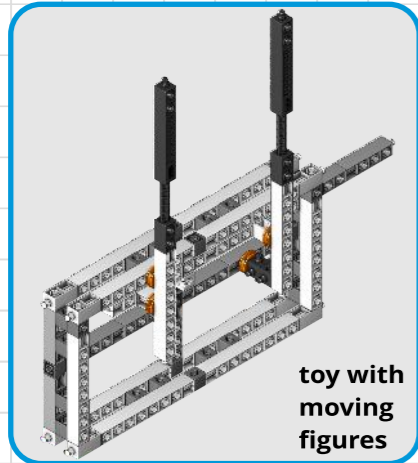
06



07



08

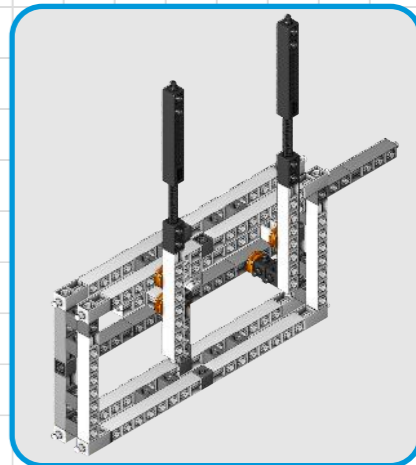
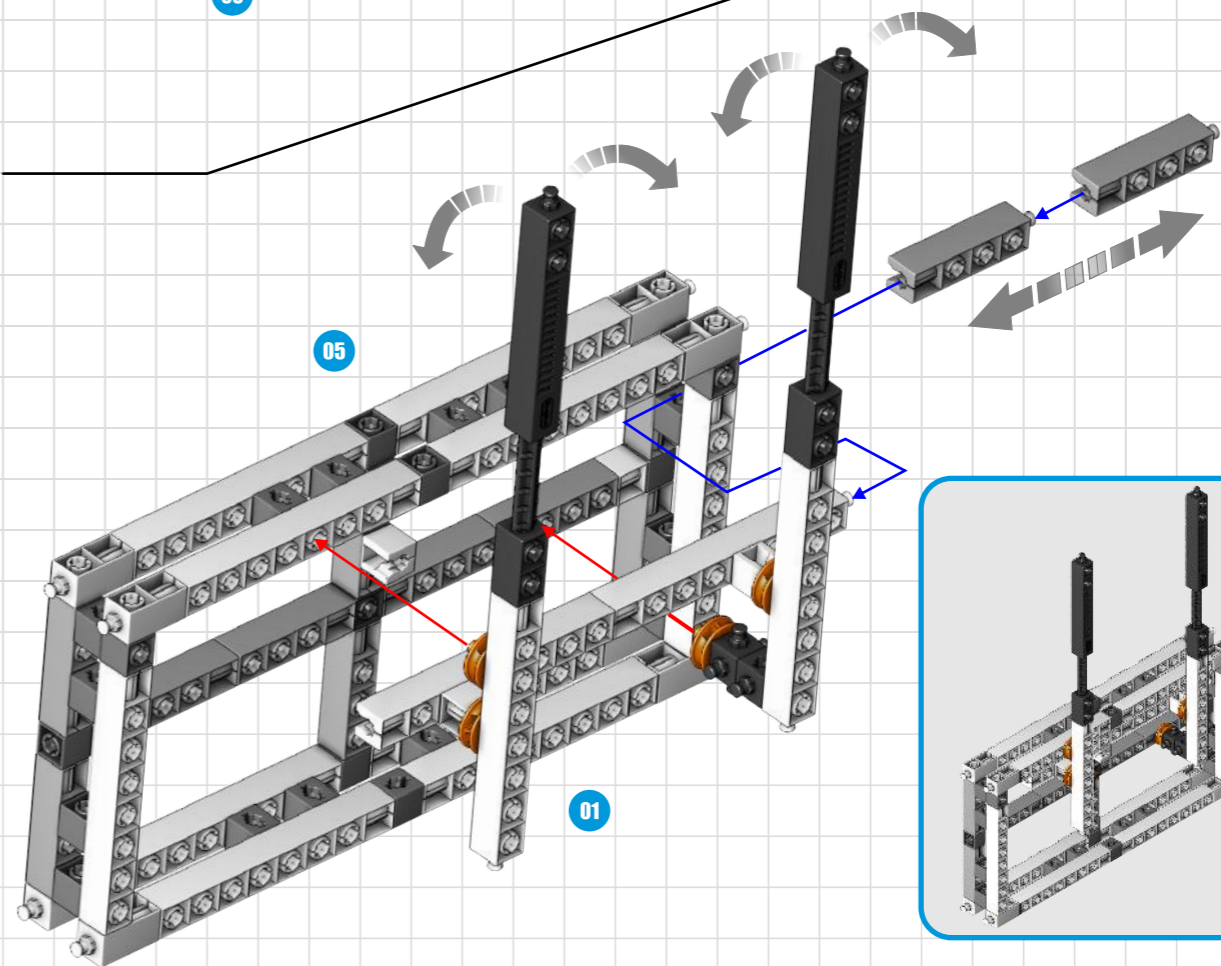
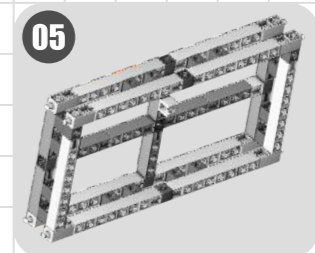
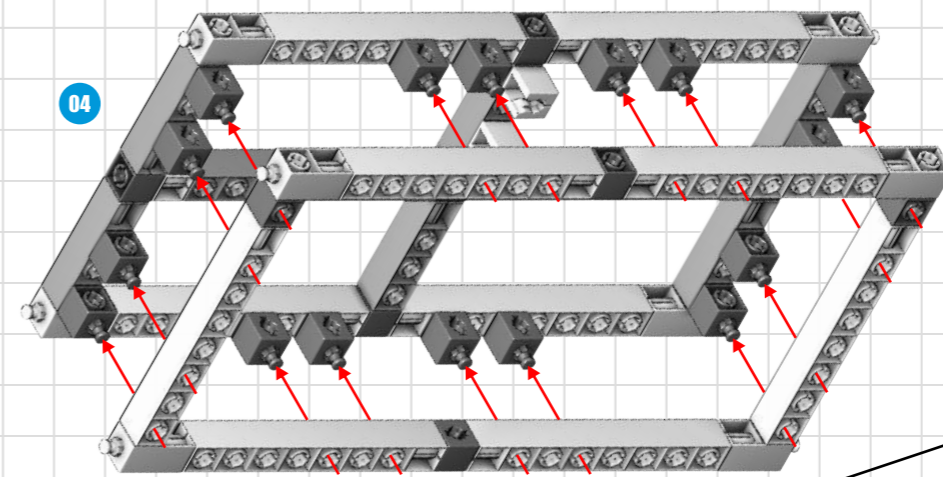
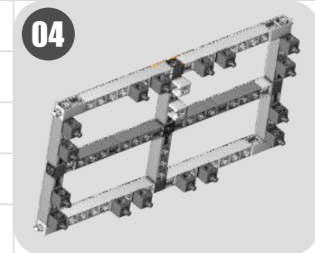
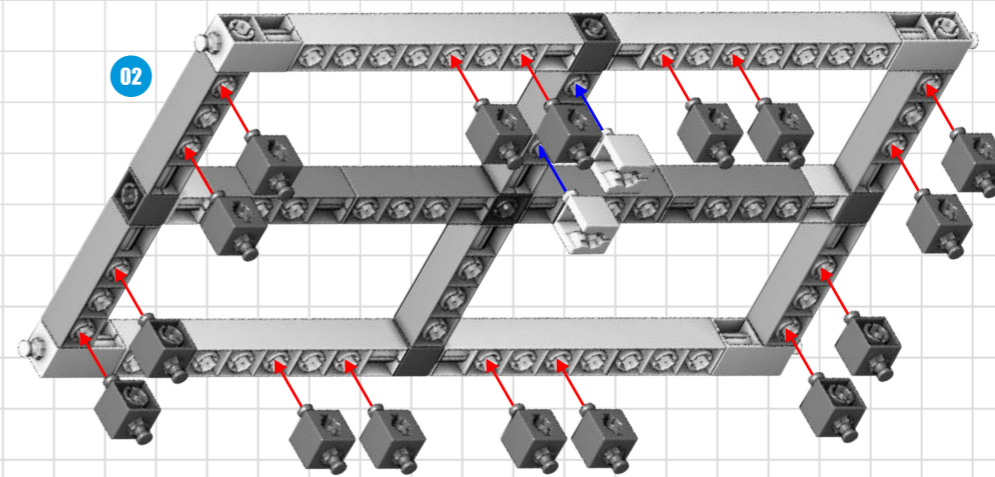


01

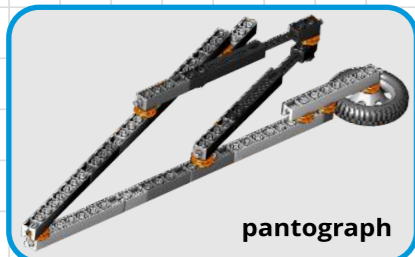
02

03

09

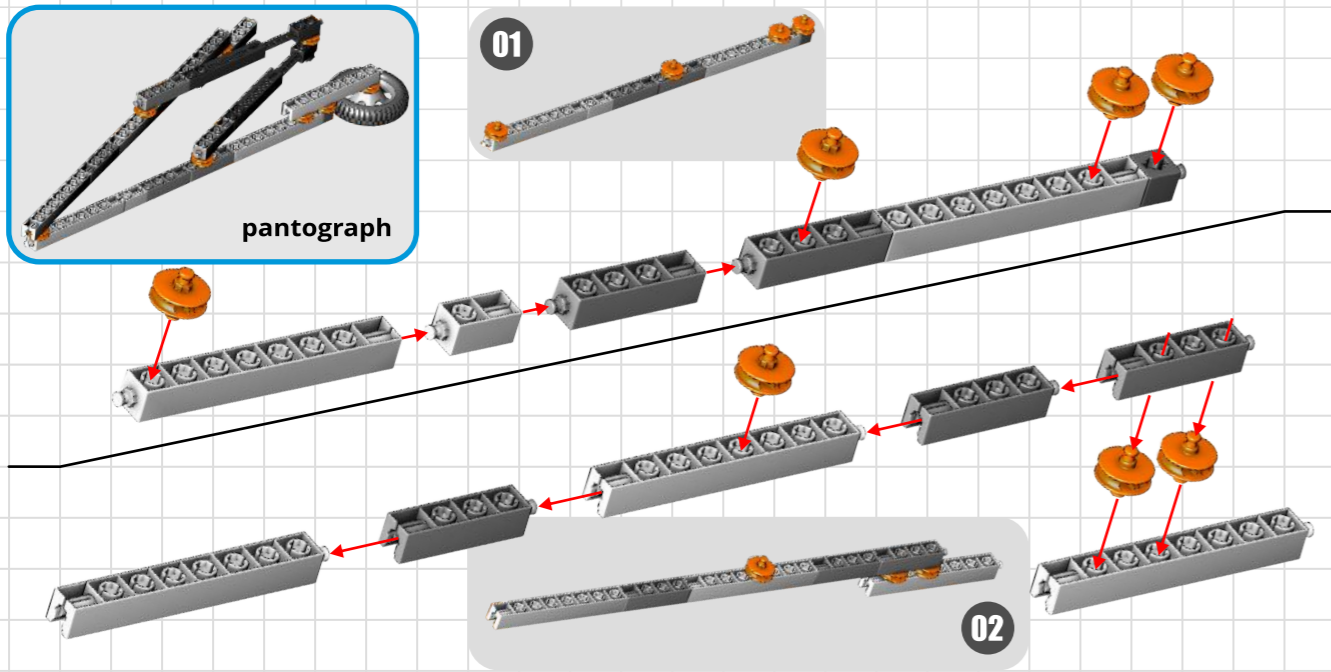


10

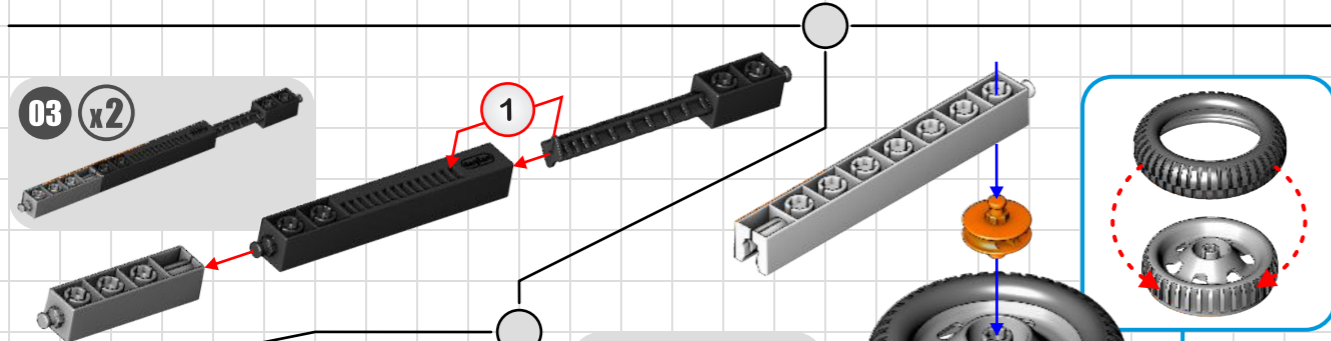


pantograph

01

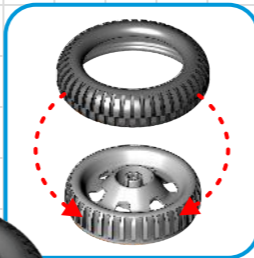


02

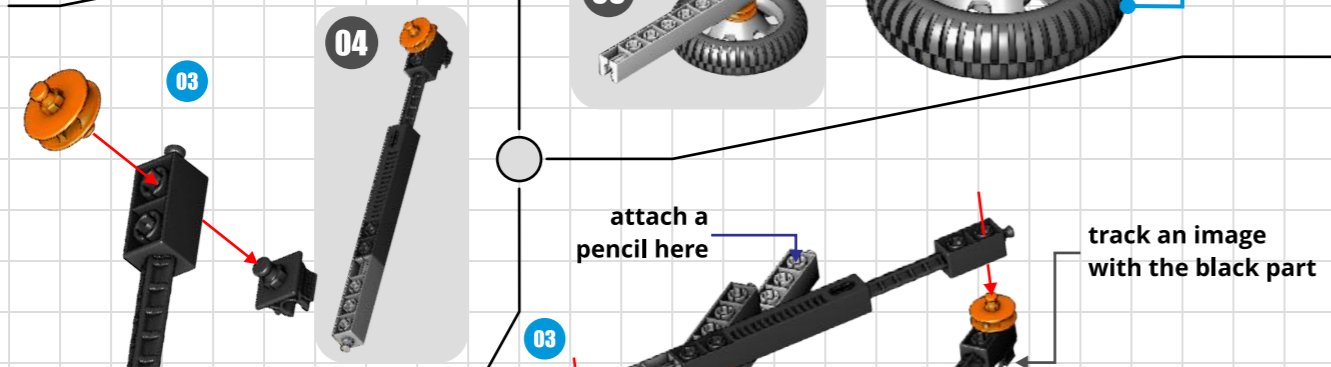


03 x2

1



05



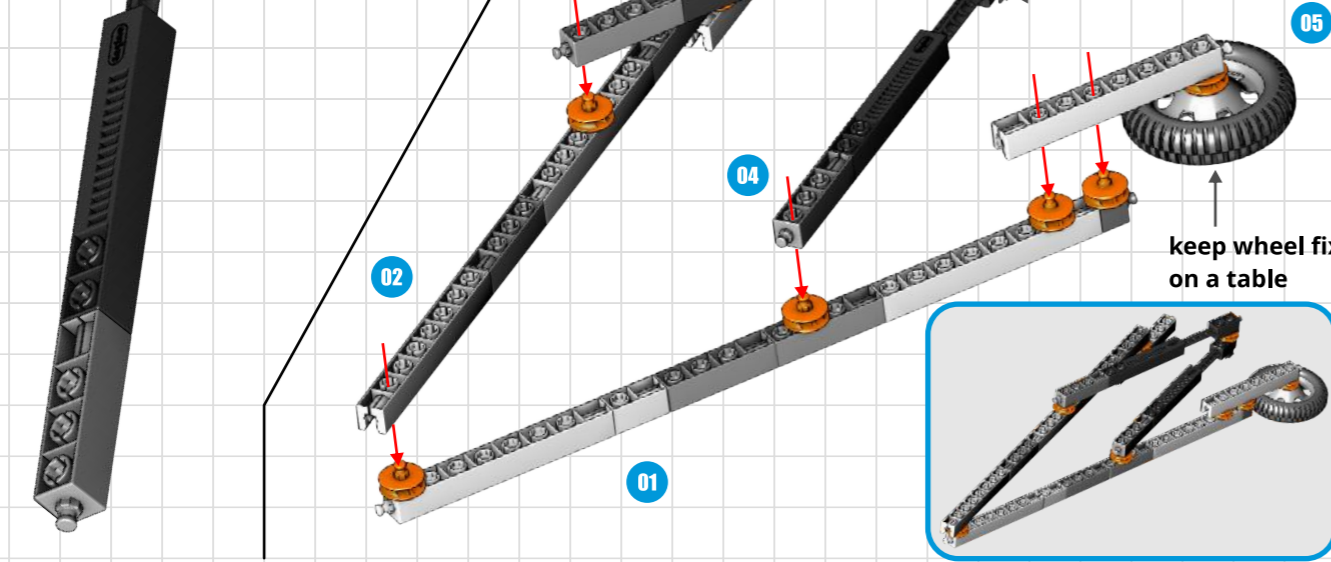
03

04

attach a pencil here

track an image with the black part

05



02

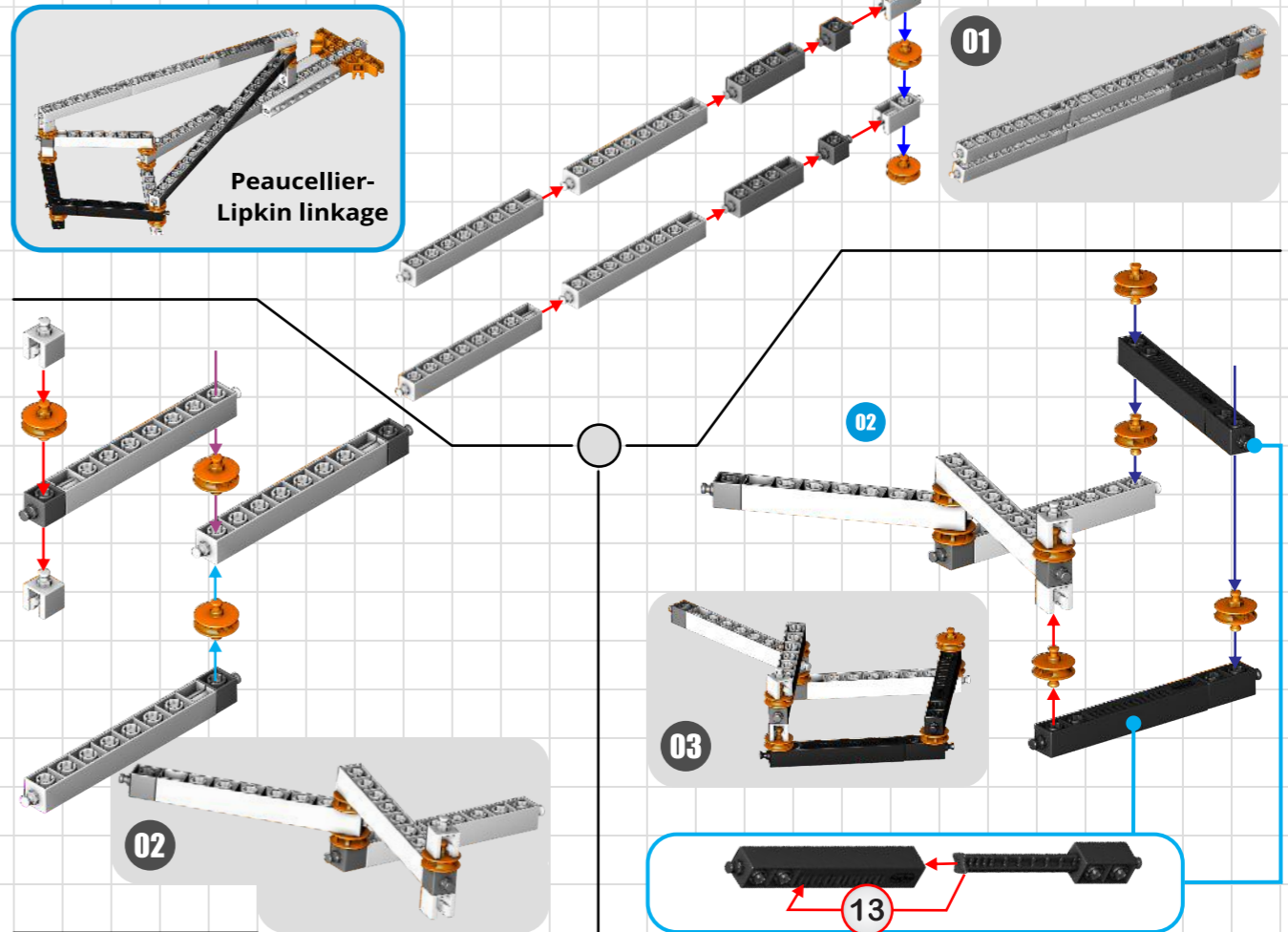
04

01

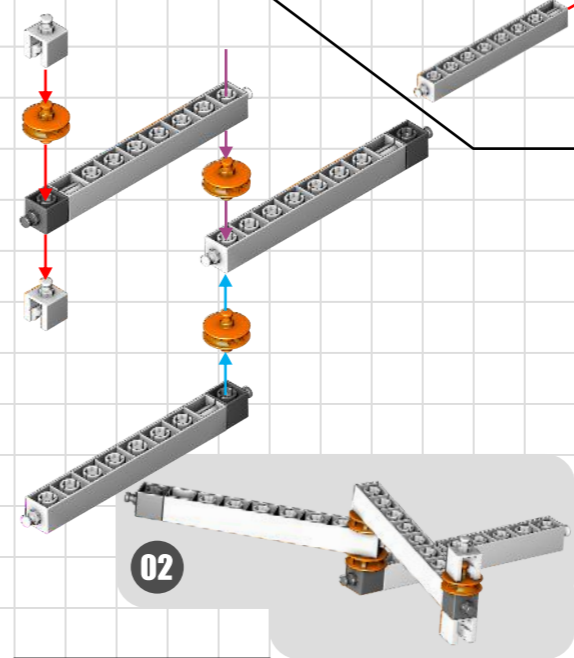


Peaucellier-Lipkin linkage

01

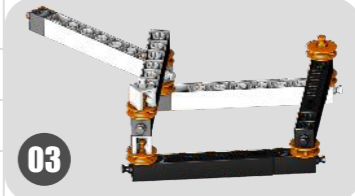


02

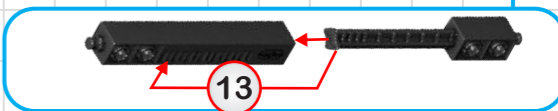


02

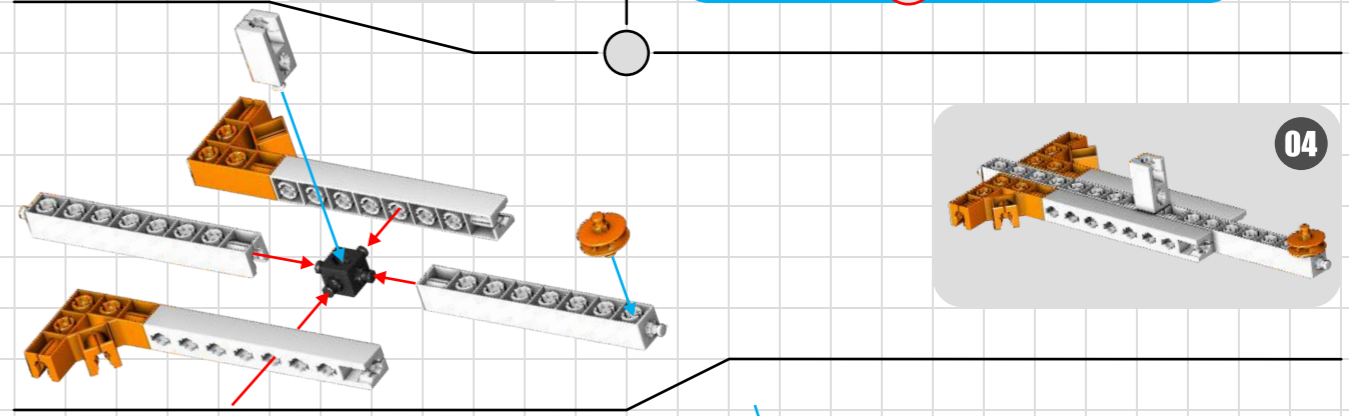
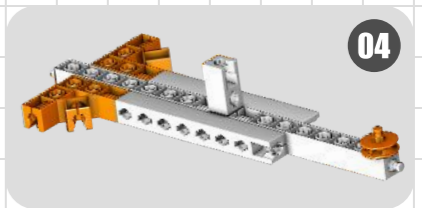
03



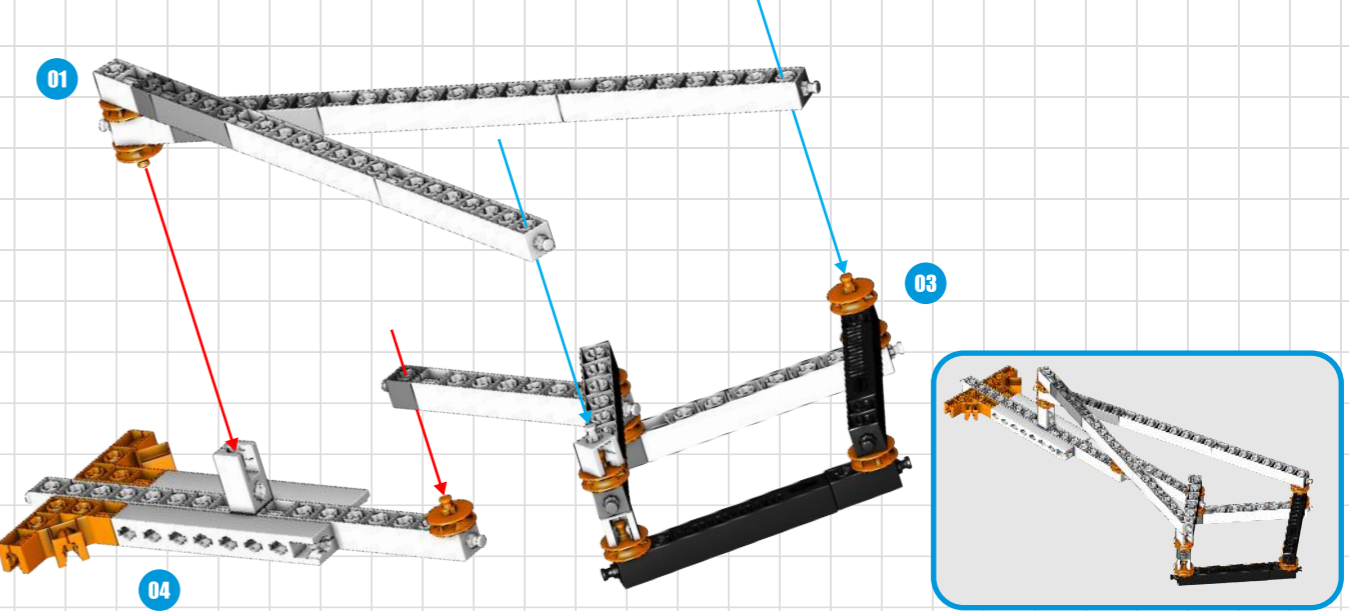
13



04



01



04

03

