

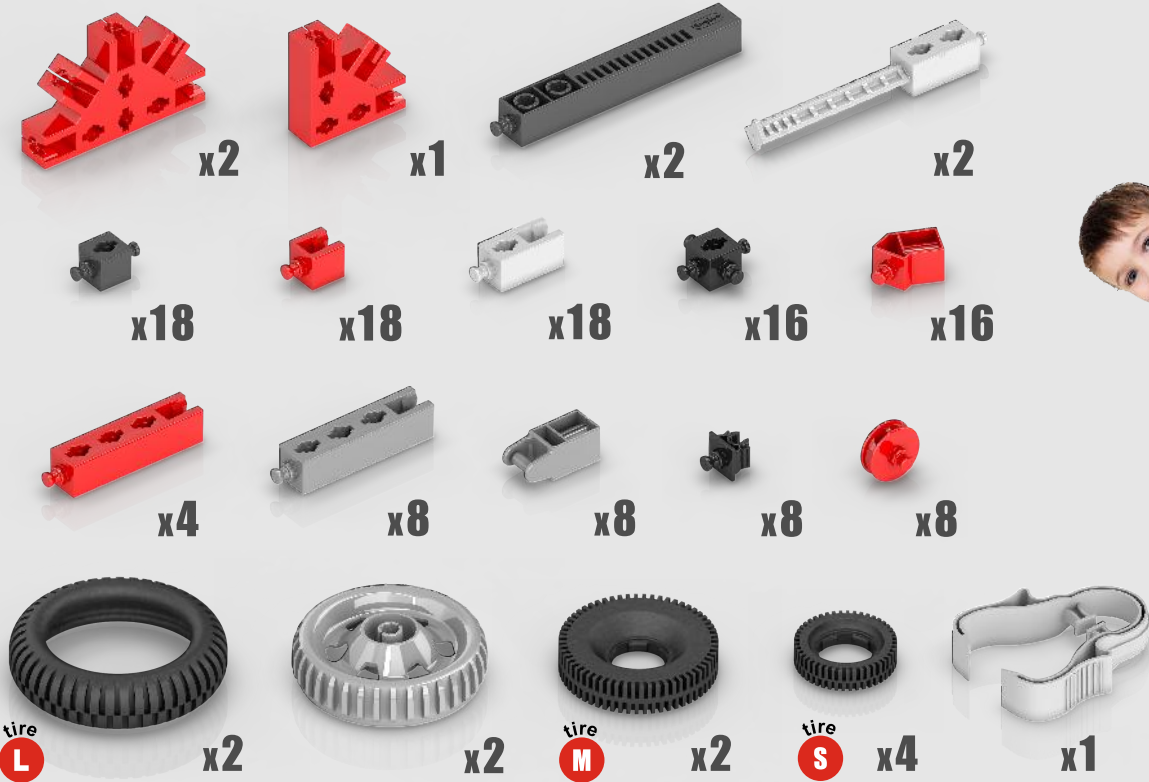
bill of materials

**+ Engino® Models 3D Viewer**

Load Engino® models, rotate, zoom and explode to see how the model can be assembled.



awards  
récompenses  
auszeichnungen  
premi  
premios  
награды

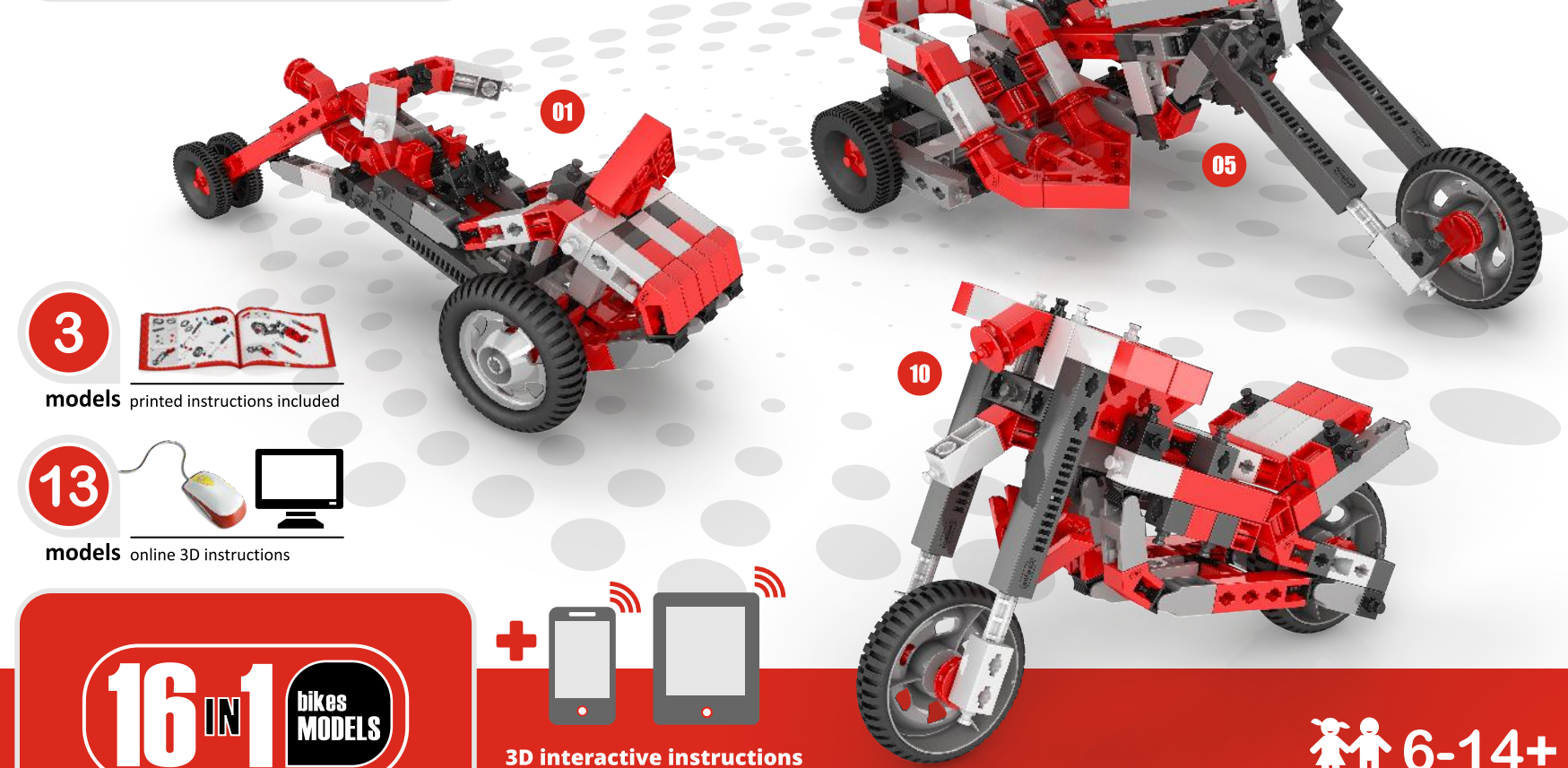


© Copyright 2016 Engino.net Ltd. All Rights Reserved.

**WARNING:**  
CHOKING HAZARD - Small parts.  
Not for children under 3 yrs.



Engino.net Ltd  
P.O.Box 72100, 4200 Limassol, Cyprus, European Union  
Tel.: +357 25821960, Fax: +357 25821961  
Email: info@engino.com, Website: www.engino.com



**3** models printed instructions included

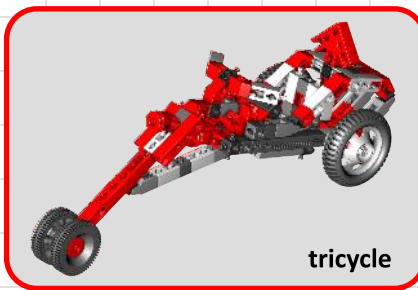
**13** models online 3D instructions



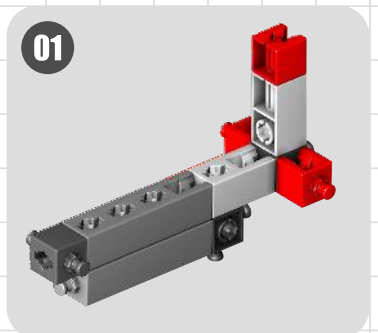
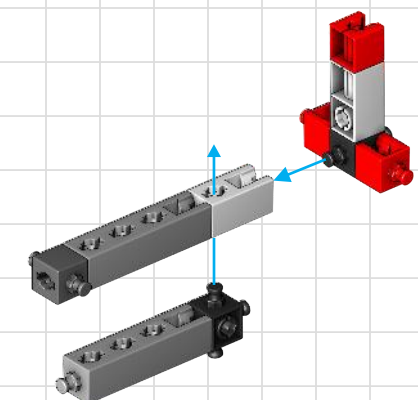
**3D interactive instructions**  
to download on your smart device

**16 IN 1** bikes MODELS

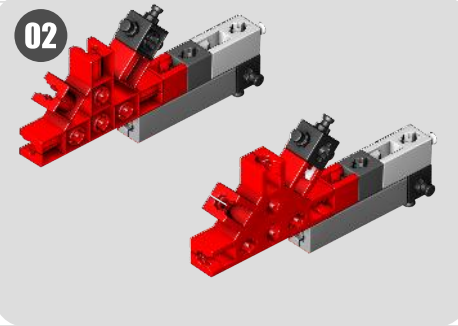
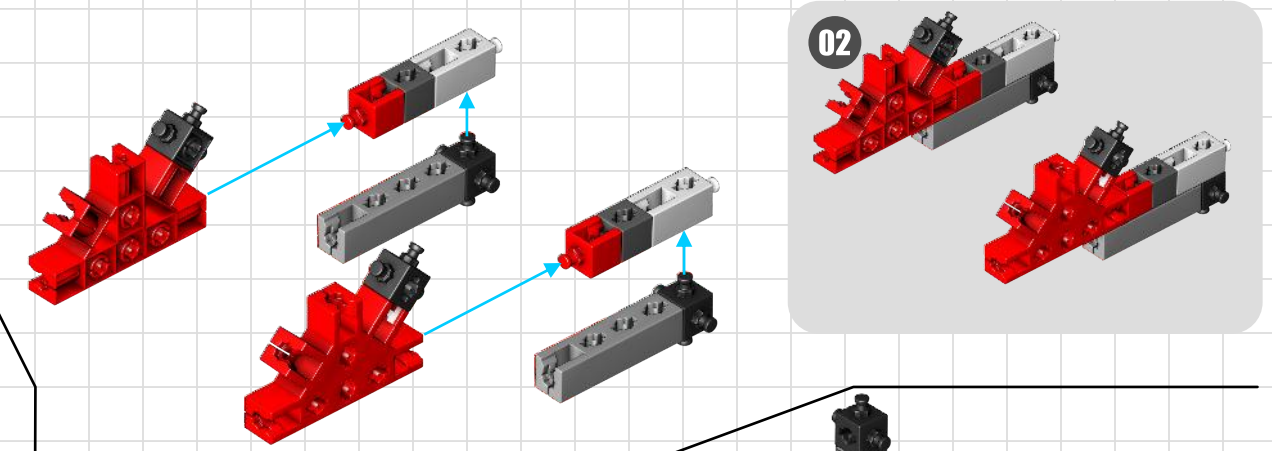
**6-14+**



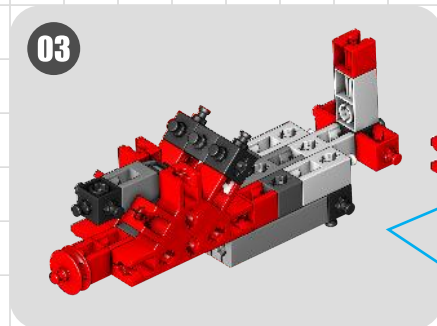
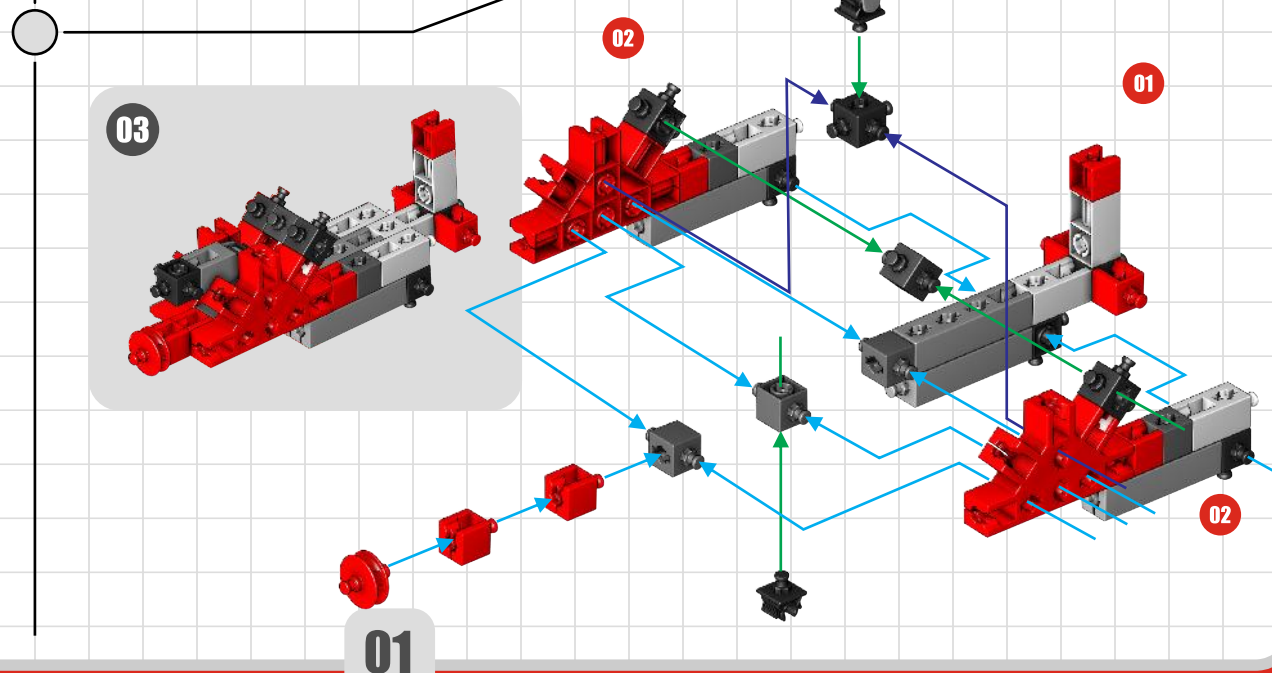
tricycle



01

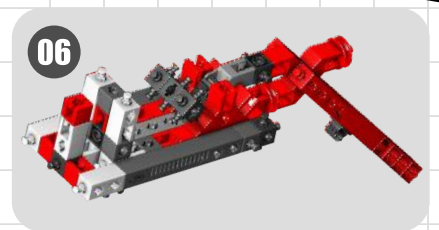
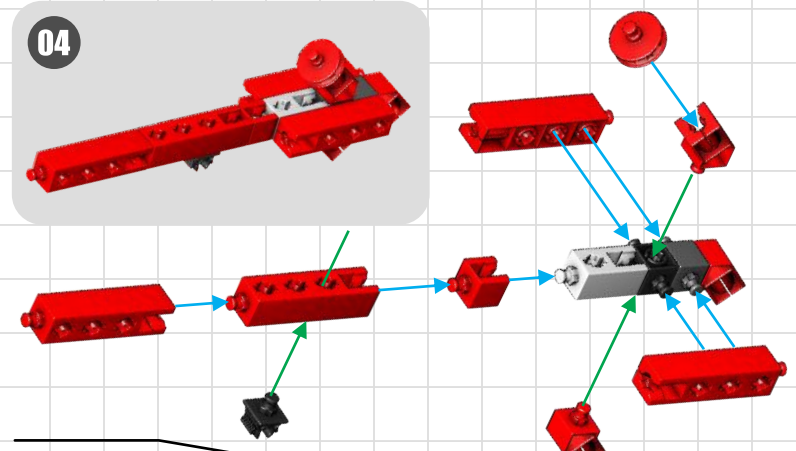


02

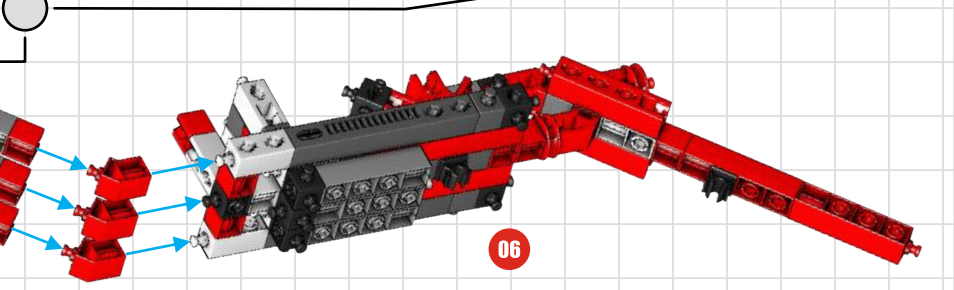
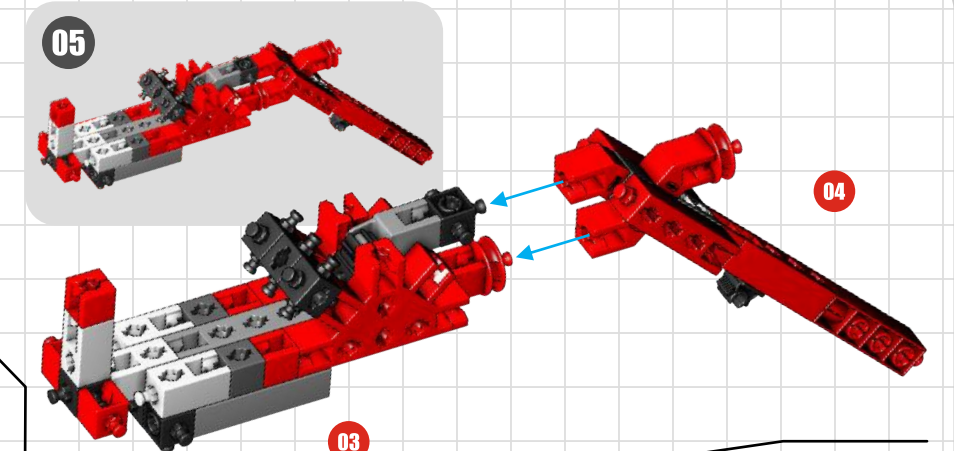


03

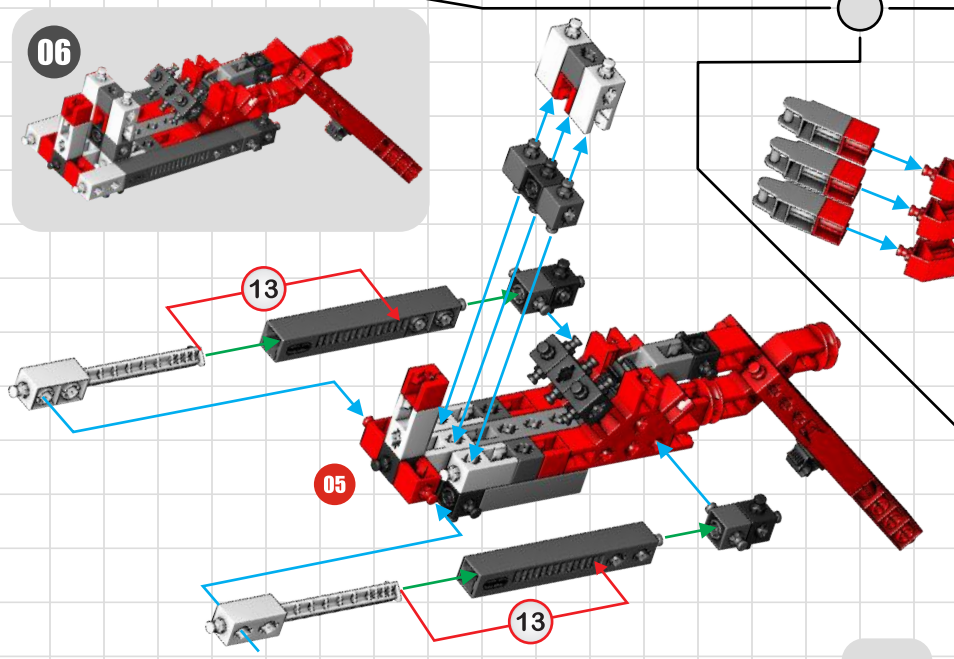
01



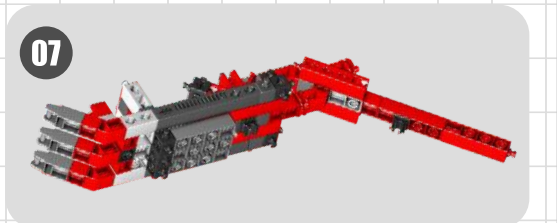
06



06

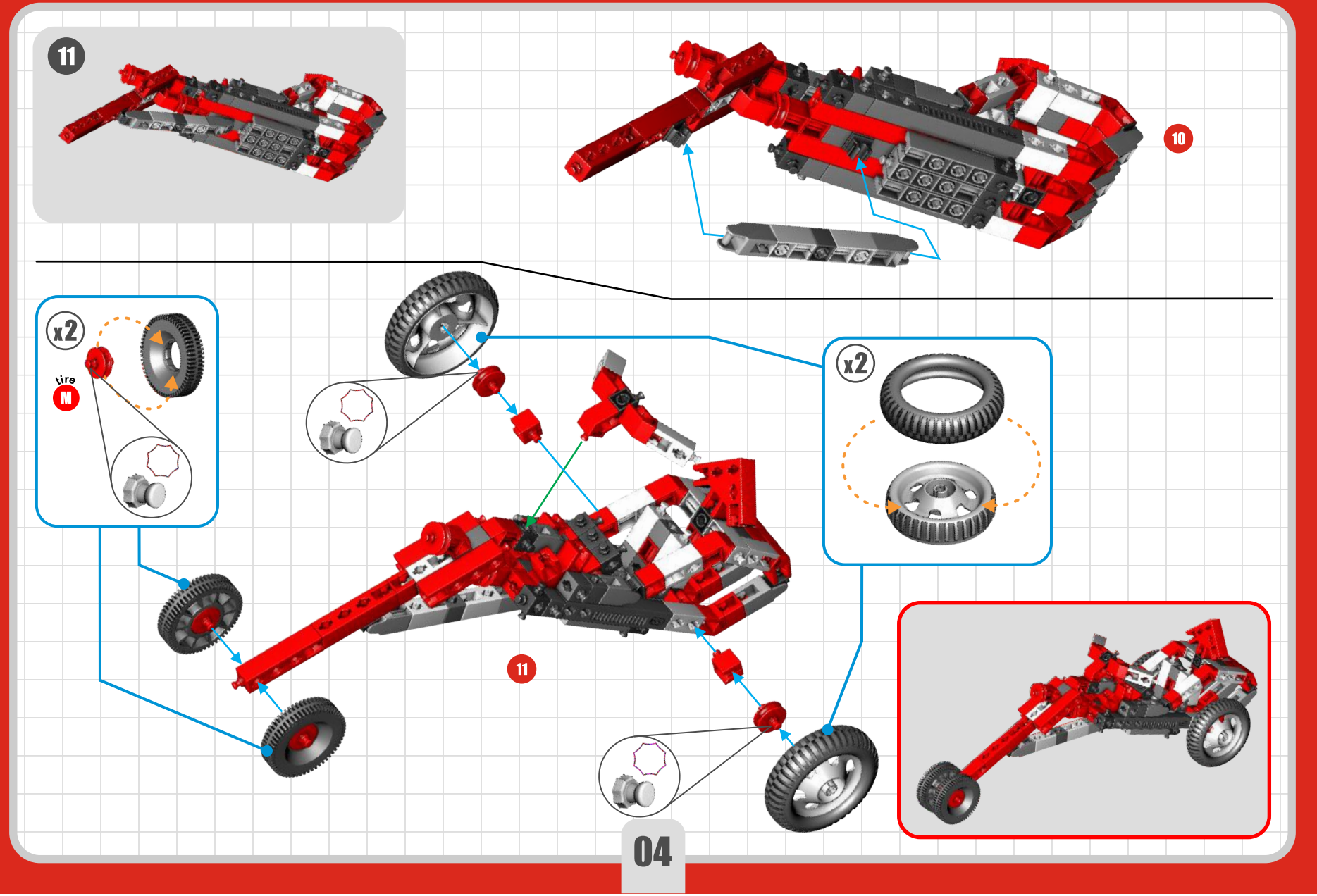
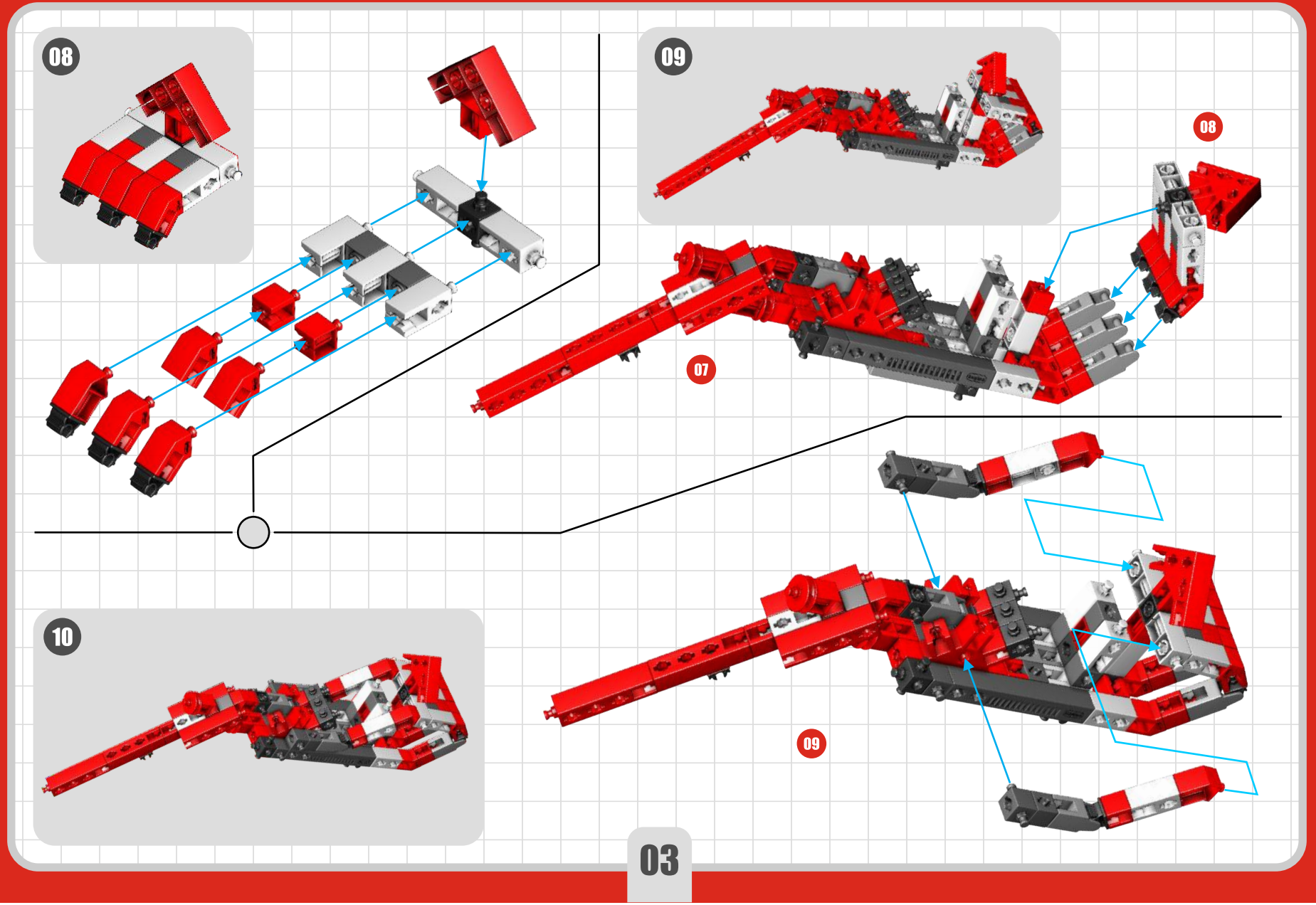


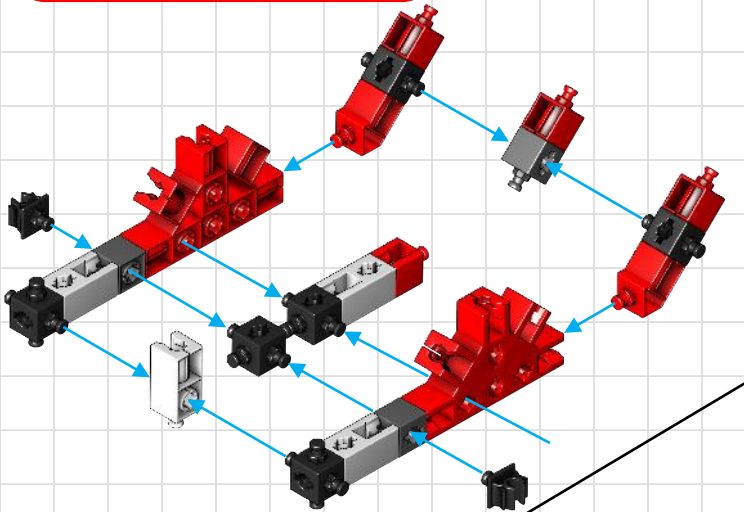
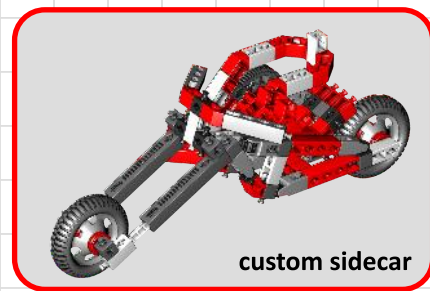
02



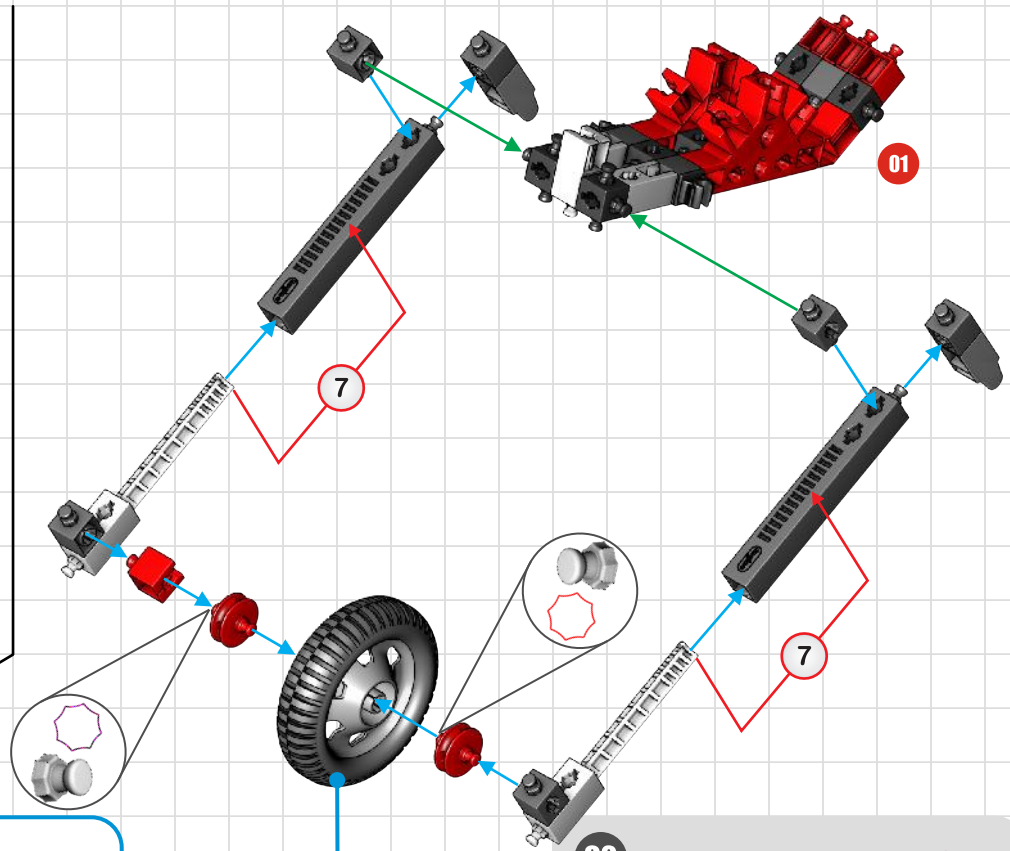
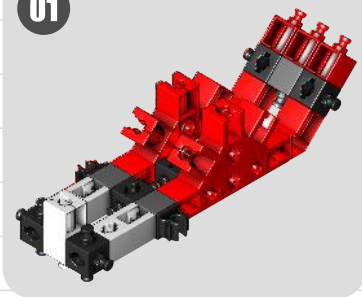
07



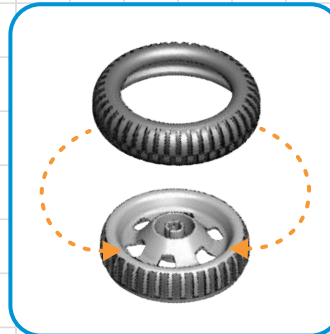




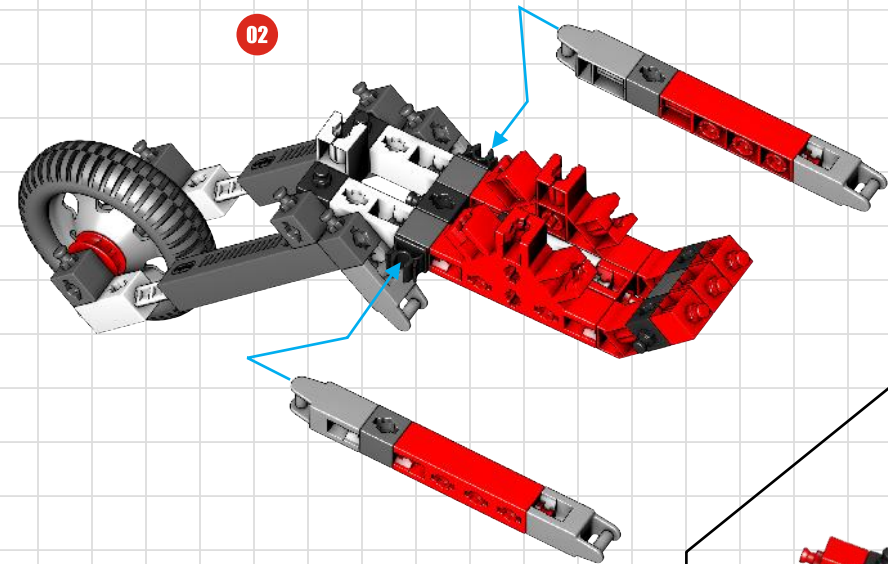
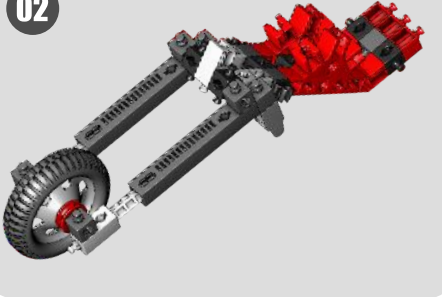
01



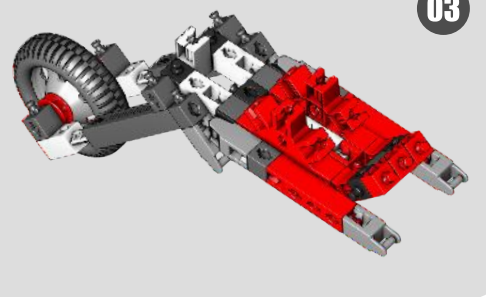
05



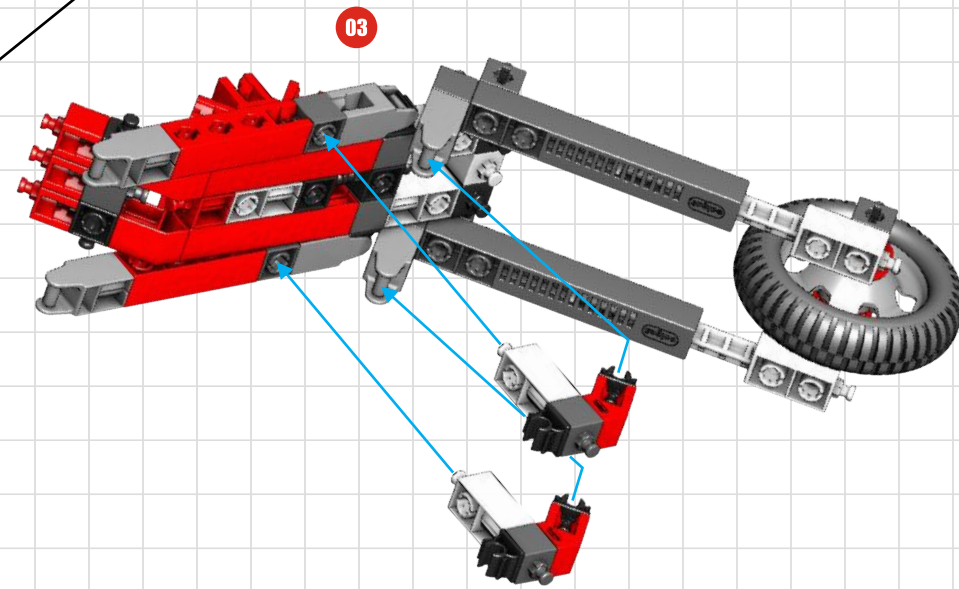
02



02

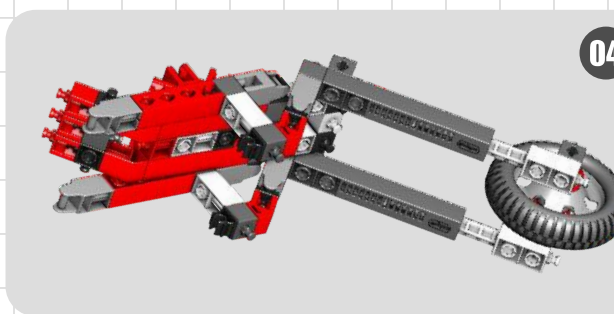


03



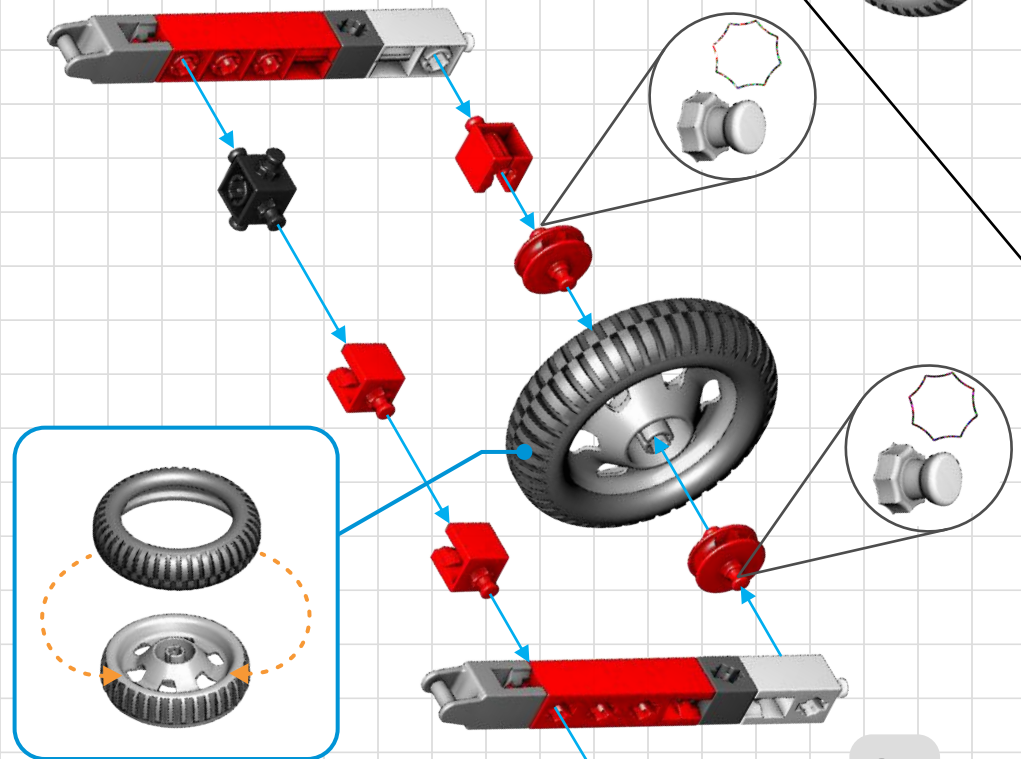
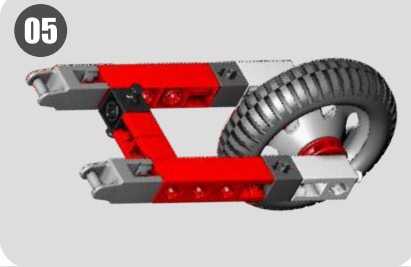
03

06

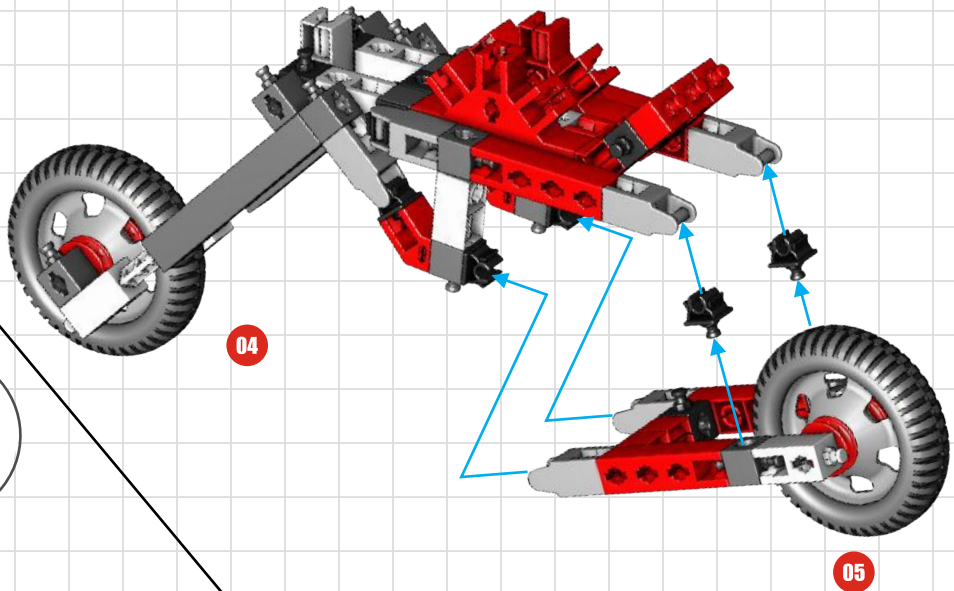


04



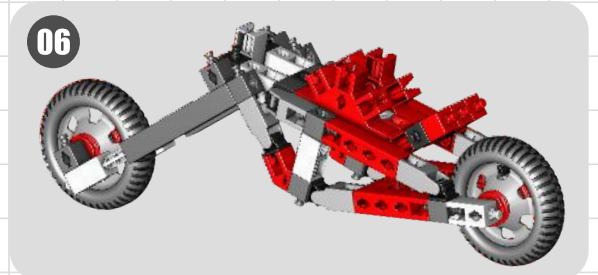


07

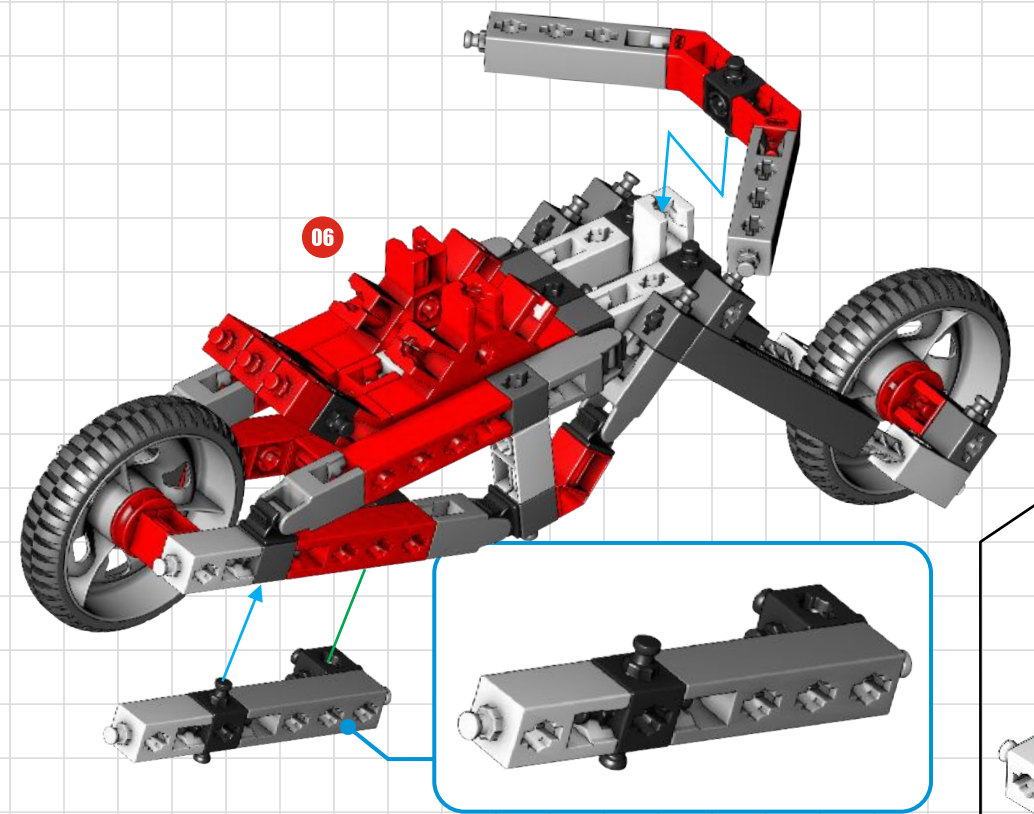


04

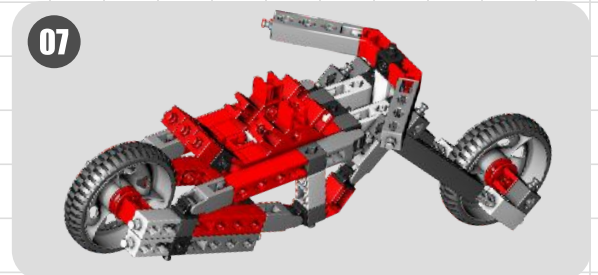
05



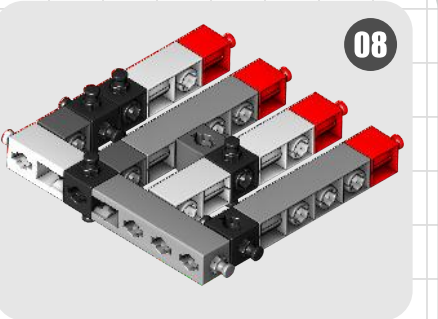
06



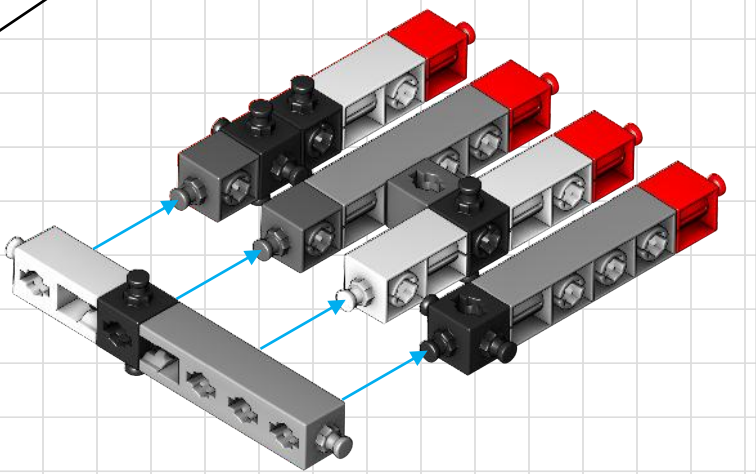
06



07



08



08

08

09

10

07

11

09

09

tire M

super motard

01 x2

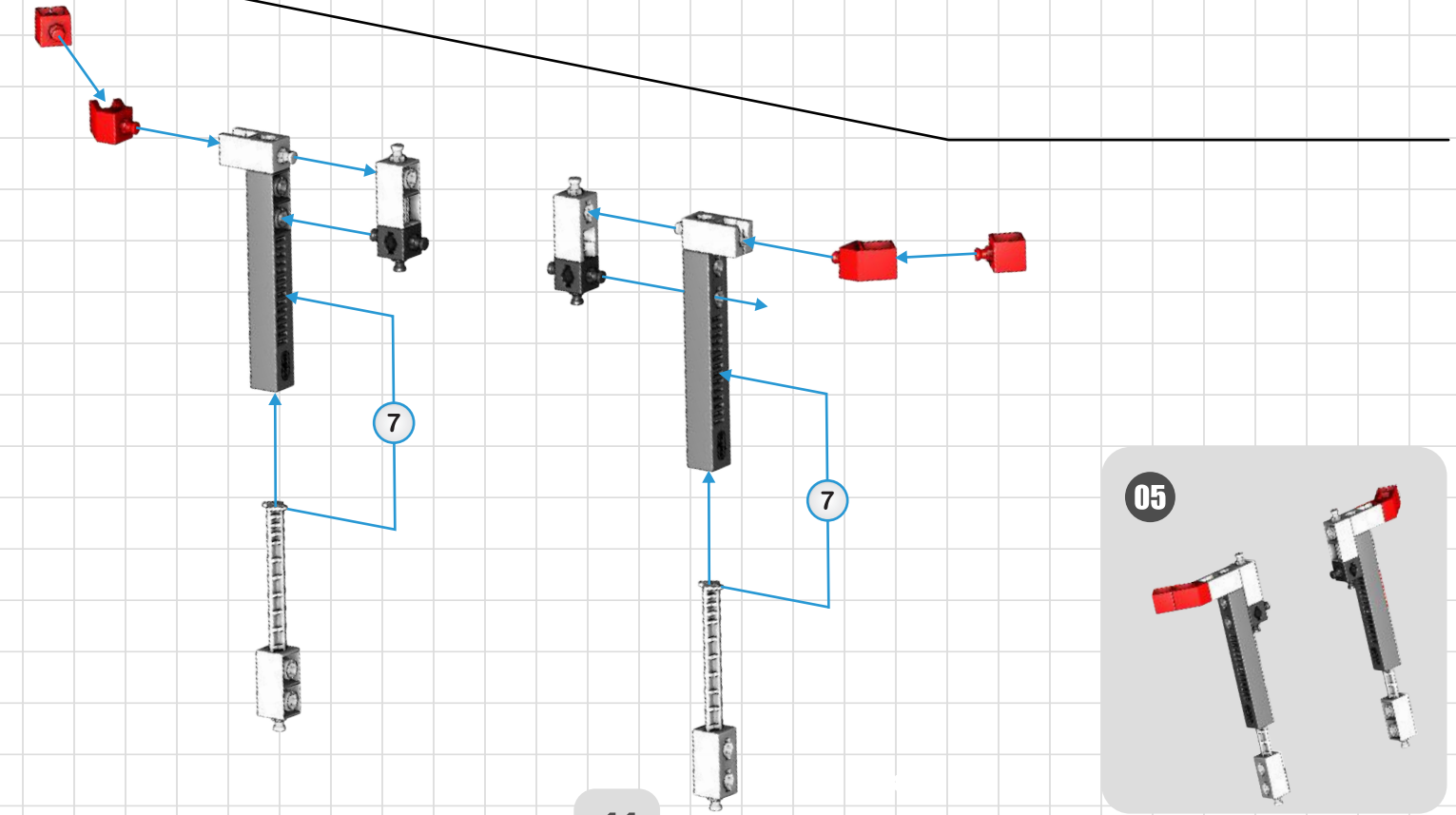
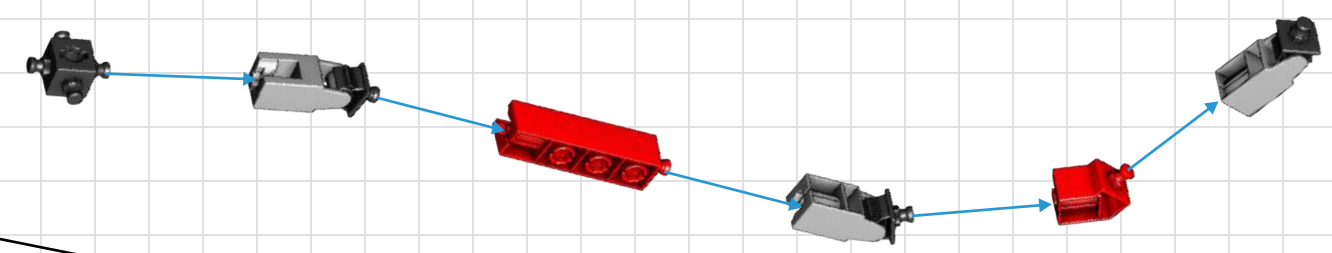
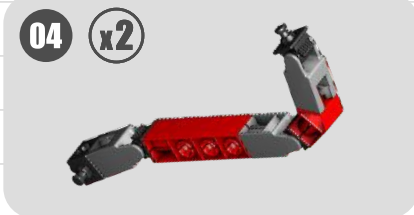
02

03 x2

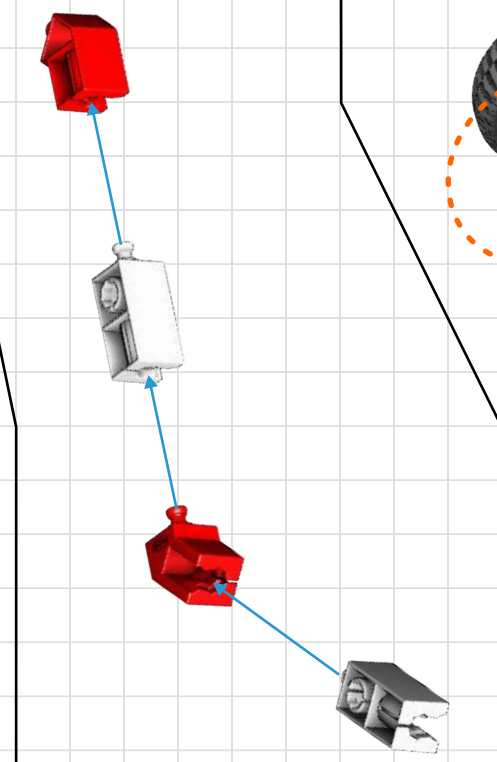
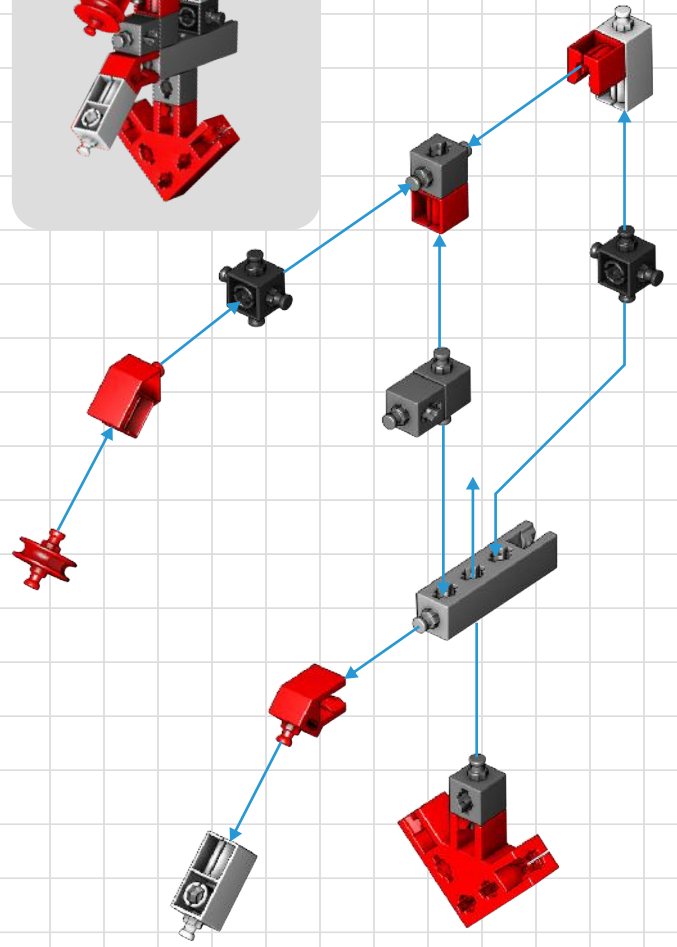
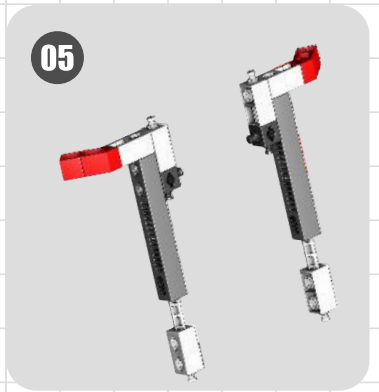
10

10





11



12

