

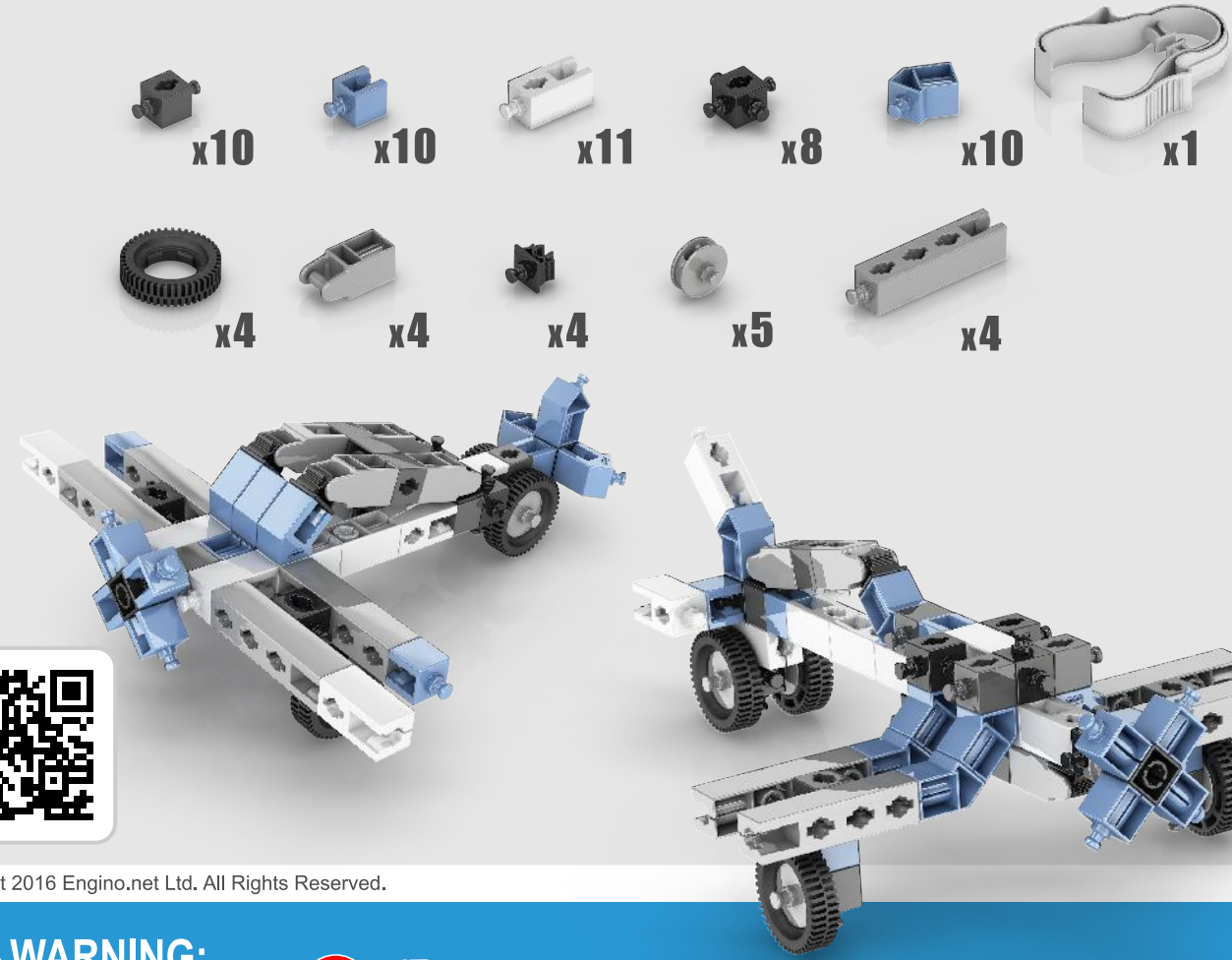
bill of materials

**+Engino® Models 3D Viewer**

Load Engino® models, rotate, zoom and explode to see how the model can be assembled.



awards  
récompenses  
auszeichnungen  
premi  
premios  
награды

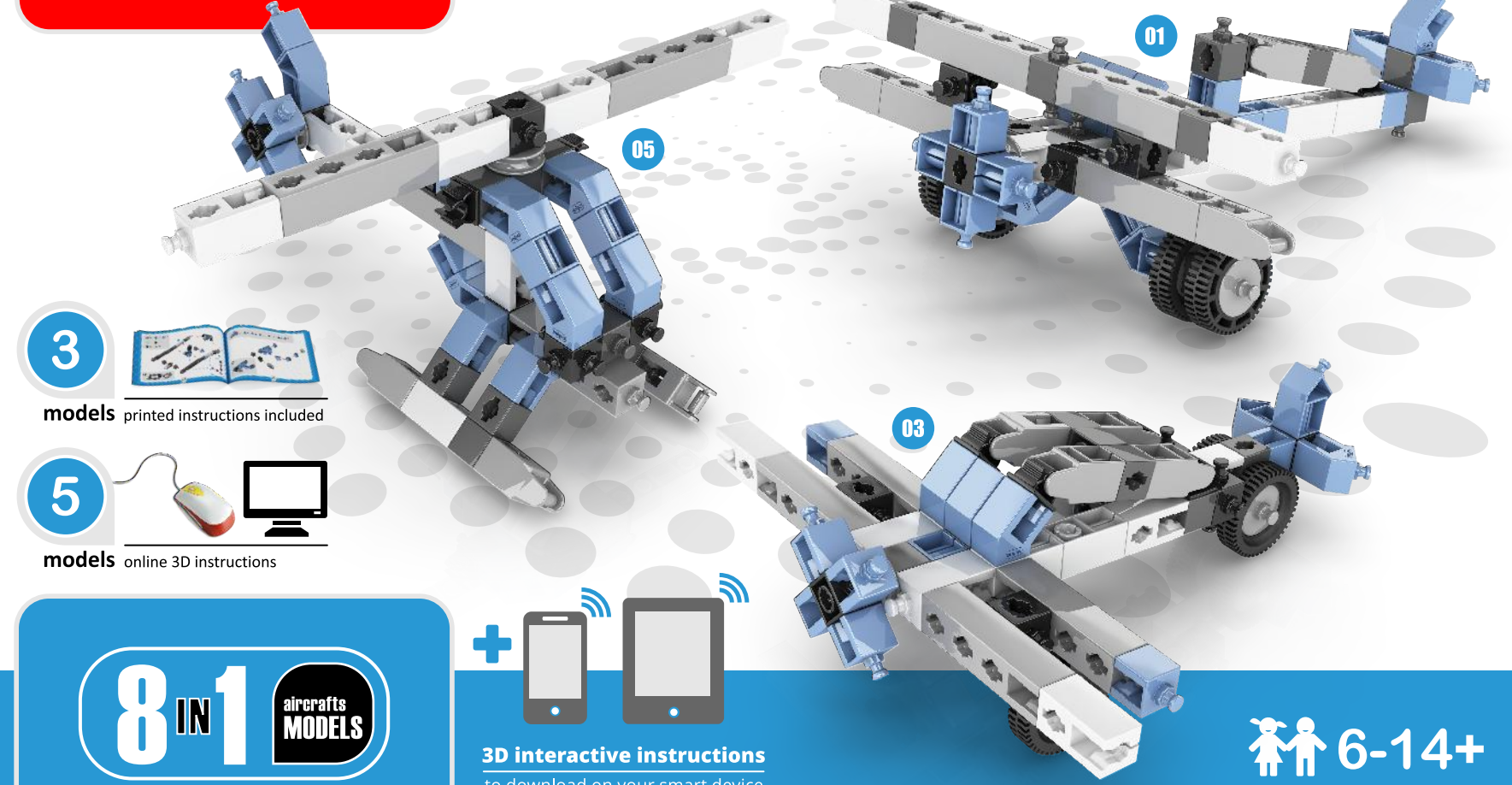


© Copyright 2016 Engino.net Ltd. All Rights Reserved.

**WARNING:**  
CHOKING HAZARD - Small parts.  
Not for children under 3 yrs.



Engino.net Ltd  
P.O.Box 72100, 4200 Limassol, Cyprus, European Union  
Tel.: +357 25821960, Fax: +357 25821961  
Email: info@engino.com, Website: www.engino.com



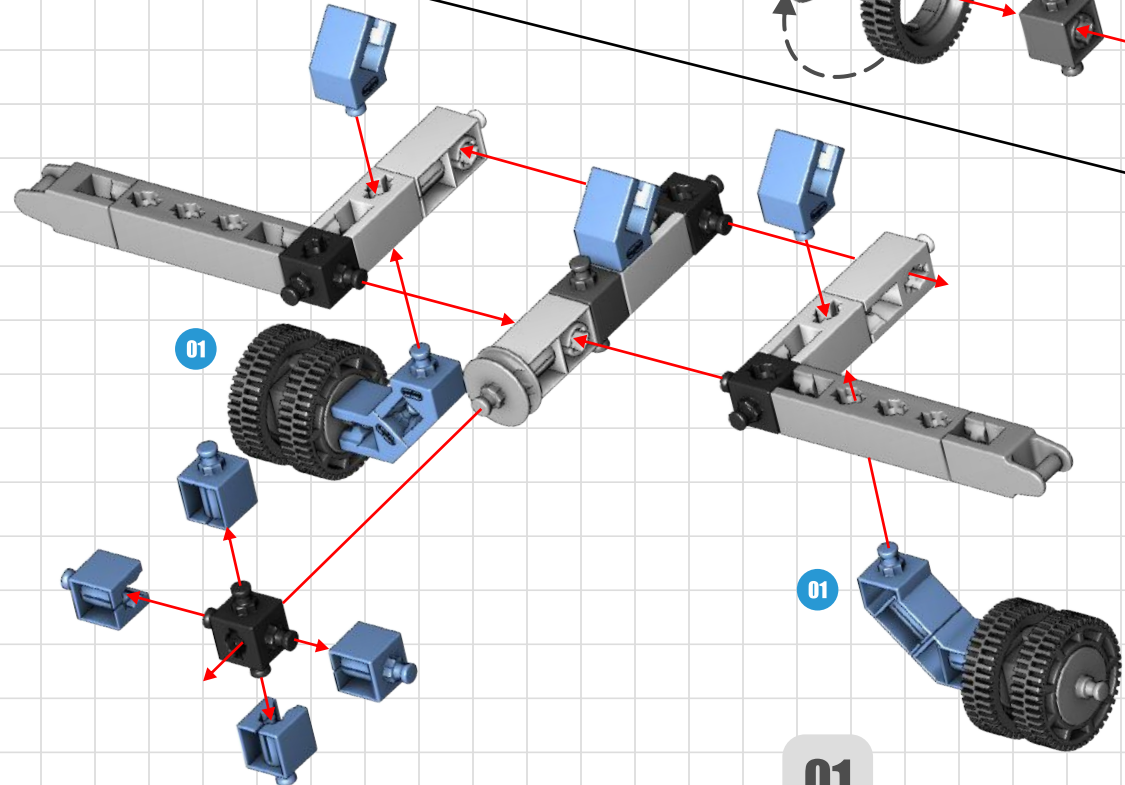
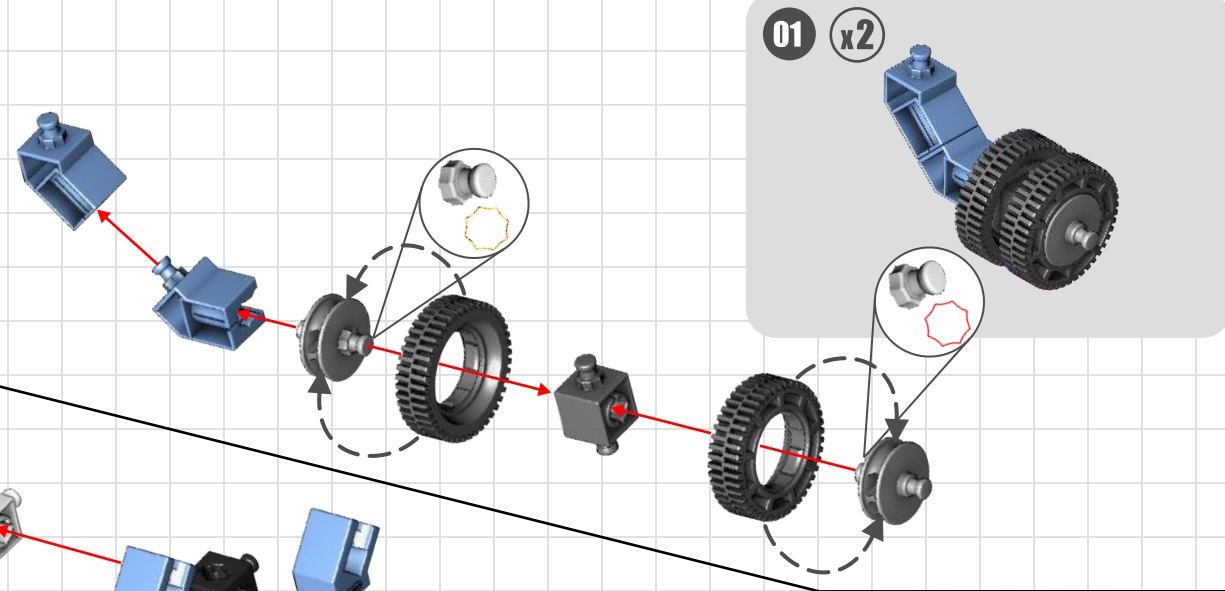
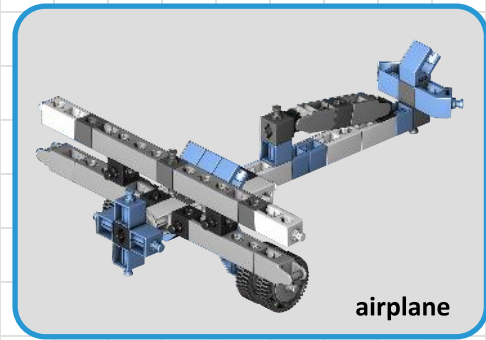
**3** models printed instructions included

**5** models online 3D instructions

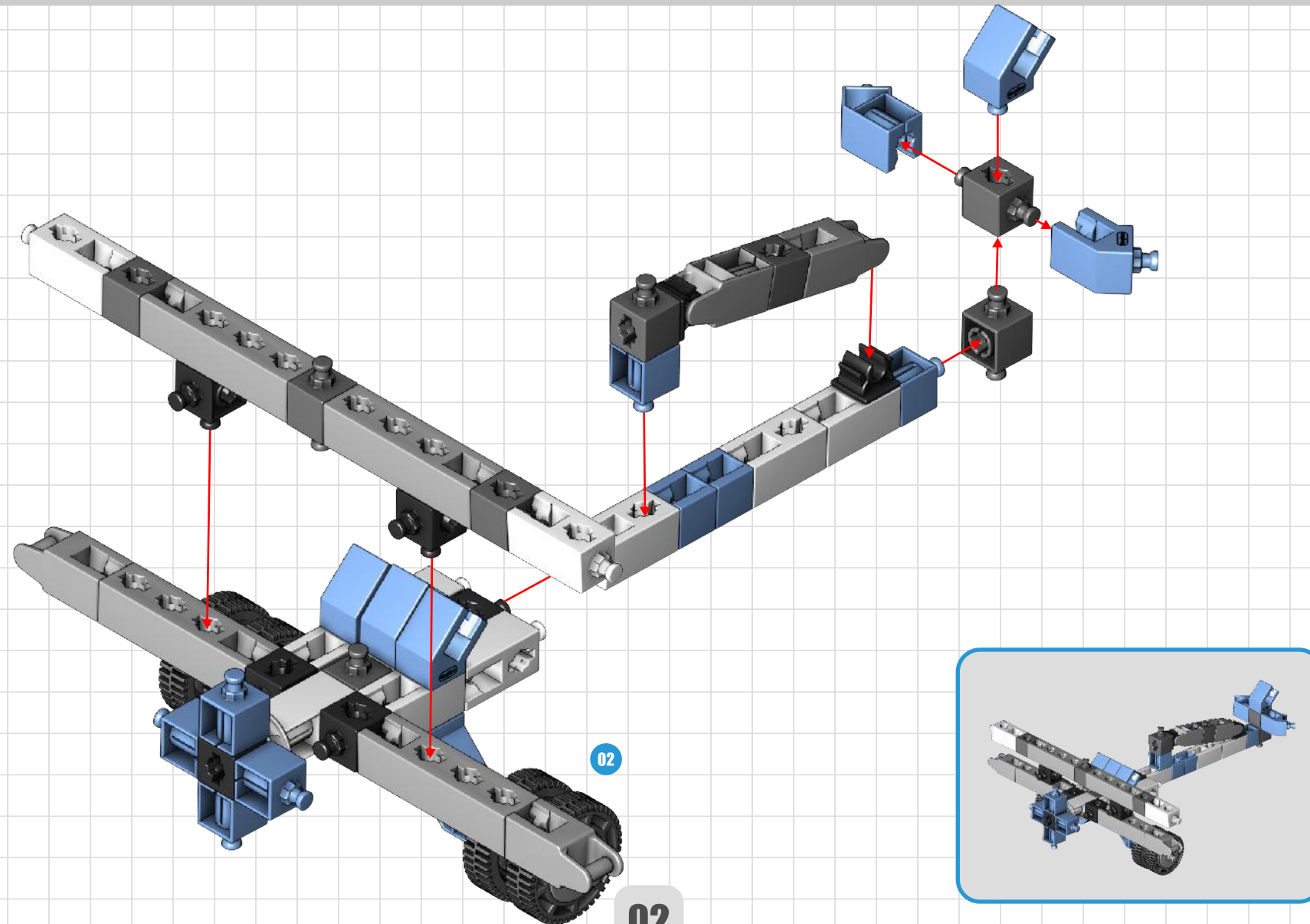
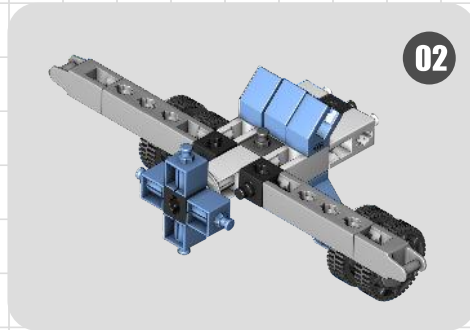


**3D interactive instructions**  
to download on your smart device

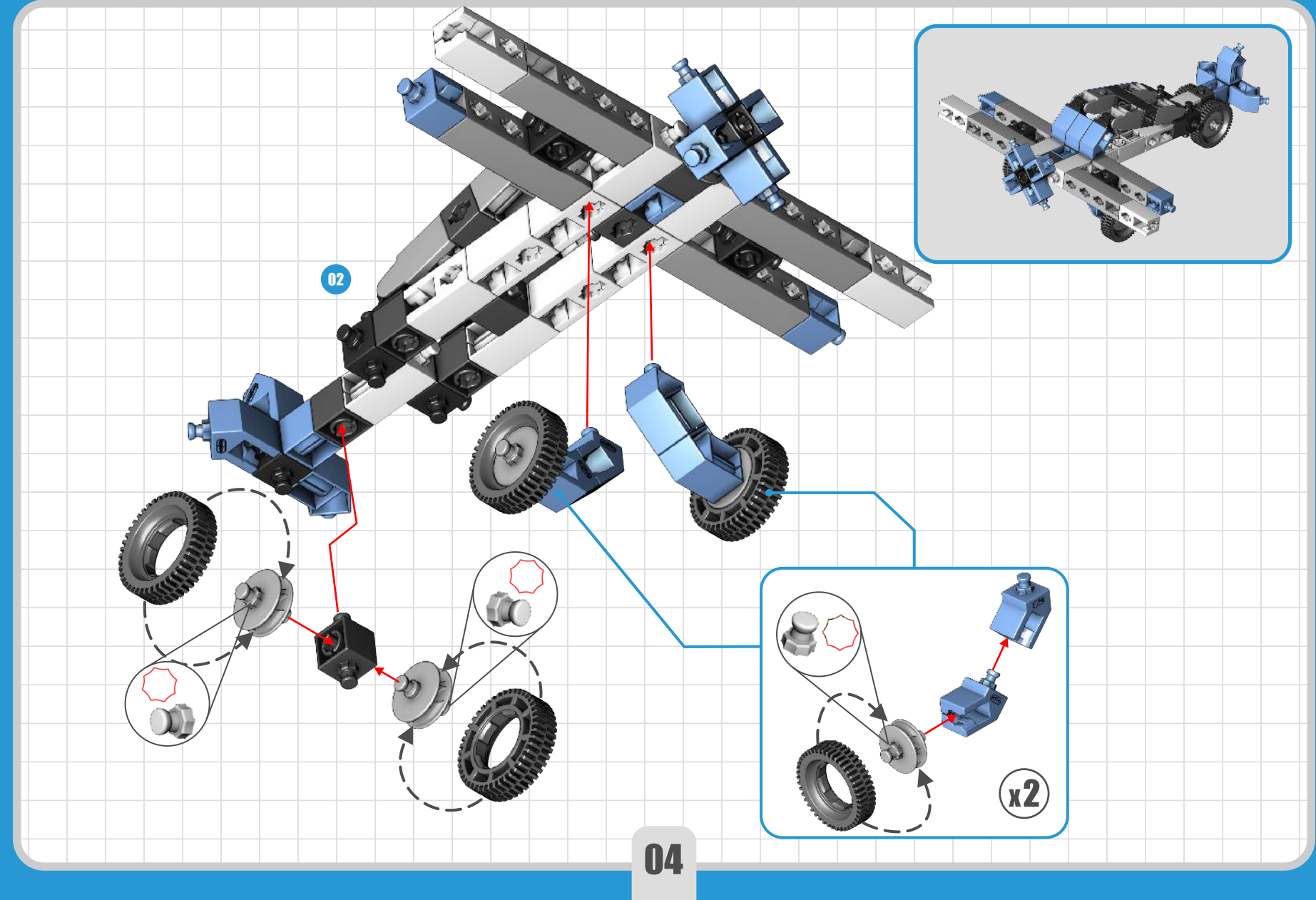
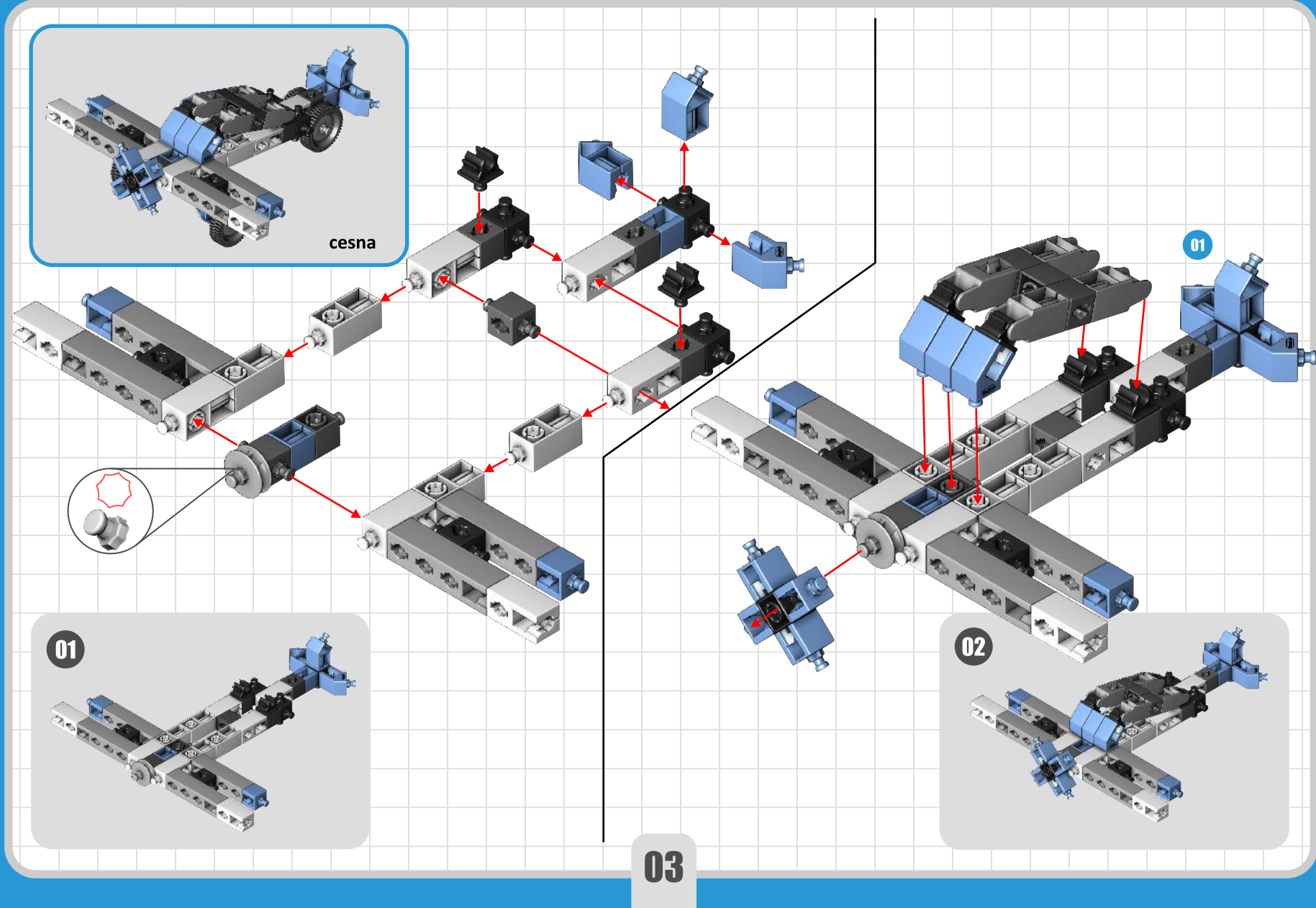
**6-14+**

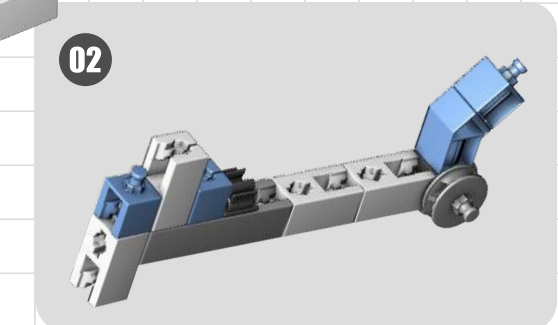
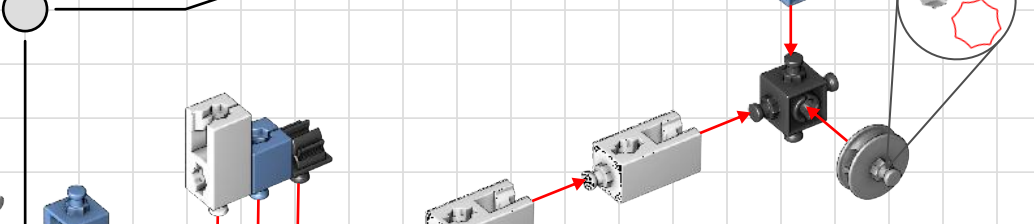
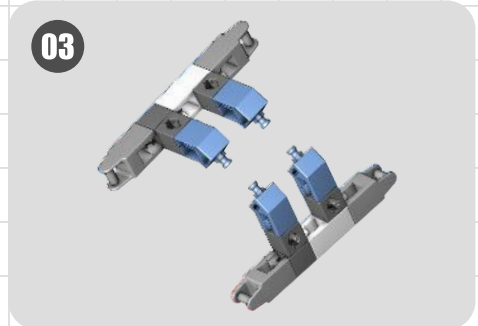
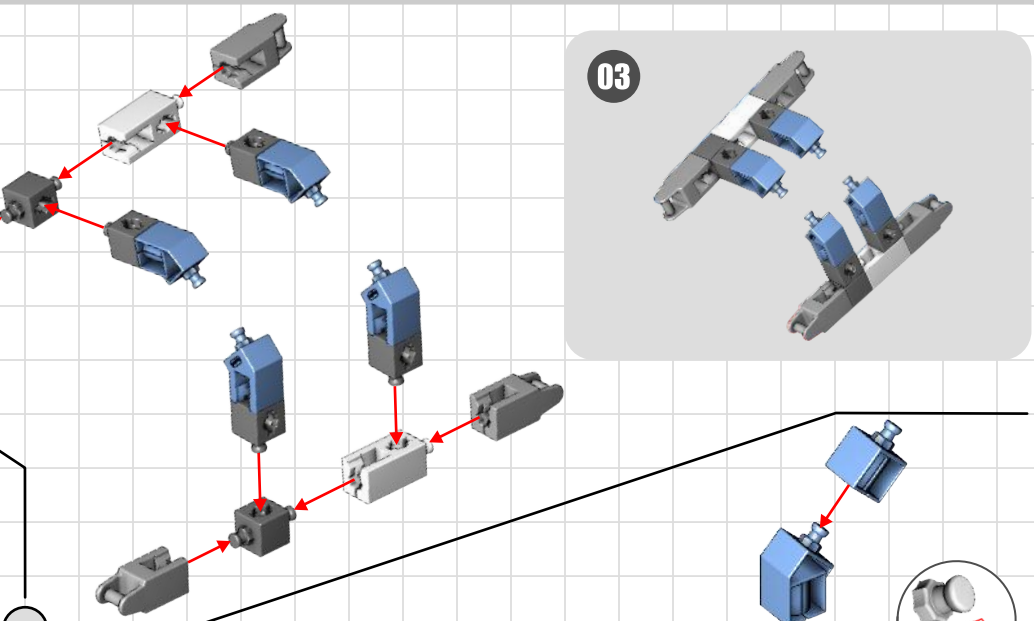
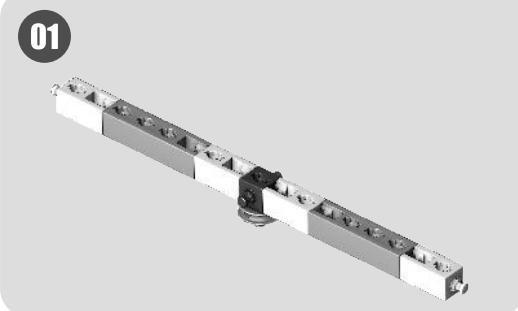
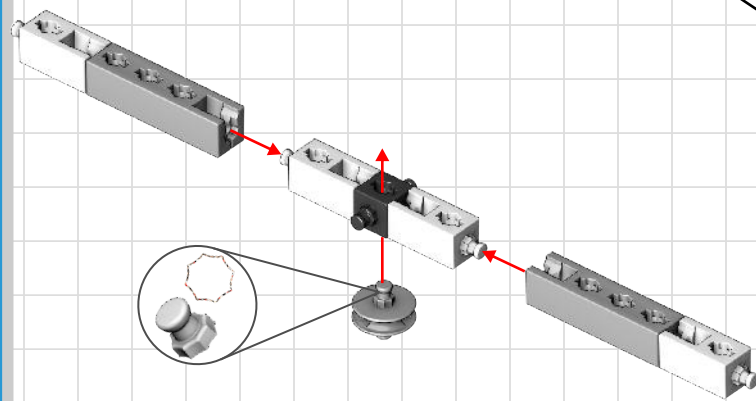
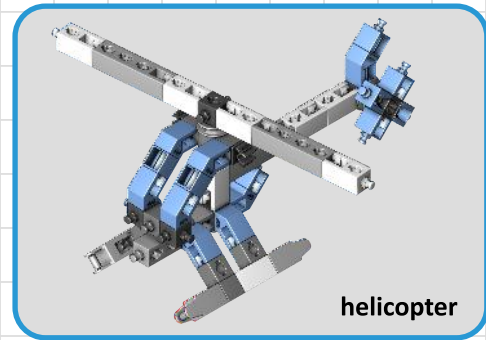


01

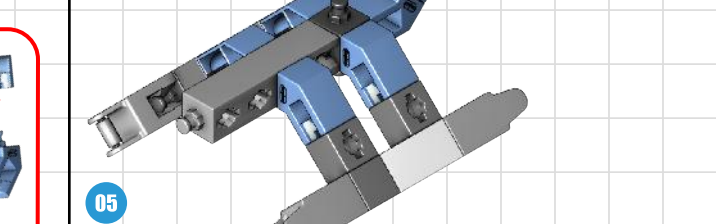
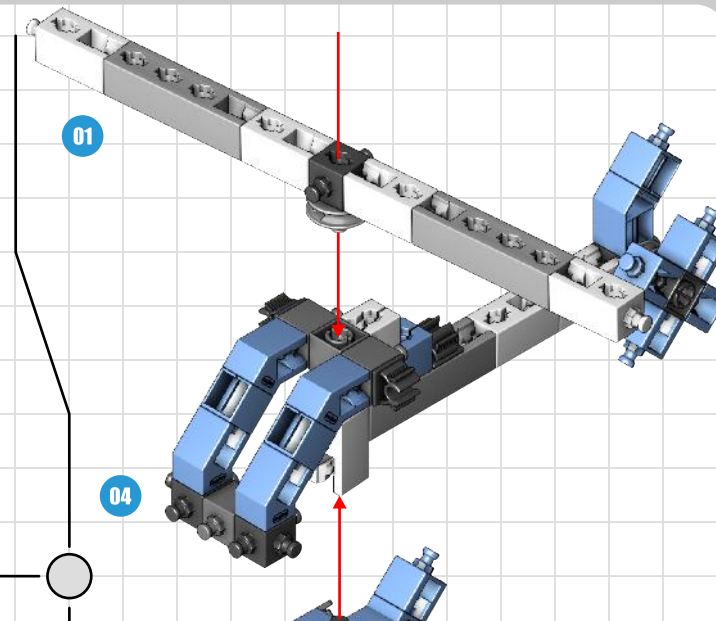
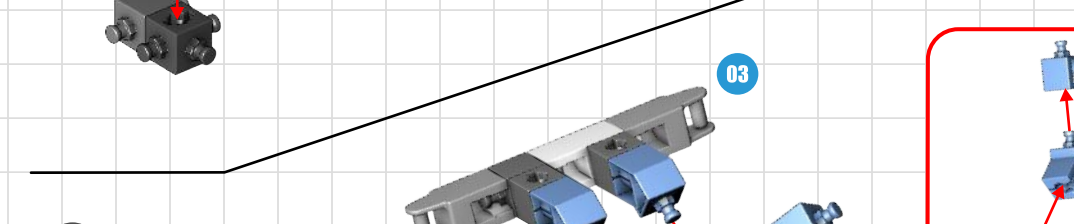
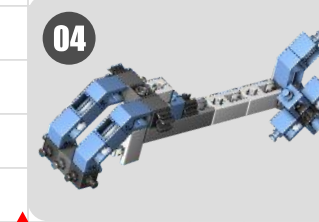
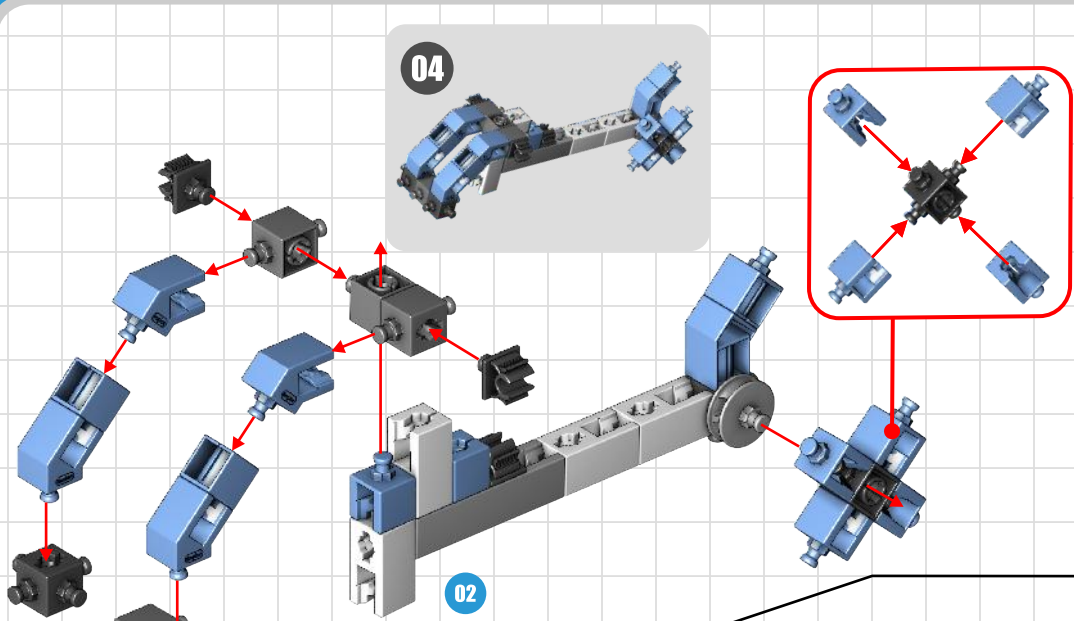


02





05



06

